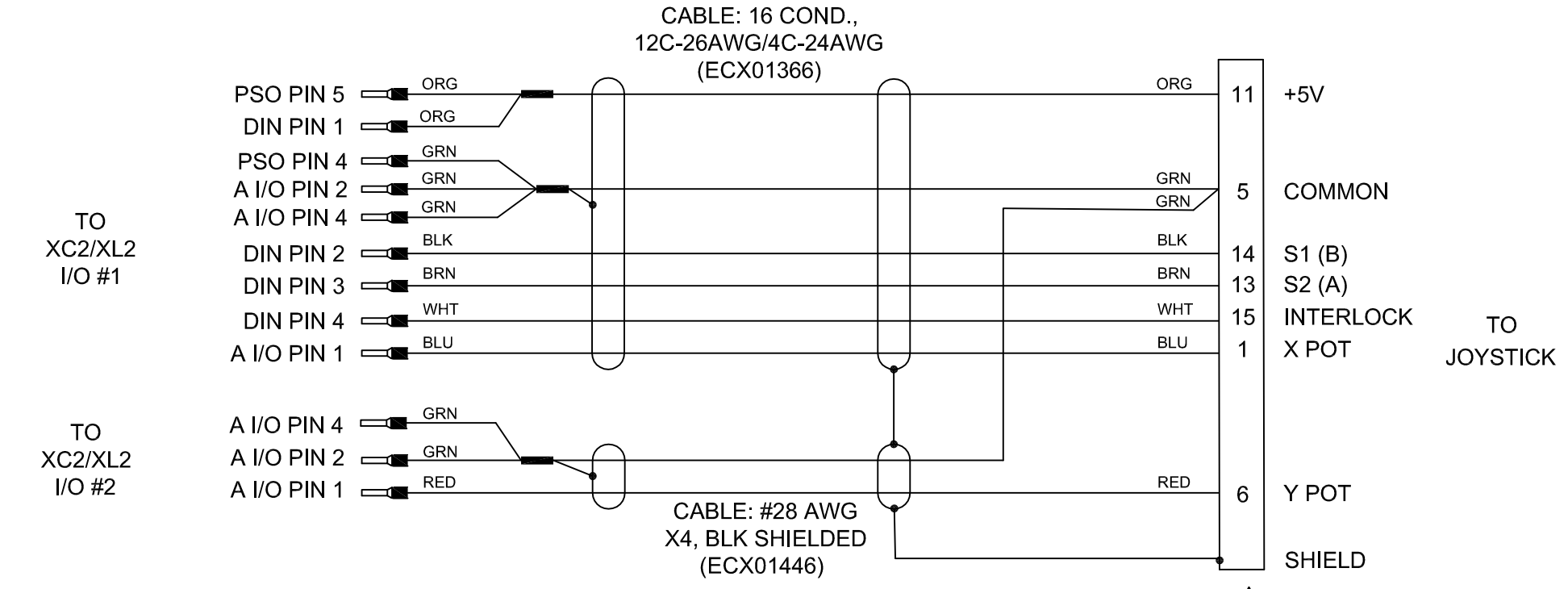
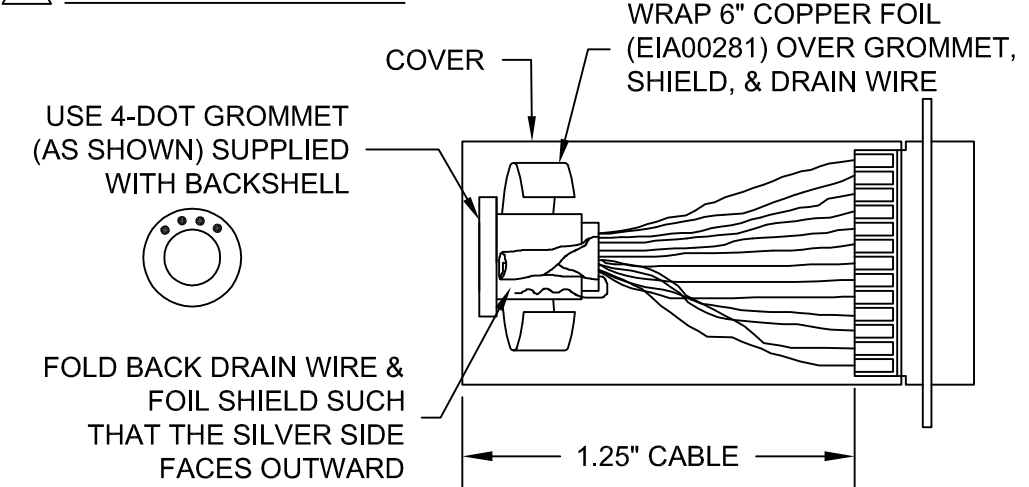


| REVISIONS | | | |
|-----------|--------------|-------|-------|
| REV. | DESCRIPTION | DATE | DRAWN |
| A | INITIAL REV. | 12/18 | AF |



NOTES:

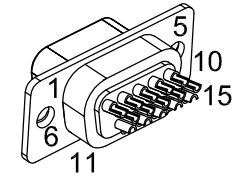
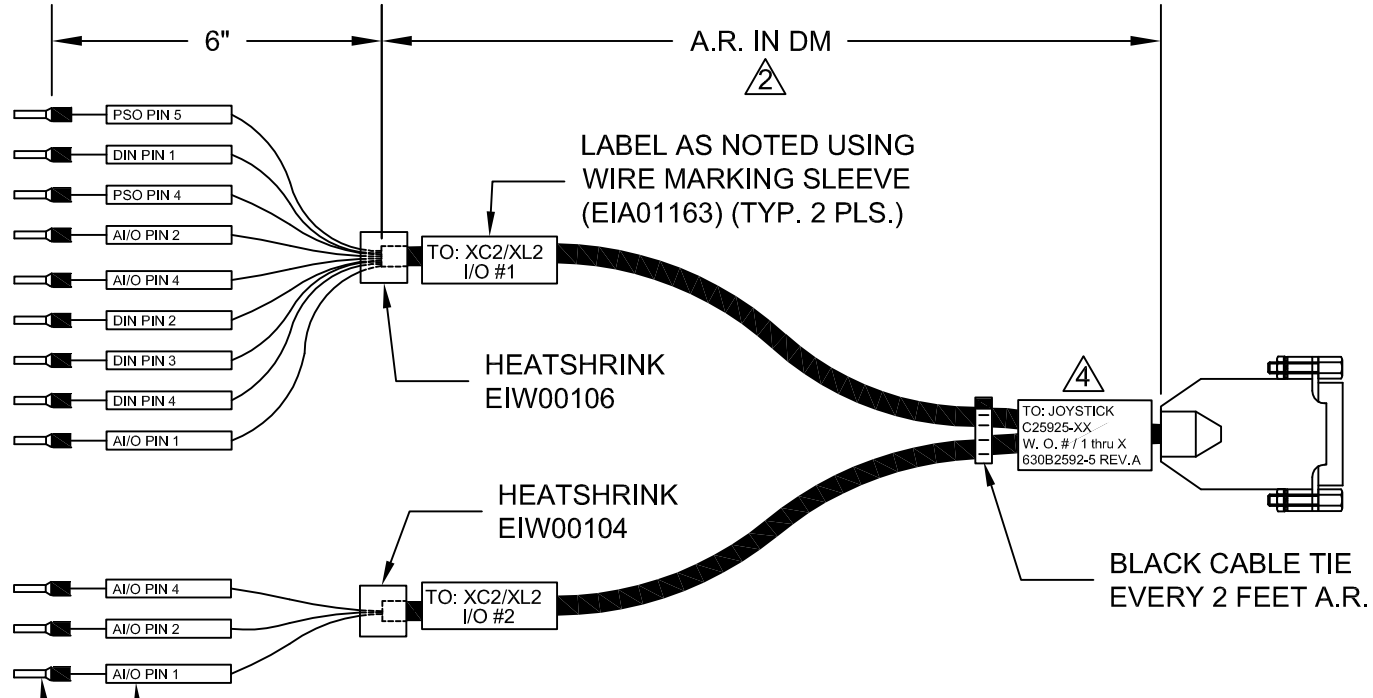
1. CONNECTOR SHIELDING



2. CABLE LENGTH

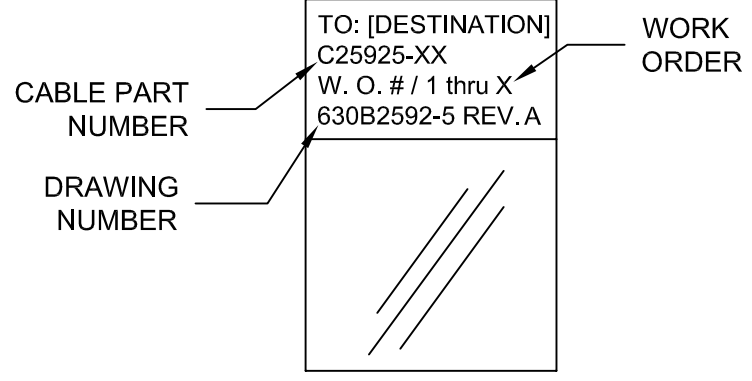
CAUTION, CABLE LENGTHS (XX) ARE IN DECIMETERS
EXAMPLE: PART NO. C25925-30 IS 30 DECIMETERS (3 METERS) = 10FT.

3.) ALL TOLERANCES ARE +/- .25"



15 PIN HIGH DENSITY FEMALE "D" CONNECTOR (ECK01206)
BACKSHELL (ECK01021)
JACKSOCKETS (ECK00129)

4. CABLE WRAP LABEL (EIA00113): APPLY LABELS IN FLAG FASHION SO THAT ALL TEXT IS VISIBLE.



LABEL AS NOTED USING WIRE MARKING SLEEVE (EIA01161) (TYP. 12 PLS.)

USE FERRULE EIK01259 (TYP. 12 PLS.)

PROPRIETARY INFORMATION
THIS DRAWING IS THE PROPERTY OF AEROTECH, INC. AND IS SUBMITTED IN CONFIDENCE AND SHALL NOT BE REPRODUCED NOR COPIED NOR DISCLOSED TO OTHERS UNDER PENALTY OF LAW.



AEROTECH, INC. 101 Zeta Drive
Pittsburgh, PA. 15238
www.aerotech.com

DUAL XC2/XL2 WITH I/O BD. JOYSTICK EXTENSION CABLE (JSXT-FLY FLY-15HDJS-MAX 300 DM)

| TOLERANCES ON | | |
|---------------|-----------------|---------|
| FRACTIONS | DECIMALS | ANGLES |
| 0 TO 6 3/32 | .XX ±01 | ± 0-30' |
| OVER 6 1/16 | .XXX ±005 | |
| RMS FINISH | EXCEPT AS NOTED | |

| | | | | | |
|---------|---------|-------|-----------|------------------------------|--------------|
| DRAWN | AF | 12/18 | PART CODE | SIZE | REV. |
| CHECKED | ZGK | 12/18 | C25925-XX | B | A |
| APPD. | JFM, NR | 12/18 | SCALE NTS | FILE NAME 630B2592-5SHT1.DWG | SHEET 1 of 1 |