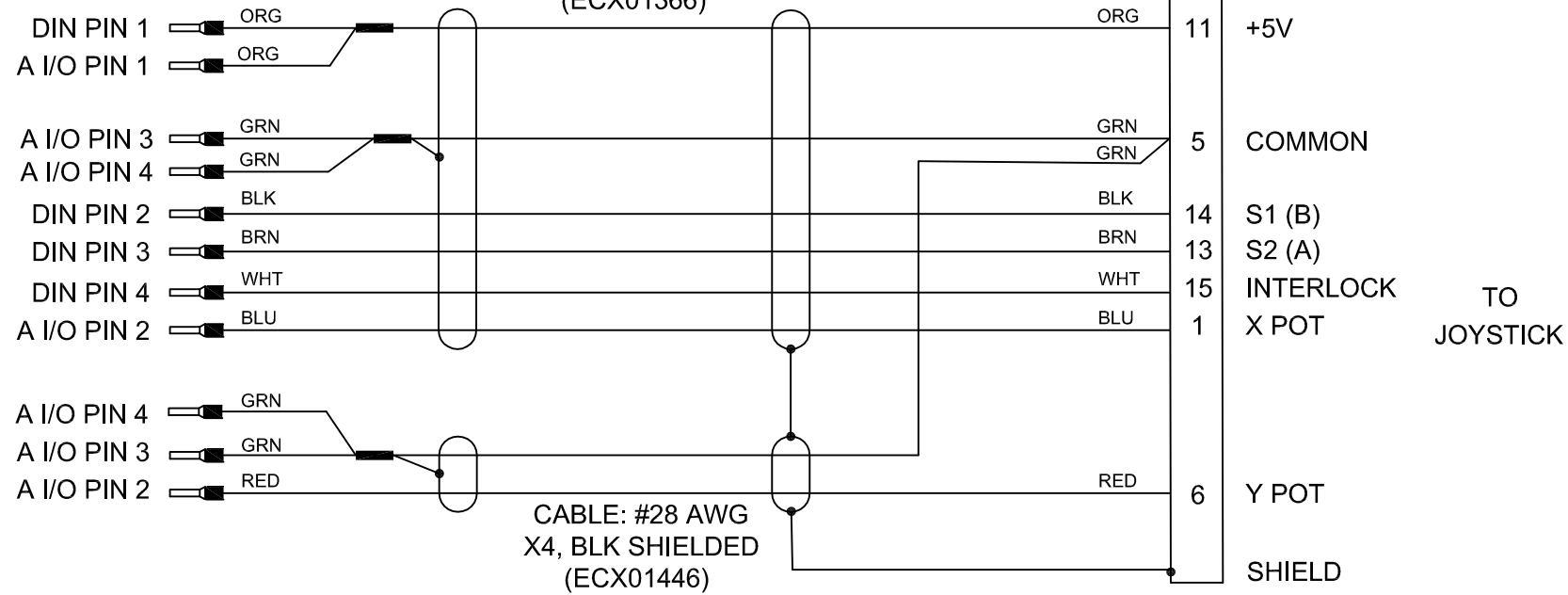


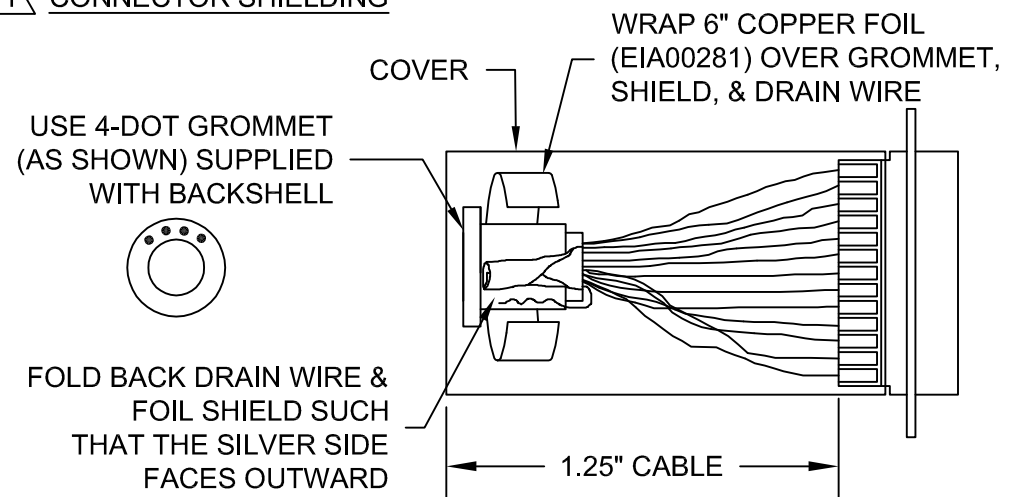
CABLE: 16 COND.,  
12C-26AWG/4C-24AWG  
(ECX01366)



| REVISIONS |                  |       |       |
|-----------|------------------|-------|-------|
| REV.      | DESCRIPTION      | DATE  | DRAWN |
| A         | INITIAL REV.     | 12/18 | AF    |
| B         | ADDED ECO0003056 | 5/19  | ZGK   |

NOTES:

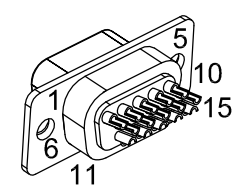
1. CONNECTOR SHIELDING



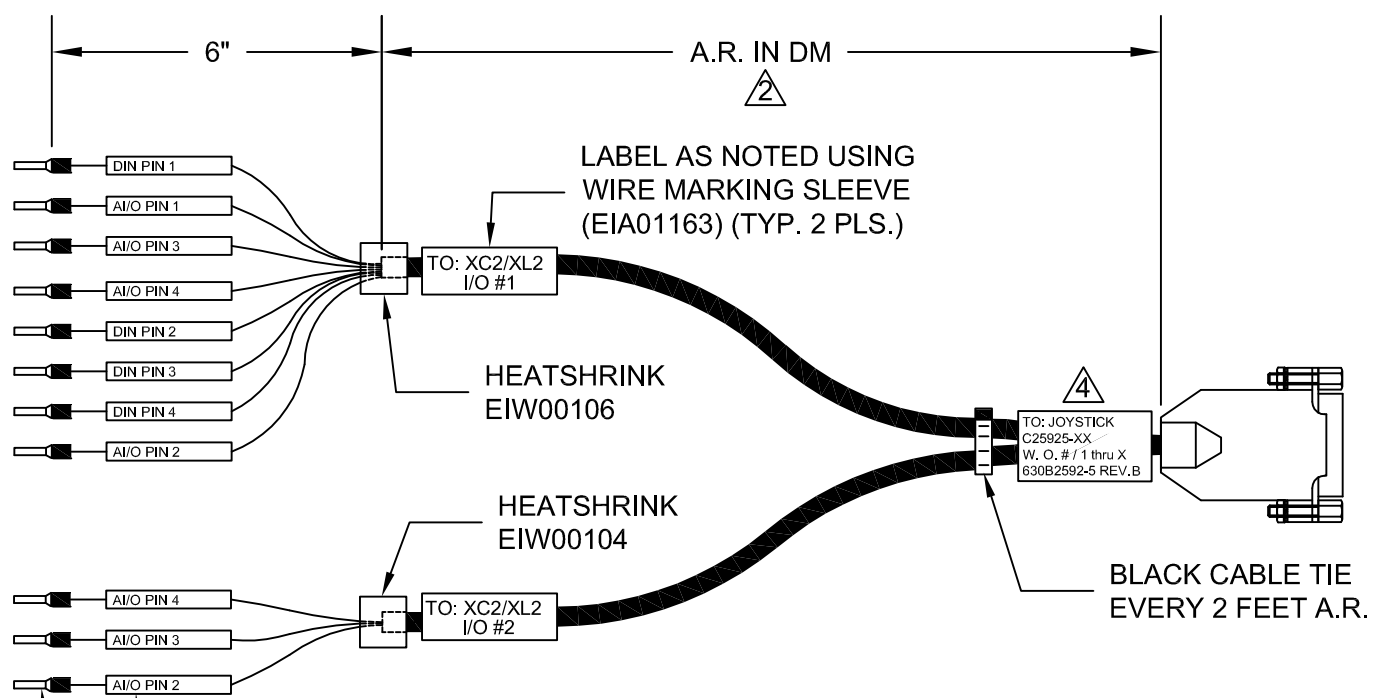
2. CABLE LENGTH

CAUTION, CABLE LENGTHS (XX) ARE IN DECIMETERS  
EXAMPLE: PART NO. C25925-30 IS 30 DECIMETERS (3 METERS) = 10FT.

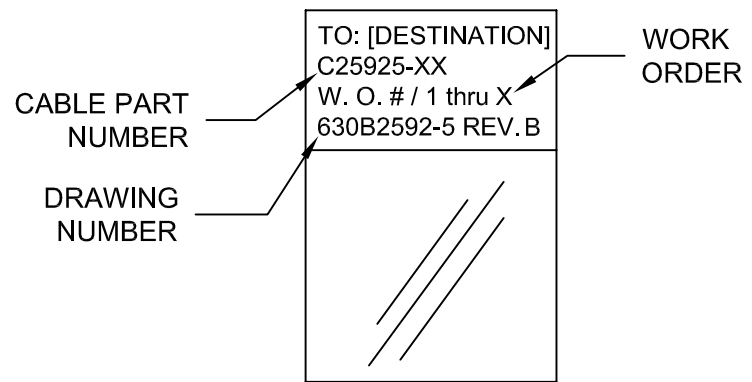
3.) ALL TOLERANCES ARE +/- .25"



15 PIN HIGH DENSITY FEMALE  
"D" CONNECTOR (ECK01206)  
BACKSHELL (ECK01021)  
JACKSOCKETS (ECK00129)



4. CABLE WRAP LABEL (EIA00113): APPLY LABELS IN FLAG FASHION SO THAT ALL TEXT IS VISIBLE.



PROPRIETARY INFORMATION  
THIS DRAWING IS THE PROPERTY  
OF AEROTECH, INC. AND IS  
SUBMITTED IN CONFIDENCE AND  
SHALL NOT BE REPRODUCED NOR  
COPIED NOR DISCLOSED TO OTHERS  
UNDER PENALTY OF LAW.



AEROTECH, INC. 101 Zeta Drive  
Pittsburgh, PA. 15238  
www.aerotech.com

| TOLERANCES ON |           |         |
|---------------|-----------|---------|
| FRACTIONS     | DECIMALS  | ANGLES  |
| 0 TO 6 ±1/32  | .XX ±01   | ± 0-30' |
| OVER 6 ±1/16  | .XXX ±005 |         |

RMS FINISH  EXCEPT AS NOTED

|         |         |       |
|---------|---------|-------|
| DRAWN   | AF      | 12/18 |
| CHECKED | ZGK     | 12/18 |
| APPD.   | JFM, NR | 12/18 |

**DUAL XC2/XL2 WITH I/O BD.  
JOYSTICK EXTENSION CABLE  
(JSXT-FLY FLY-15HDJS-MAX 300 DM)**

|           |                    |        |
|-----------|--------------------|--------|
| PART CODE | SIZE               | REV.   |
| C25925-XX | B                  | B      |
| SCALE NTS | FILE NAME          | SHEET  |
|           | 630B2592-5SHT1.DWG | 1 of 1 |