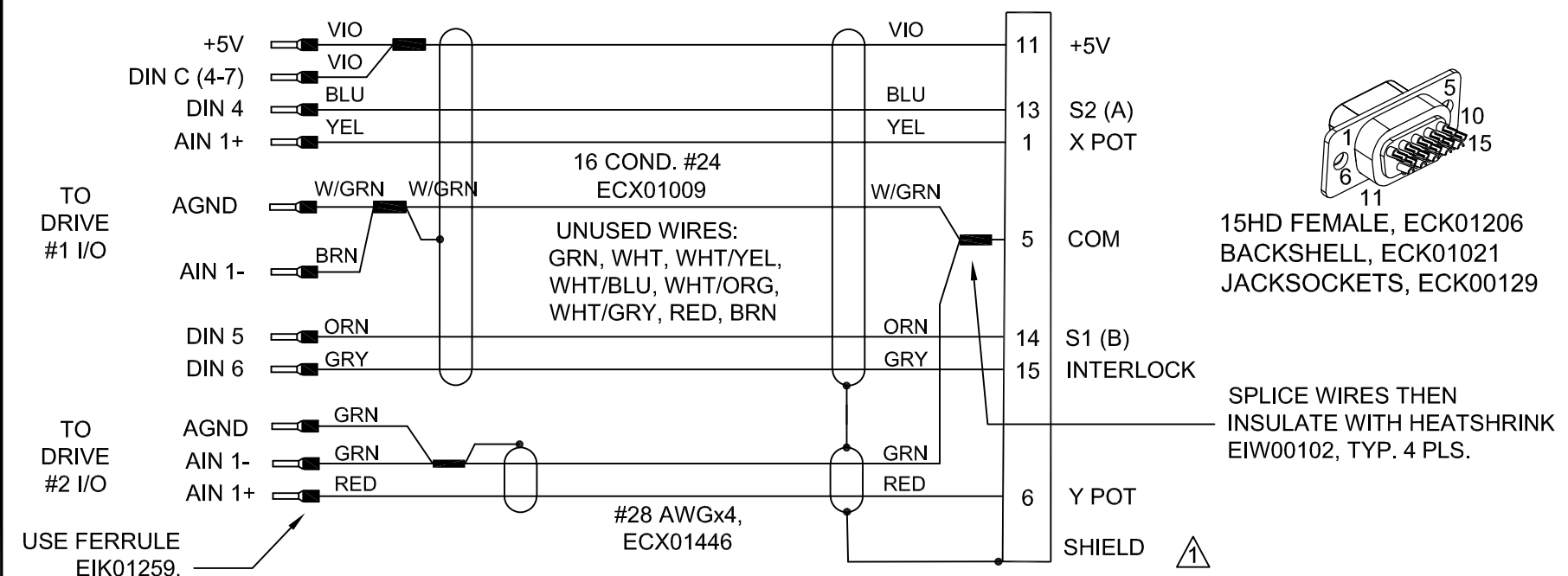


REVISIONS

REV.	DESCRIPTION	DATE	DRAWN
A	INITIAL REV.	9/22/2020	JFM



NOTES:

⚠️ CONNECTOR SHIELDING

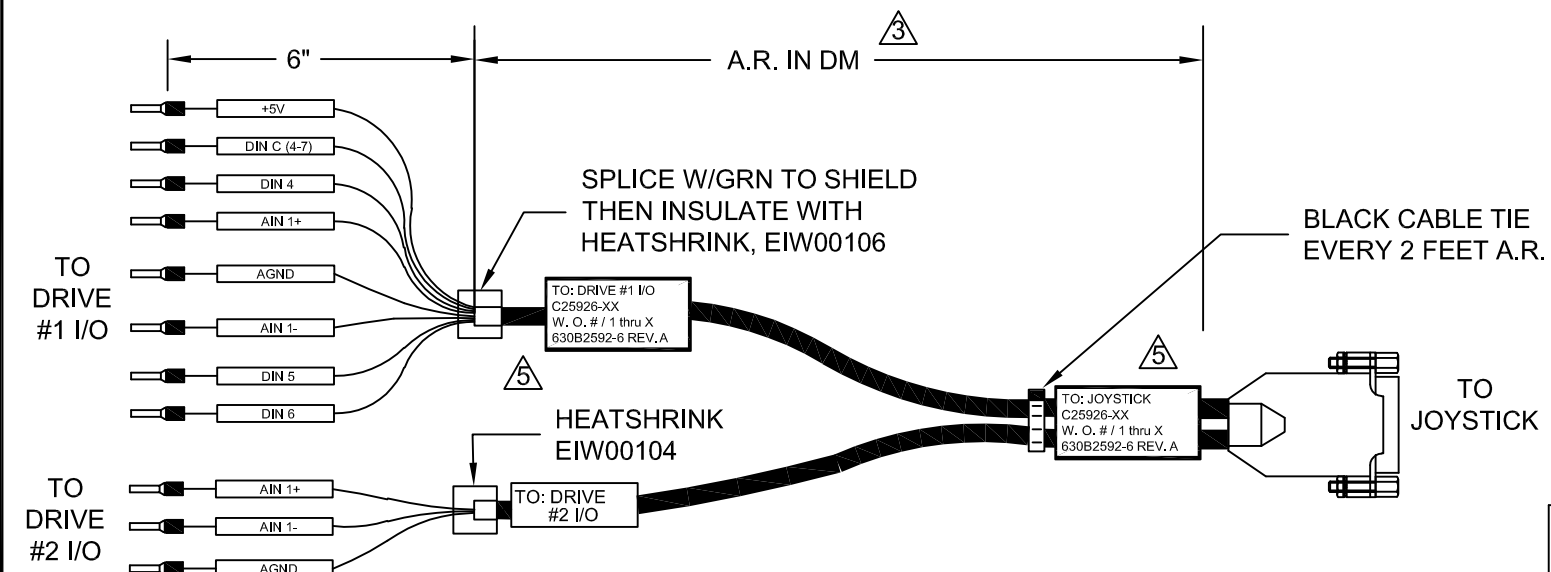
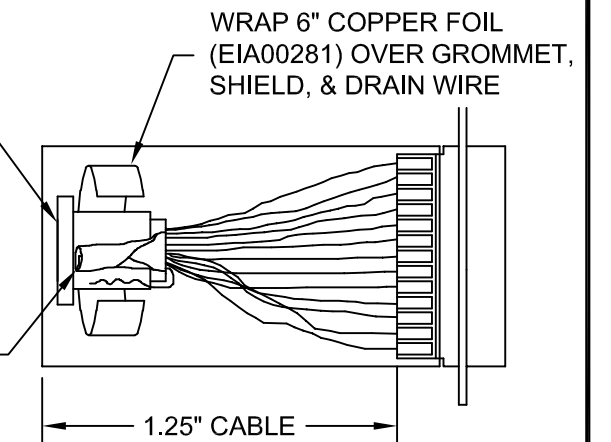
USE 4-DOT GROMMET (AS SHOWN) SUPPLIED WITH BACKSHELL

FOLD BACK DRAIN WIRE & FOIL SHIELD SUCH THAT THE SILVER SIDE FACES OUTWARD

⚠️ CABLE LENGTH

CAUTION, CABLE LENGTHS (XX) ARE IN DECIMETERS  
EXAMPLE: PART NO. C25926-30 IS 30 DECIMETERS (3 METERS) = 10FT.

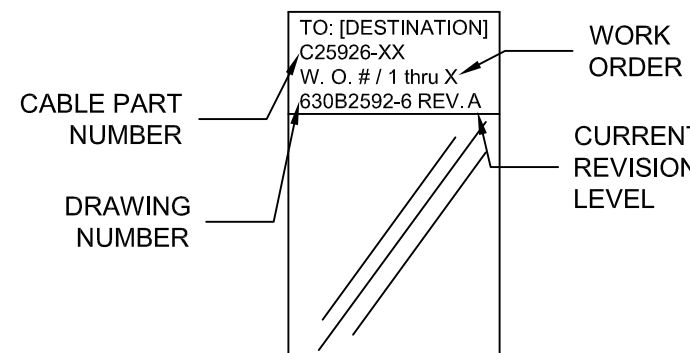
4.) ALL TOLERANCES ARE +/- 0.25"



LABEL AS NOTED USING WIRE MARKING SLEEVE, EIA01161, TYP. 11 PLS.

USE FERRULE EIK01259, TYP. 11 PLS.

⚠️ LABEL, EIA00113: APPLY LABELS IN FLAG FASHION SO THAT ALL TEXT IS VISIBLE.



PROPRIETARY INFORMATION  
THIS DRAWING IS THE PROPERTY OF AEROTECH, INC. AND IS SUBMITTED IN CONFIDENCE AND SHALL NOT BE REPRODUCED NOR COPIED NOR DISCLOSED TO OTHERS UNDER PENALTY OF LAW.



AEROTECH, INC. 101 Zeta Drive  
Pittsburgh, PA. 15238  
www.aerotech.com

TOLERANCES ON		
FRACTIONS	DECIMALS	ANGLES
0 TO 6 $\frac{1}{32}$	.XX $\pm 01$	$\pm 0-30'$
OVER 6 $\frac{1}{16}$	.XXX $\pm 005$	

RMS FINISH  EXCEPT AS NOTED

DRAWN	9/22/2020	JFM
CHECKED	9/22/2020	AGS
APPD.	9/22/2020	JFM

**XC4/XC5 TWO DRIVES WITH I/O BD'S  
JOYSTICK CABLE  
JSXT-FLY FLY-15HDJS-MAX300DM**

PART CODE	SIZE	REV.
C25926	B	A
FILE NAME	SHEET	1 of 1
630B2592-6.DWG		