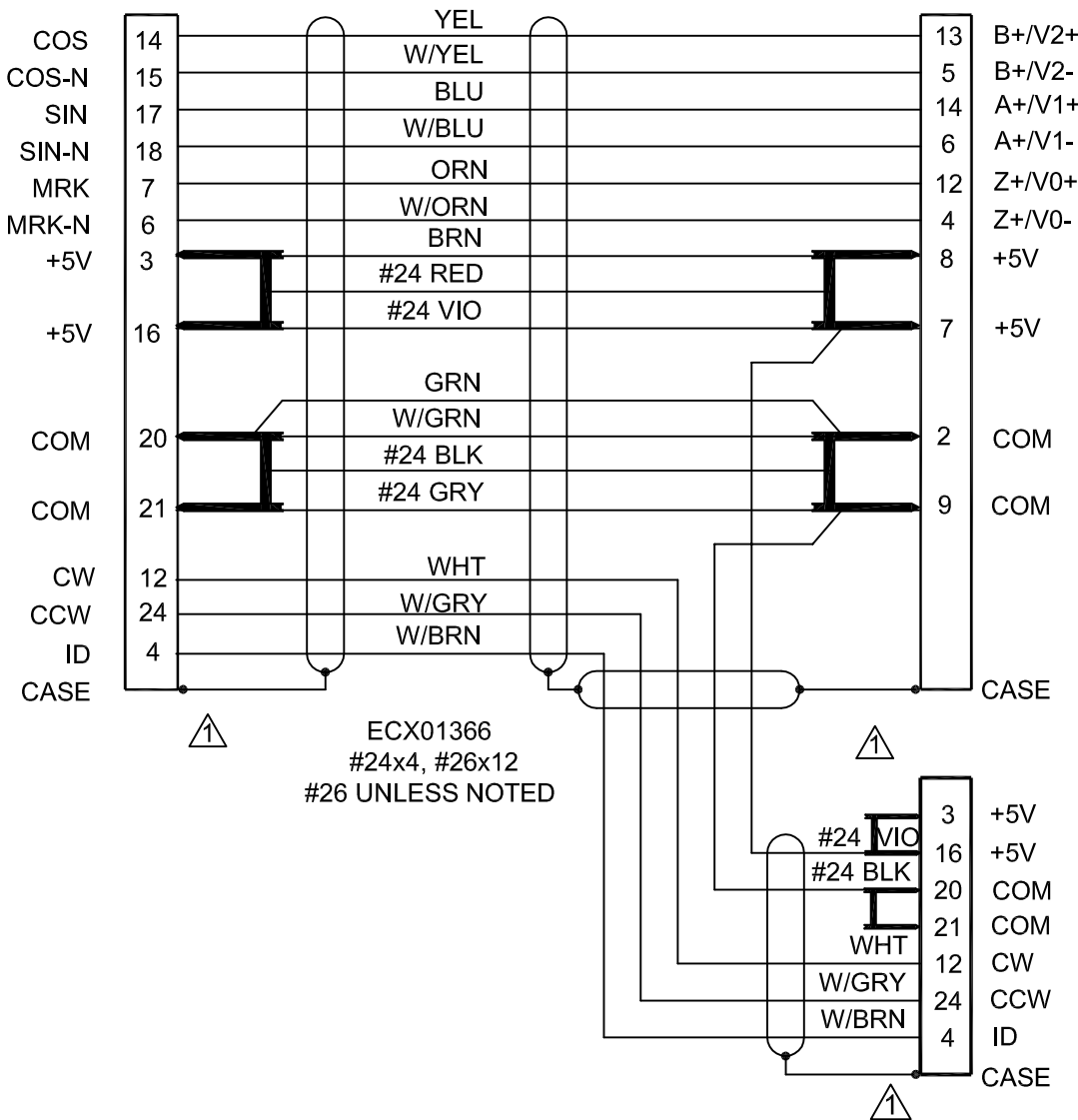


REVISIONS			
REV.	DESCRIPTION	DATE	DRAWN

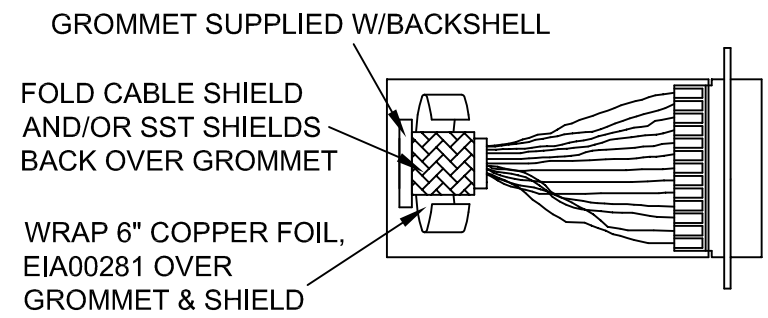
25D MALE, ECK00101
BACKSHELL, ECK00656
GOLD JUMPER x2, EIK00351



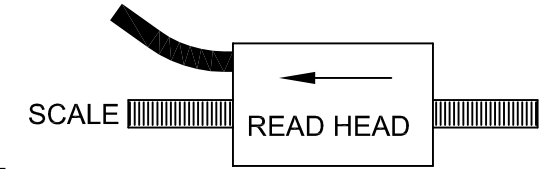
15D FEMALE, ECK00326
BACKSHELL, ECK01022
GOLD JUMPER x2, EIK00351

25D FEMALE, ECK00300
BACKSHELL, ECK00656
GOLD JUMPER, x2 EIK00351

1 SHIELD TERMINATION



2 REQUIRED ENCODER ORIENTATION



NOTE:
THIS DRAWING IS APPLICABLE WHEN CW TRAVEL PRODUCES SCALE OR ENCODER READHEAD MOTION AS SHOWN ABOVE (PUSH ENCODER CABLE)

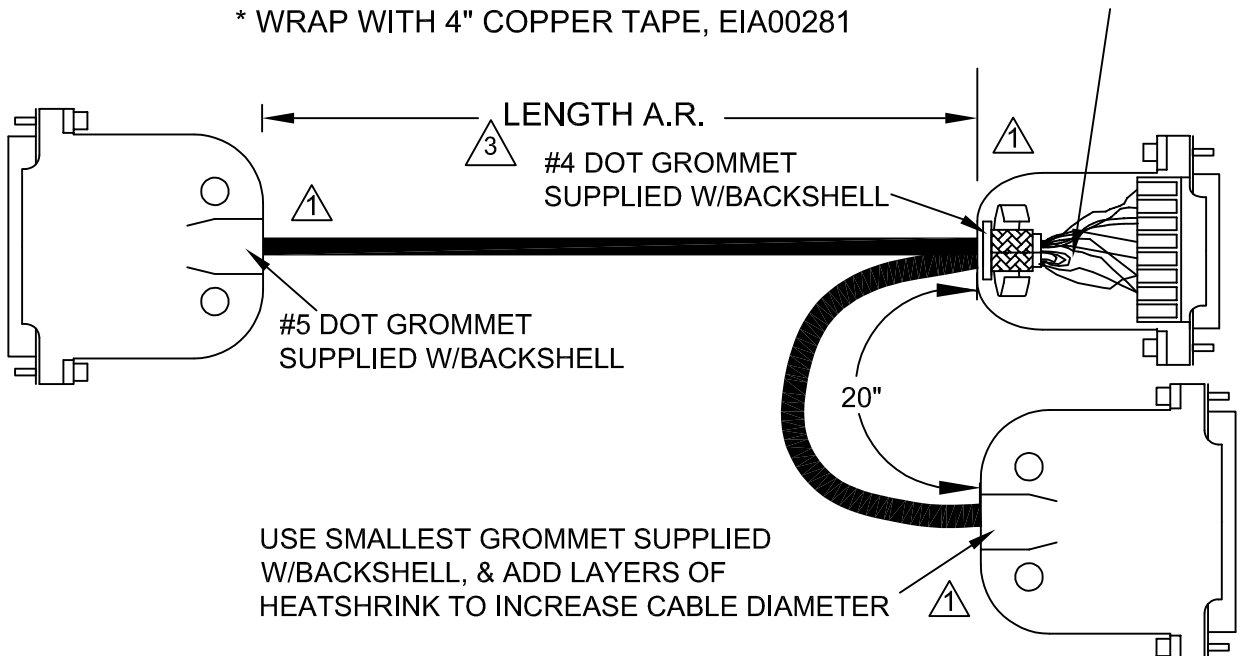
3 INITIAL ECX01366 CABLE LENGTH

STARTING CABLE LENGTH = 25" LONGER THAN A.R., TO ALLOW FOR LIMIT CABLE LOOP-THRU

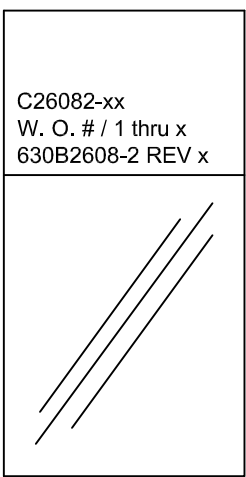
4 D-SUB CONNECTOR CONTACTS

INSULATE ALL D-SUB SOLDER CONNECTIONS WITH HEATSHRINK, TYPICALLY:
#20-22 AWG, EIW00100
#24-28 AWG, EIW00101

- * COVER LIMIT WIRES WITH SST SHRINK-N-SHIELD, ECX01317
- * LOOP LIMIT WIRES BACK OUT OF CONNECTOR
- * FOLD BOTH SHIELDS BACK OVER GROMMET WITH CONDUCTIVE SIDE FACING OUTWARD
- * WRAP WITH 4" COPPER TAPE, EIA00281



LABELS:
2 REQUIRED,
1 AT EACH END



PROPRIETARY INFORMATION
THIS DRAWING IS THE PROPERTY OF AEROTECH, INC. AND IS SUBMITTED IN CONFIDENCE AND SHALL NOT BE REPRODUCED NOR COPIED NOR DISCLOSED TO OTHERS UNDER PENALTY OF LAW.

TOLERANCES ON		
FRACTIONS	DECIMALS	ANGLES
0 TO 6 $\frac{1}{32}$.XX ± 01	$\pm 0-30'$
OVER 6 $\frac{1}{16}$.XXX ± 005	

RMS FINISH EXCEPT AS NOTED

DRAWN	JFM	1/4/2018
CHECKED	JAB	1/4/2018
APPD.	JFM	1/4/2018



AEROTECH, INC. 101 Zeta Drive
Pittsburgh, PA. 15238
(412)963-7470
www.aerotech.com

-TNCD AND FDBK (LIMITS)
(FOR FOLDBACK USE)
ENC FB-25D-25D 15D-TNCD-PSH-MAX91DM

PART CODE	SIZE	REV.
C26082	B	-
SCALE NTS	FILE NAME	SHEET 1 OF 1
	630B2608-2.Dwg	