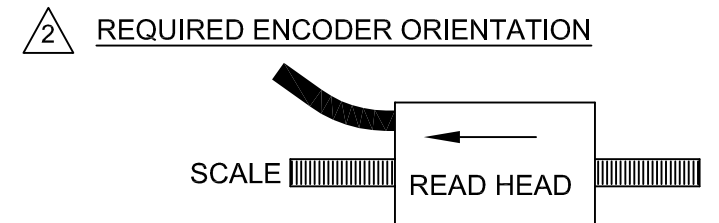
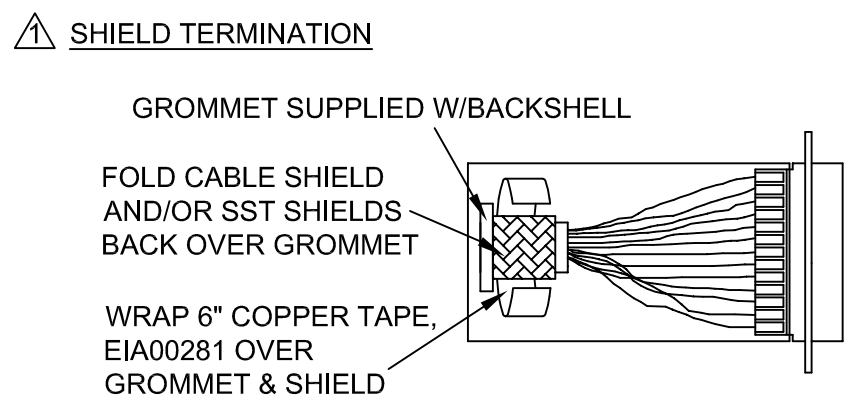
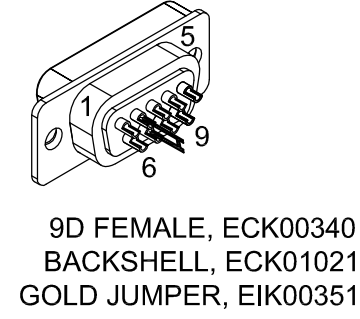
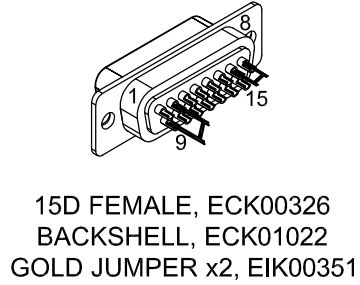
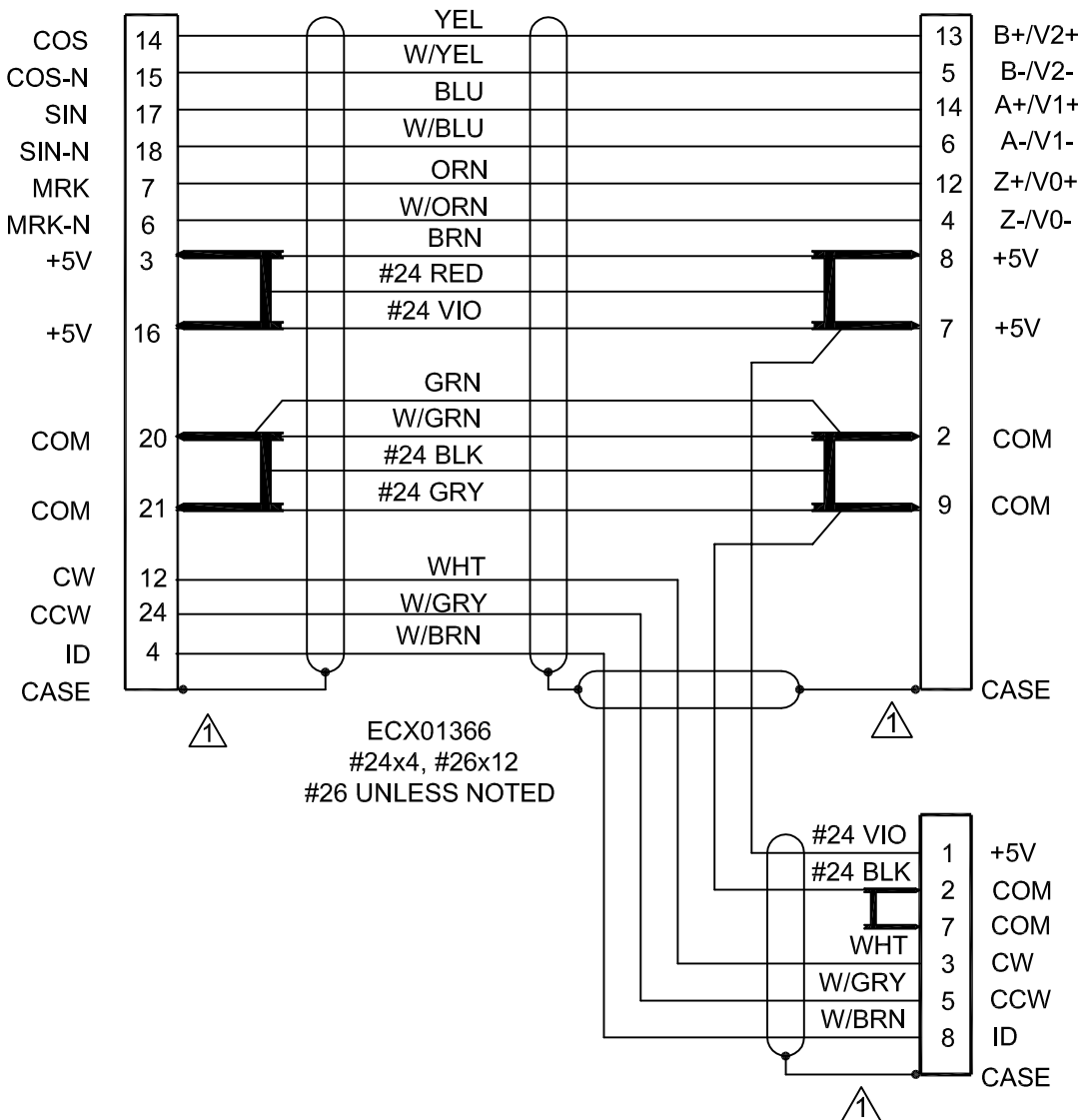
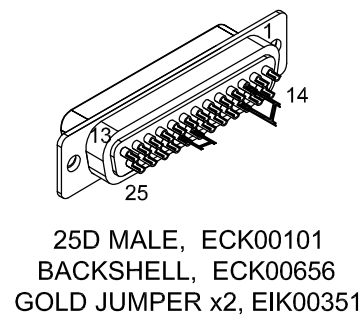
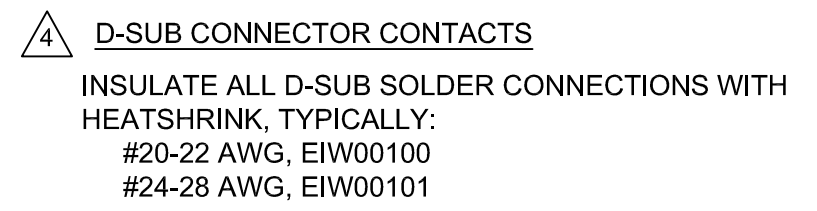
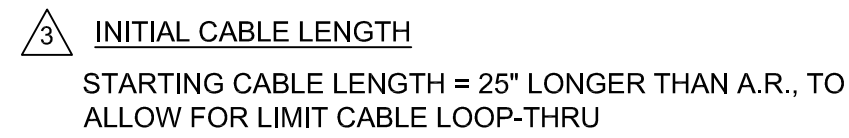


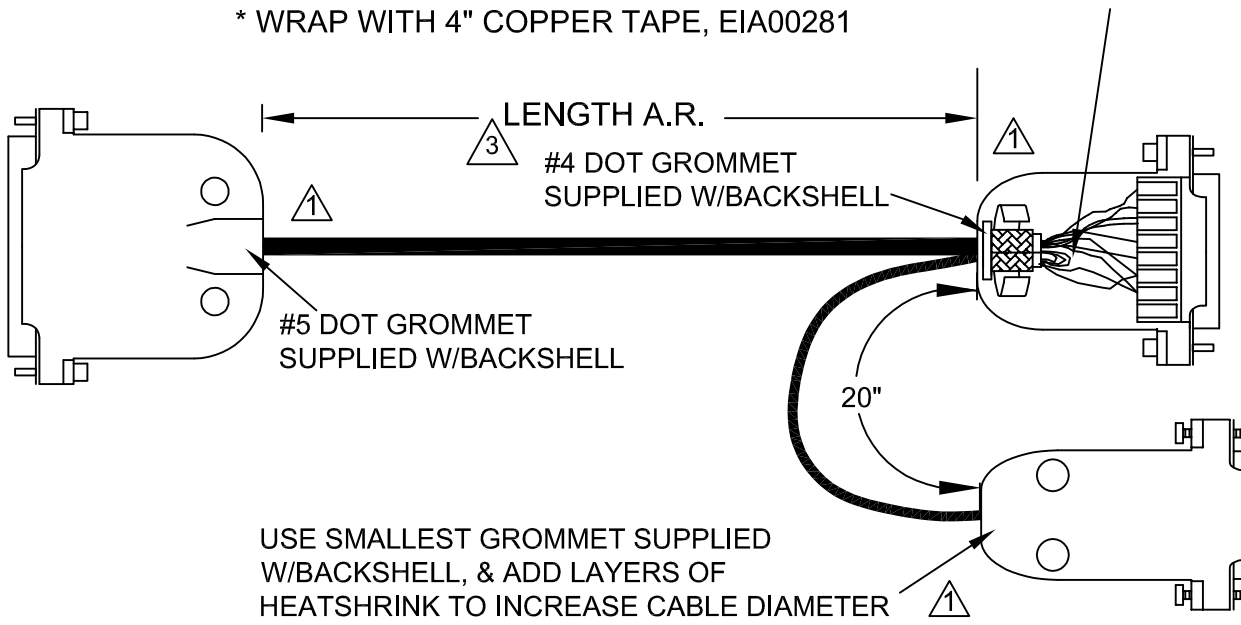
REVISIONS			
REV.	DESCRIPTION	DATE	DRAWN



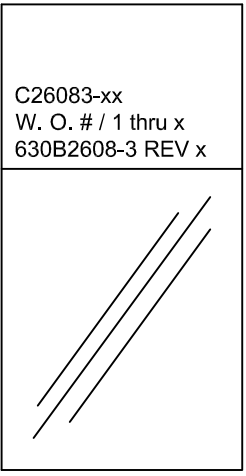
NOTE:
THIS DRAWING IS APPLICABLE WHEN CW TRAVEL PRODUCES SCALE OR ENCODER READHEAD MOTION AS SHOWN ABOVE (PUSH ENCODER CABLE)



- * COVER LIMIT WIRES WITH SST SHRINK-N-SHIELD, ECX01317
- * LOOP LIMIT WIRES BACK OUT OF CONNECTOR
- * FOLD BOTH SHIELDS BACK OVER GROMMET WITH CONDUCTIVE SIDE FACING OUTWARD
- * WRAP WITH 4" COPPER TAPE, EIA00281



LABELS:
2 REQUIRED



PROPRIETARY INFORMATION
THIS DRAWING IS THE PROPERTY OF AEROTECH, INC. AND IS SUBMITTED IN CONFIDENCE AND SHALL NOT BE REPRODUCED NOR COPIED NOR DISCLOSED TO OTHERS UNDER PENALTY OF LAW.

TOLERANCES ON		
FRACTIONS	DECIMALS	ANGLES
0 TO 6 $\frac{1}{32}$.XX ± 01	$\pm 0-30'$
OVER 6 $\frac{1}{16}$.XXX ± 005	

RMS FINISH		EXCEPT AS NOTED
------------	--	-----------------

DRAWN	JFM	1/4/2018
CHECKED	JAB	1/4/2018
APPD.	JFM	1/4/2018

AEROTECH, INC. 101 Zeta Drive
Pittsburgh, PA. 15238
(412)963-7470
www.aerotech.com

**-TNCD AND FDBK (LIMITS)
(FOR FOLDBACK USE)**
ENC FB-25D-9D 15D-TNCD-PSH-MAX91DM

PART CODE	SIZE	REV.
C26083	B	-
SCALE NTS	FILE NAME	SHEET 1 OF 1
	630B2608-3.Dwg	