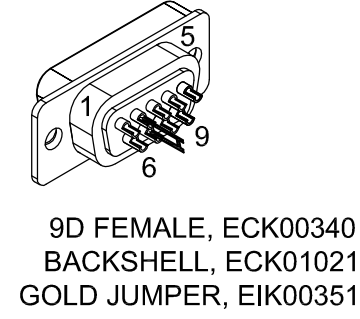
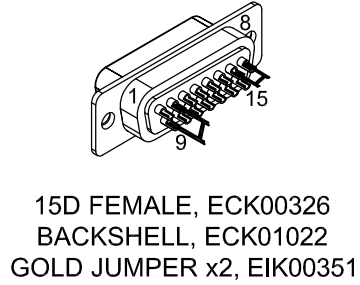
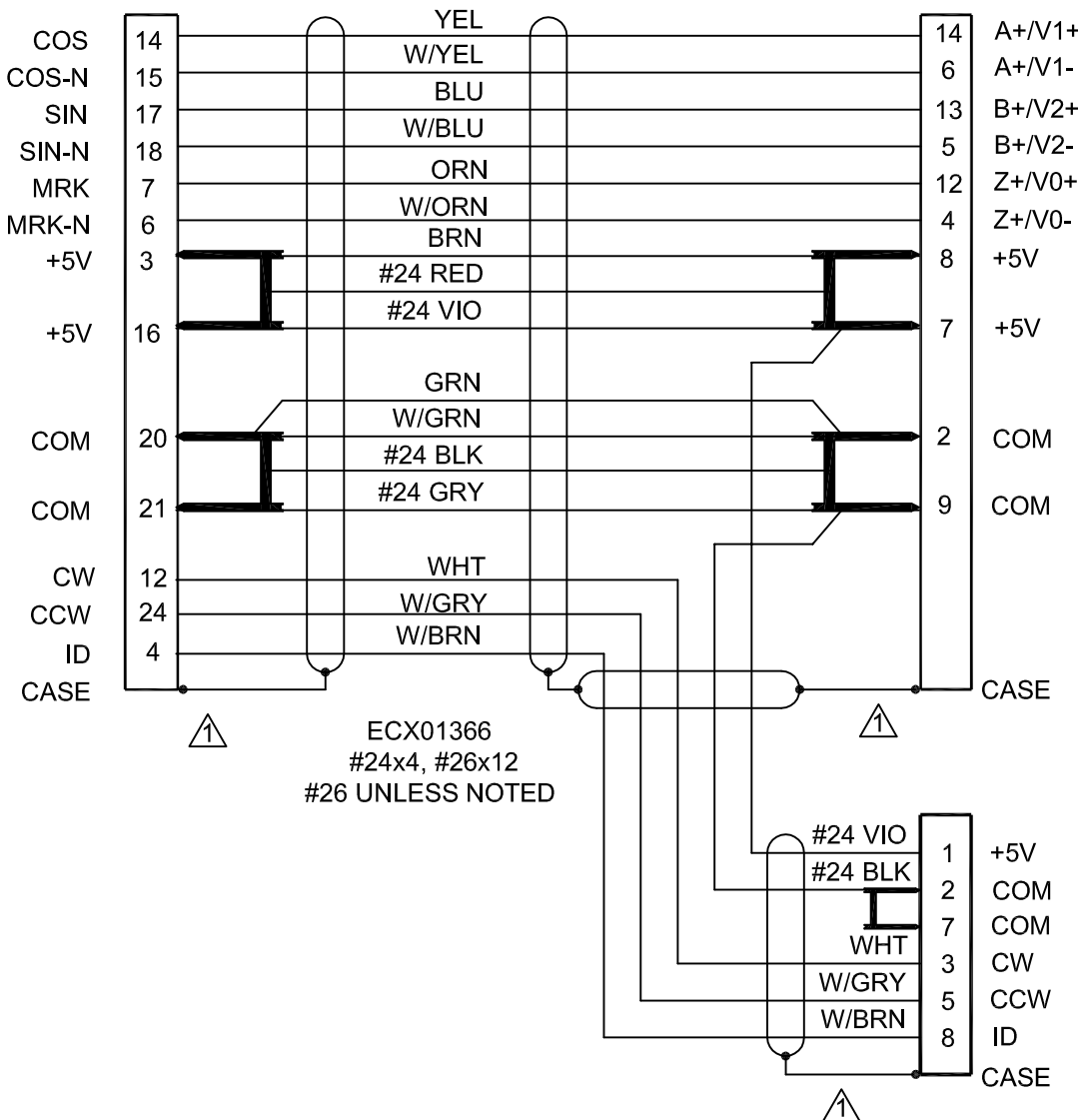
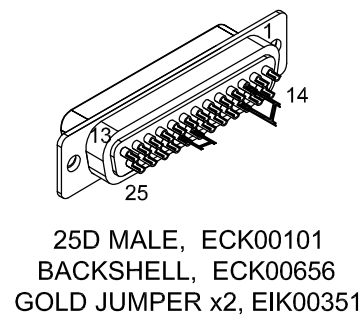
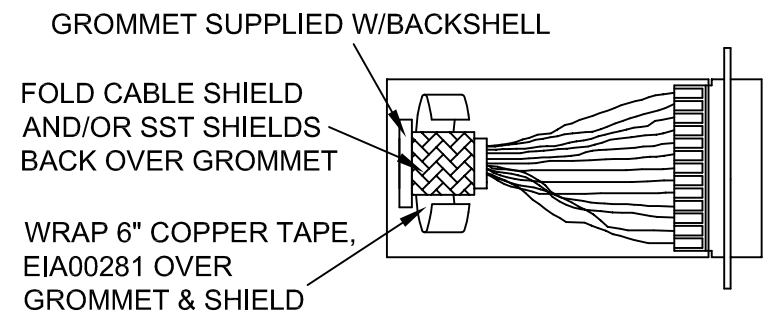


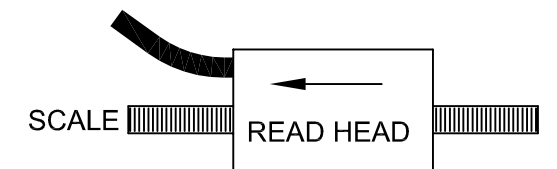
REVISIONS			
REV.	DESCRIPTION	DATE	DRAWN



1 SHIELD TERMINATION



2 REQUIRED ENCODER ORIENTATION



NOTE:
THIS DRAWING IS APPLICABLE WHEN CW TRAVEL PRODUCES SCALE OR ENCODER READHEAD MOTION AS SHOWN ABOVE (PUSH ENCODER CABLE)

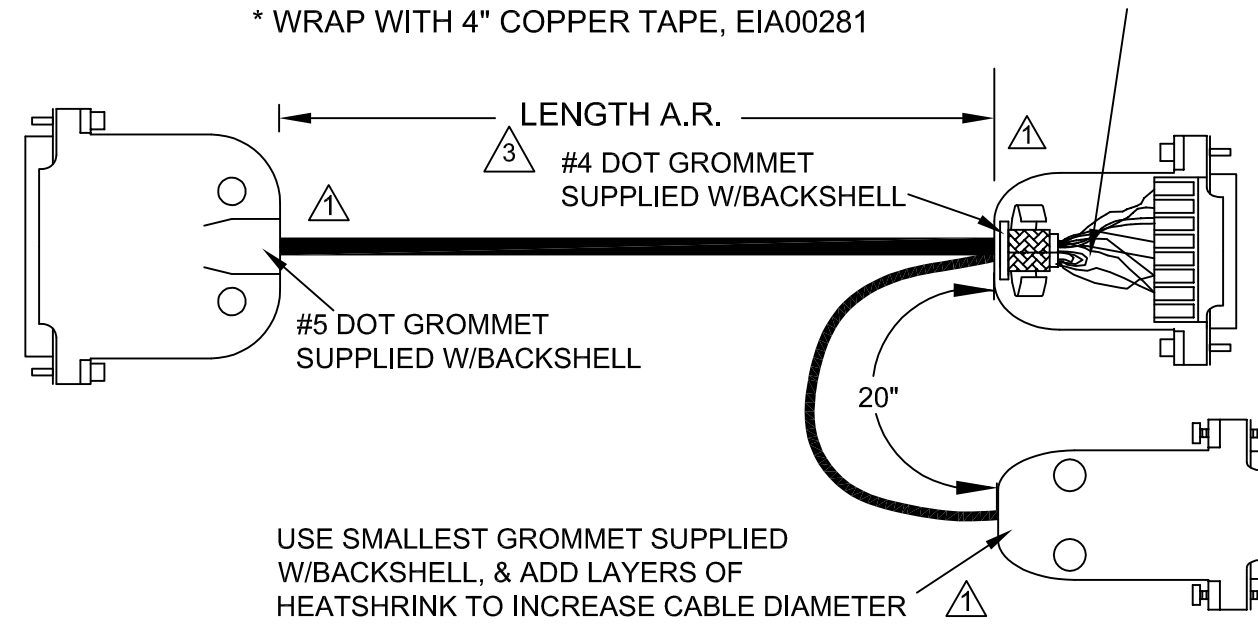
3 INITIAL CABLE LENGTH

STARTING CABLE LENGTH = 25" LONGER THAN A.R., TO ALLOW FOR LIMIT CABLE LOOP-THRU

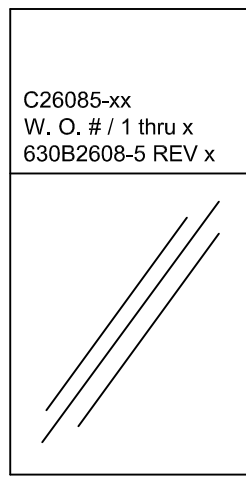
4 D-SUB CONNECTOR CONTACTS

INSULATE ALL D-SUB SOLDER CONNECTIONS WITH HEATSHRINK, TYPICALLY:
#20-22 AWG, EIW00100
#24-28 AWG, EIW00101

- * COVER LIMIT WIRES WITH SST SHRINK-N-SHIELD, ECX01317
- * LOOP LIMIT WIRES BACK OUT OF CONNECTOR
- * FOLD BOTH SHIELDS BACK OVER GROMMET WITH CONDUCTIVE SIDE FACING OUTWARD
- * WRAP WITH 4" COPPER TAPE, EIA00281



LABELS:
3 REQUIRED



PROPRIETARY INFORMATION
THIS DRAWING IS THE PROPERTY OF AEROTECH, INC. AND IS SUBMITTED IN CONFIDENCE AND SHALL NOT BE REPRODUCED NOR COPIED NOR DISCLOSED TO OTHERS UNDER PENALTY OF LAW.

TOLERANCES ON		
FRACTIONS	DECIMALS	ANGLES
0 TO 6 $\frac{1}{32}$.XX ± 01	$\pm 0-30'$
OVER 6 $\frac{1}{16}$.XXX ± 005	

RMS FINISH		EXCEPT AS NOTED
------------	--	-----------------

DRAWN	JFM	12/6/2017
CHECKED	JAB	12/6/2017
APPD.	JFM	12/6/2017



AEROTECH, INC. 101 Zeta Drive
Pittsburgh, PA. 15238
(412)963-7470
www.aerotech.com

-TNCD AND STD. FDBK (LIMITS, ID)
TO STD. FEEDBACK CABLE
ENC FB-25D-9D 15D-TNCD-PSH-MAX91DM

PART CODE	SIZE	REV.
C26085	B	-
SCALE NTS	FILE NAME	SHEET 1 OF 1
	630B2608-5.Dwg	