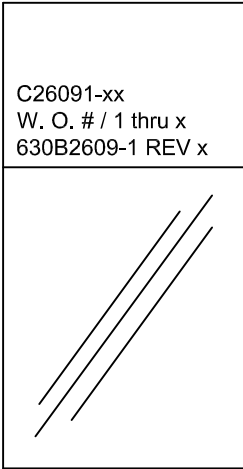
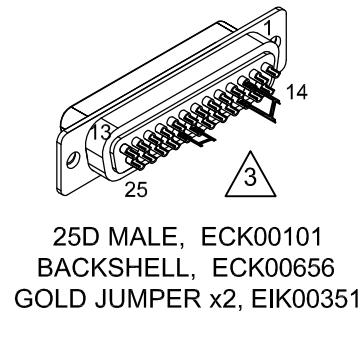


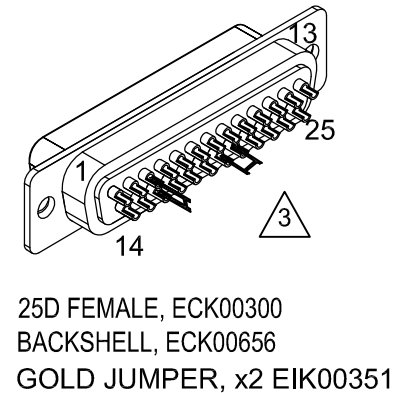
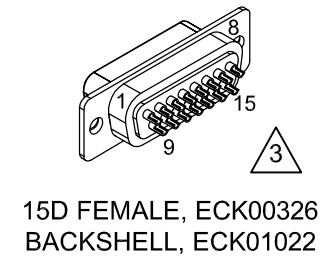
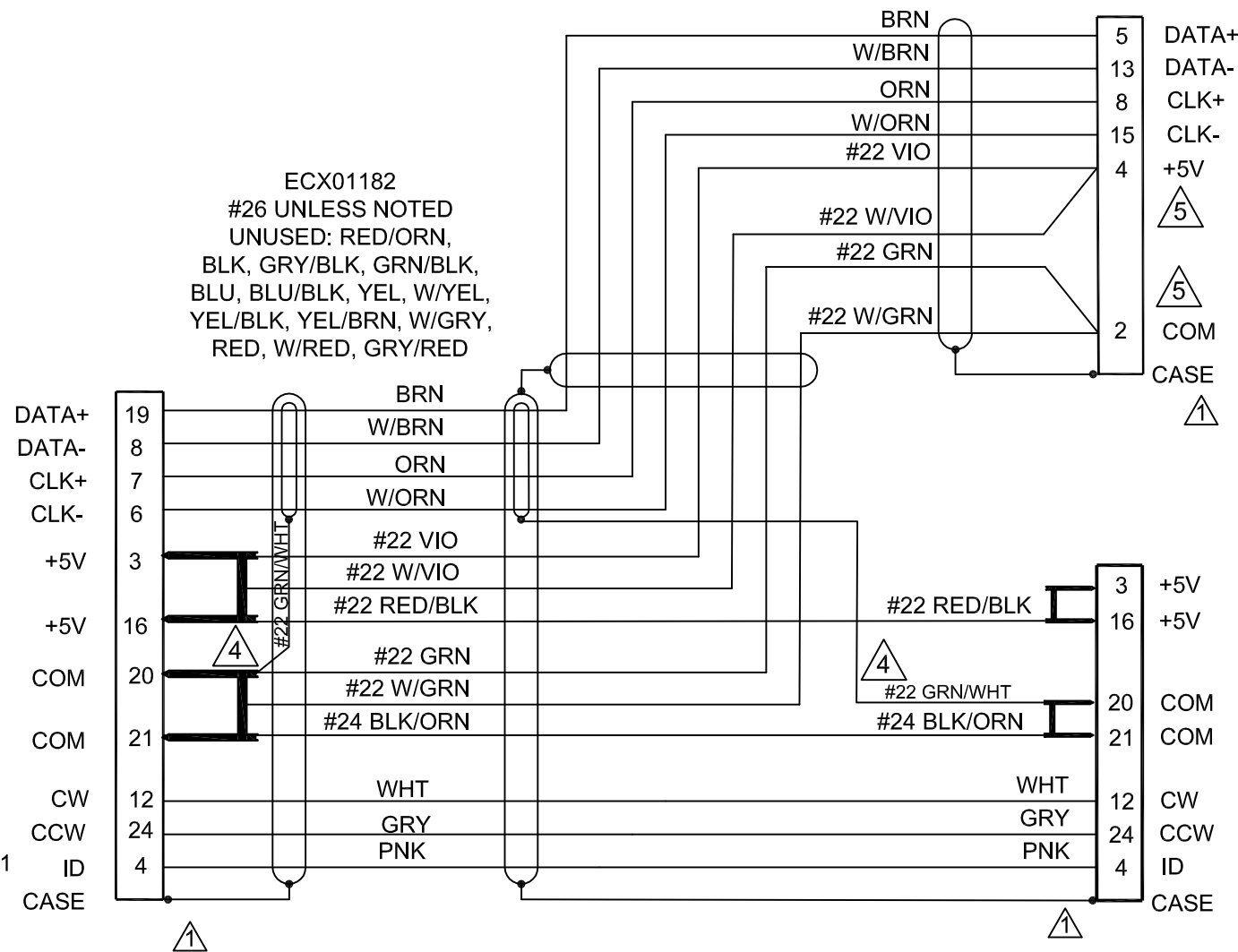
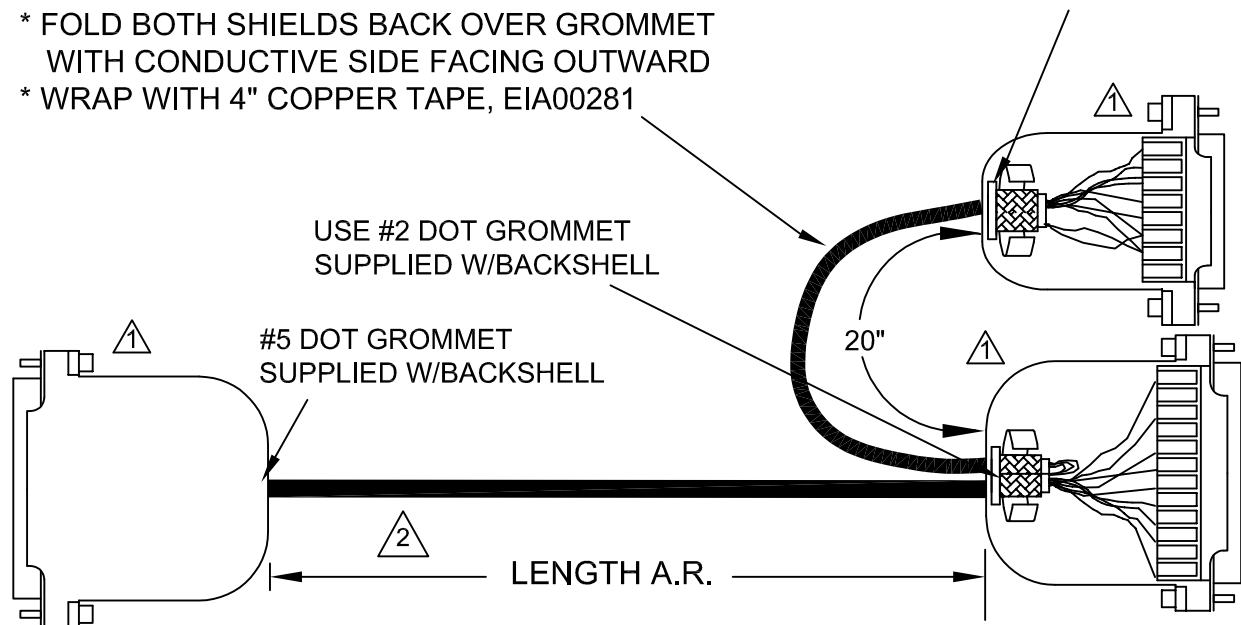
LABELS:
2 REQUIRED,
1 AT EACH END



CABLE WRAP LABEL: EIA00113



- * COVER ABS ENCODER WIRES WITH SST SHRINK-N-SHIELD, ECX01017
- * LOOP ENCODER WIRES BACK OUT OF CONNECTOR
- * FOLD BOTH SHIELDS BACK OVER GROMMET WITH CONDUCTIVE SIDE FACING OUTWARD
- * WRAP WITH 4" COPPER TAPE, EIA00281



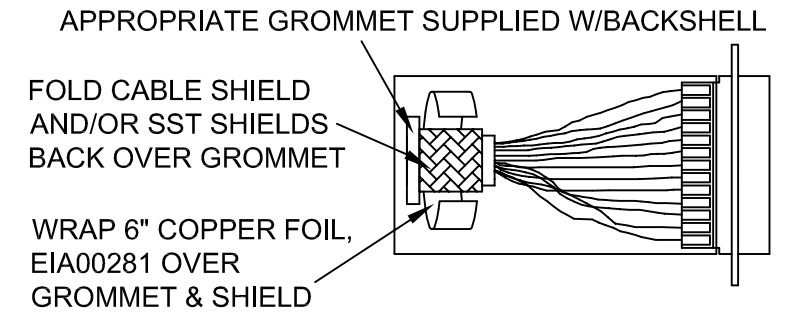
5 Double wire connections at 15D-Sub

Solder splice the 2 wires to the solid-colored wire and terminate at the connector.

REVISIONS

REV.	DESCRIPTION	DATE	DRAWN
A	Added ECO 2257	9/5/2018	JFM
B	Added ECO 2385	10/18/2018	JFM

1 OUTER SHIELD & SHRINK-N-SHIELD TERMINATION



2 INITIAL CABLE LENGTH

STARTING CABLE LENGTH = 25" LONGER THAN A.R., TO ALLOW FOR ENCODER WIRE LOOP-THRU

3 D-SUB CONNECTOR CONTACTS

INSULATE ALL D-SUB SOLDER CONNECTIONS WITH HEATSHRINK, TYPICALLY:
#20-22 AWG, EIW00100
#24-28 AWG, EIW00101

4 INNER SHIELD TERMINATION

- UNWRAP INNER FOIL SHIELD AS FAR BACK AS POSSIBLE.
- SOLDER & SPLICE INNER DRAIN WIRE TO #22 GRN/WHT WIRE. WRAP INNER FOIL SHIELD OVER SOLDER-SPLICE.
- COVER INNER BUNDLE, SPLICE & INNER SHIELD WITH SHRINK TUBING AS FAR IN CABLE AS POSSIBLE.
- SOLDER GRN/WHT WIRE TO JUMPER AT PINS 20, 21.

NOTE: INNER SHIELD MUST NOT TOUCH OUTER SHIELD OR BACKSHELL.

PROPRIETARY INFORMATION
THIS DRAWING IS THE PROPERTY OF AEROTECH, INC. AND IS SUBMITTED IN CONFIDENCE AND SHALL NOT BE REPRODUCED NOR COPIED NOR DISCLOSED TO OTHERS UNDER PENALTY OF LAW.



AEROTECH, INC. 101 Zeta Drive
Pittsburgh, PA. 15238
(412)963-7470
www.aerotech.com

TOLERANCES ON		
FRACTIONS	DECIMALS	ANGLES
0 TO 6 $\frac{1}{32}$.XX ± 0.1	$\pm 0-30'$
OVER 6 $\frac{1}{16}$.XXX ± 0.05	

RMS FINISH EXCEPT AS NOTED

**ABS. AND STD. FDBK (LIMITS, ID) TO STD. FEEDBACK CABLE
ABS FB-25D-25D 15D-MAX116DM**

DRAWN	JFM	12/18/2017
CHECKED	JAB	12/18/2017
APPD.	JFM	12/18/2017

PART CODE	SIZE	REV.
C26091	B	B
630B2609-1		

SCALE NTS FILE NAME 630B2609-1.Dwg SHEET 1 OF 1