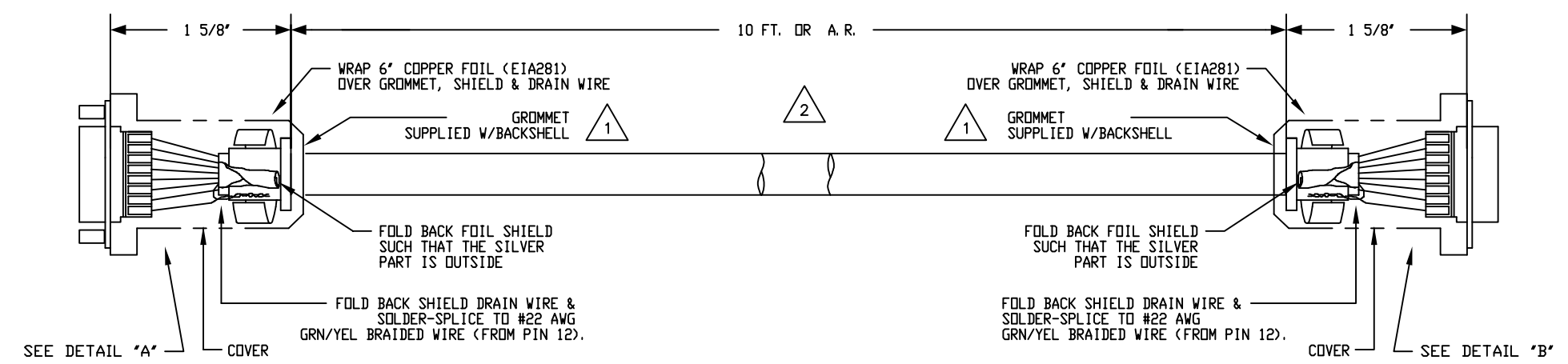


REVISIONS				
REV.	ZONE	DESCRIPTION	DATE	APPROVAL
A		ADDED MORE DETAILS	9-25-00	LTL
B		ADDED ECN5487	3-19-01	LTL

15 PIN 'D' FEMALE DA-15S (ECK326) BACKSHELL #17-1725-2 (ECK1022) JACKSOCKET #207719-3 (ECK129)				15 PIN 'D' MALE DA-15P (ECK100) BACKSHELL #17-1725-2 (ECK1022)			
10 COND. #22 SHIELDED 630B1145 (ECX428)				(STANDARD) 10 COND. #22 SHIELDED 630B1145 (ECX428)			
10 COND. #20 SHIELDED (ECX1051) (OPTIONAL)				10 COND. #20 SHIELDED (ECX1051) (OPTIONAL)			
PIN	WIRE	WIRE	SIGNAL	SIGNAL	WIRE	WIRE	SOCKET
13	W/RED	#20 RED	JOYSTICK BUTTON C	JOYSTICK BUTTON C	#20 RED	W/RED	13
12	SHIELD	SHIELD	SHIELD	SHIELD	SHIELD	SHIELD	12
11	-	-	-	-	-	-	11
10	-	-	-	-	-	-	10
9	-	-	-	-	-	-	9
8	-	-	-	-	-	-	8
7	W/GRN	#20 GRN	JOYSTICK BUTTON B	JOYSTICK BUTTON B	#20 GRN	W/GRN	7
6	W/YEL	#20 ORN	JOYSTICK POTENTIOMETER 2	JOYSTICK POTENTIOMETER 2	#20 ORN	W/YEL	6
5	-	-	-	-	-	-	5
4	VIO	#20 VIO	COMMON	COMMON	#20 VIO	VIO	4
3	TAN	#20 WHT	JOYSTICK POTENTIOMETER 1	JOYSTICK POTENTIOMETER 1	#20 WHT	TAN	3
2	BRN	#20 BRN	JOYSTICK BUTTON A	JOYSTICK BUTTON A	#20 BRN	BRN	2
1	YEL	#20 YEL	+5V	+5V	#20 YEL	YEL	1

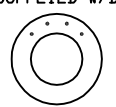
UNUSED WIRES (ECX428): W/ORN,W/BRN,W/GRY
UNUSED WIRES (ECX1051): BLK,BLU,GRY



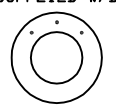
3 Cable Lengths in units of feet, JP4X-16 = 16 feet

2 STARTING CABLE LENGTH = 1 FT LONGER THAN REQUIRED LENGTH.

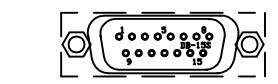
1 FOR (ECX428) (STANDARD)
USE #4 GROMMET WITH 4 DOTS AS SHOWN BELOW
WHICH IS SUPPLIED W/BACKSHELL



FOR (ECX1051) (OPTIONAL)
USE #3 GROMMET WITH 3 DOTS AS SHOWN BELOW
WHICH IS SUPPLIED W/BACKSHELL

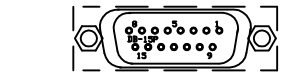


'D' FEMALE CONNECTOR DETAILS



DETAIL "A"
VIEWED FROM WIRE SIDE OF CONNECTOR
'D' FEMALE CONNECTOR

'D' MALE CONNECTOR DETAILS



DETAIL "B"
VIEWED FROM WIRE SIDE OF CONNECTOR
'D' MALE CONNECTOR

PROPRIETARY INFORMATION
THIS DRAWING IS THE PROPERTY
OF AEROTECH, INC. AND IS
SUBMITTED IN CONFIDENCE AND
SHALL NOT BE REPRODUCED NOR
COPIED NOR DISCLOSED TO OTHERS
UNDER PENALTY OF LAW.



® AEROTECH, INC. 101 Zeta Drive
Pittsburgh, PA. 15238
(412)963-7470 TWX710-795-3125

TOLERANCES ON		
FRACTIONS	DECIMALS	ANGLES
0 TO 6 ± 1/32	.XX ± .01	± 0-30'
OVER 6 ± 1/16	.XXX ± .005	

RMS FINISH EXCEPT AS NOTED

DRAWN	LTL	3-19-01
CHECKED	AGS	3-19-01
APPD.	AGS	3-19-01

PART CODE		SIZE	REV.
JP4X-XX		C	B
JP4X EXTENSION CABLE			
SCALE N/A	FILE NAME 630C1358-1B1.DWG	SHEET 1 OF 1	