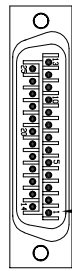


REVISIONS				
REV.	ZONE	DESCRIPTION	DATE	DRAWN

FOR CRIMP TOOL USE AMP HANDLE ASSY 58074-1 WITH AMP HEAD ASSY 58063-2



DETAIL "A"

AMP PLUG 745496-2 (ECK786)  
VIEWED FROM WIRE SIDE OF CONNECTOR

AMP PLUG #745496-2 (ECK786)  
BACKSHELL #17-1726-2 (ECK656)

682A1031 (ECX445)  
#24 AWG UNLESS OTHERWISE NOTED

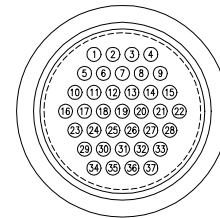
PIN	WIRE	SIGNAL
1	SHIELD	SIG SHLD
2	-	-
3	#22 WHT/BRN	ENC +5V
4	-	-
5	-	-
6	BLK	MKR-N
7	BRN	MKR
8	WHT/VIO	TACH -
9	-	-
10	-	-
11	-	-
12	WHT	CW/+ LMT
13	ORN	BRK -
14	WHT/BLK	COS
15	VIO	COS-N
16	#22 WHT/BLU	LMT +5V
17	GRN	SIN
18	RED	SIN-N
19	WHT/RED	TACH+
20	#22 WHT/GRN	LMT COM
21	#22 WHT/YEL	ENC COM
22	PINK	HM LMT
23	-	-
24	GRY	CCW/-LMT
25	BLU	BRK +

OUTER BUNDLE OF 682A1031 (ECX445)  
UNUSED WIRES: YEL

682A1031 (ECX445)  
#24 AWG UNLESS OTHERWISE NOTED

SIGNAL	WIRE	PIN
HM LMT	PINK	14
COS-N	VIO	19
SIN-N	RED	20
MKR	BRN	21
MKR-N	BLK	22
BRK-	ORN	23
BRK+	BLU	24
COS	WHT/BLK	25
SIN	GRN	26
CW/+LMT	WHT	27
CCW/-LMT	GRY	28
TACH+	WHT/RED	29
SIG SHLD	SHIELD	30
TACH-	WHT/VIO	34
LMT COM	#22 WHT/GRN	31
ENC COM	#22 WHT/YEL	32
ENC +5V	#22 WHT/BRN	35
LMT +5V	#22 WHT/BLU	37
FRM GND	#20 WHT	1
FRM GND	#20 GRN	1
-	SHIELD	18
MTR+	#20 RED	6
MTR+	#20 DRN	16
MTR-	#20 BLU	10
MTR-	#20 YEL	17
-	-	2
-	-	3
-	-	4
-	-	5
-	-	7
-	-	8
-	-	9
-	-	11
-	-	12
-	-	13
-	-	15
-	-	33
-	-	36

PLUG 206150-1 (ECK00312)  
EXTENDER 207055-1 (ECK00604)  
BACKSHELL 206138-1 (ECK00603)  
#20-24 SOCKETS 66104-7 (EIK00152)



DETAIL "B"

PLUG 206150-1 (ECK312)  
VIEWED FROM WIRE SIDE OF CONNECTOR

3

2

1

APPLY LABELS TO WIRES  
USE EIA01162 LABEL,  
BRADY PSPT-187-175W WIRE  
MARKING SLEEVE FOR #18-12 AWG

USE 2" LENGTHS OF THICK WALL HEATSHRINK TUBING  
TO BUILD UP CABLE DIAMETER FOR  
PROPER STRAIN RELIEVING.  
STRAIN RELIEVING MUST WITHSTAND 35 LB. PULL.

CUT THICK WALL HEATSHRINK TUBING WITH CABLE CUTTER SUCH  
THAT ENDS ARE PERPENDICULAR TO CABLE AND CUT IS SMOOTH.

THICK WALL HEATSHRINK TUBING:  
AMP # 53701-1 (EIW00112) MAX INSIDE DIA = .750" (EXPANDED),  
MIN INSIDE DIA = .220" (RECOVERED)  
AMP # 53700-1 (EIW00113) MAX INSIDE DIA = .400" (EXPANDED),  
MIN INSIDE DIA = .150" (RECOVERED)

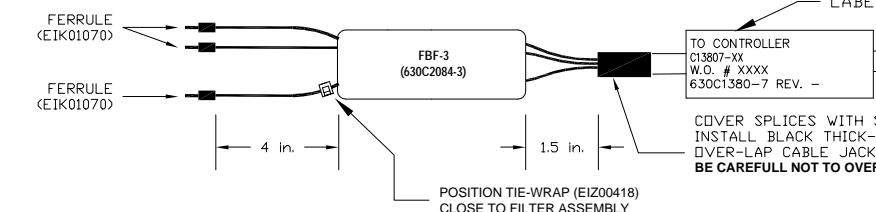
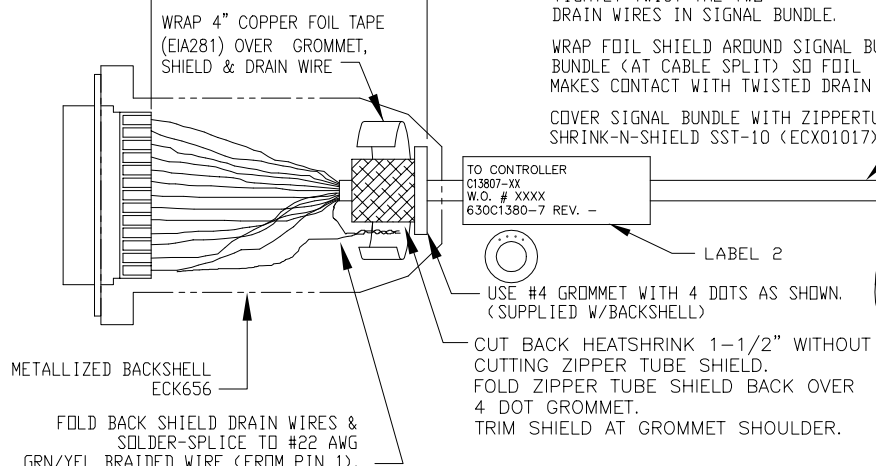
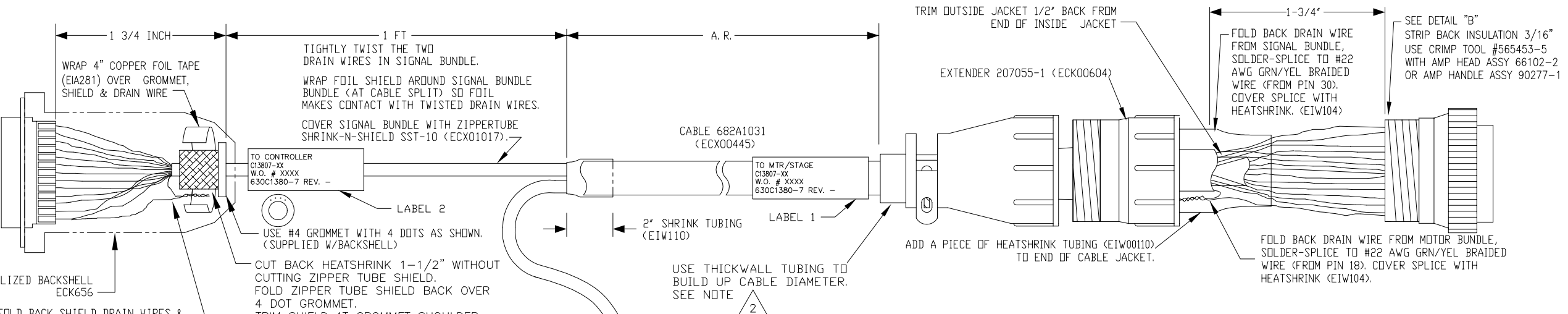
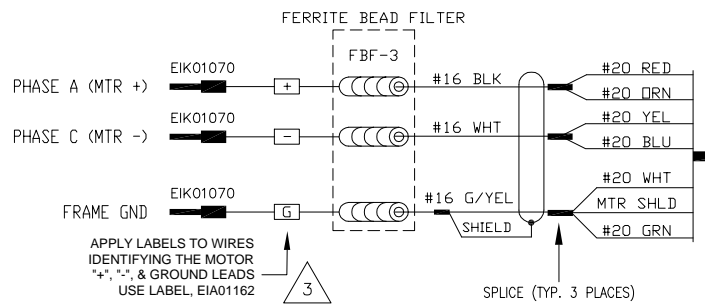
STARTING CABLE LENGTH = A. R. LENGTH + 5 IN

SEE LABELS 1, 2 & 3  
FOR DESTINATION

LABELS FOR  
C13807 CABLES:  
(3) REQUIRED,  
(1 AT EACH END)

DESTINATION  
C13807-XX  
W. O. # / 1 thru X  
630C1380-7 REV. -

CABLE WRAP LABEL: EIA00113



PART CODE:

C13807-XX	C13807-1 TO -107 MAX LENGTH (DECIMETERS)
-----------	--

PROPRIETARY INFORMATION  
THIS DRAWING IS THE PROPERTY  
OF AEROTECH, INC. AND IS  
SUBMITTED IN CONFIDENCE AND  
SHALL NOT BE REPRODUCED NOR  
COPIED NOR DISCLOSED TO OTHERS  
UNDER PENALTY OF LAW.

TOLERANCES ON  
FRACTIONS DECIMALS ANGLES  
0 TO 6 ± 1/32 .XX ± .01 ± 0-30'  
OVER 6 ± 1/16 .XXX ± .005

RMS FINISH ✓ EXCEPT AS NOTED

DRAWN	TES	10/19/06
CHECKED	AGS	10/19/06
APPD.	AGS	10/19/06

**AEROTECH**®

AEROTECH, INC. 101 Zeta Drive  
Pittsburgh, PA. 15238  
(412)963-7470  
www.aerotech.com

**C13807-XX OUTPUT CABLE**  
**107 DECIMETERS (35') MAX LENGTH**  
**CABLE: DC MTR & FB-25DU FLB-37P-MAX107DM**

PART CODE	SIZE	REV.
SEE ABOVE	C	-
SCALE NTS	FILE NAME 630C1380-701.dwg	SHEET 1 OF 1