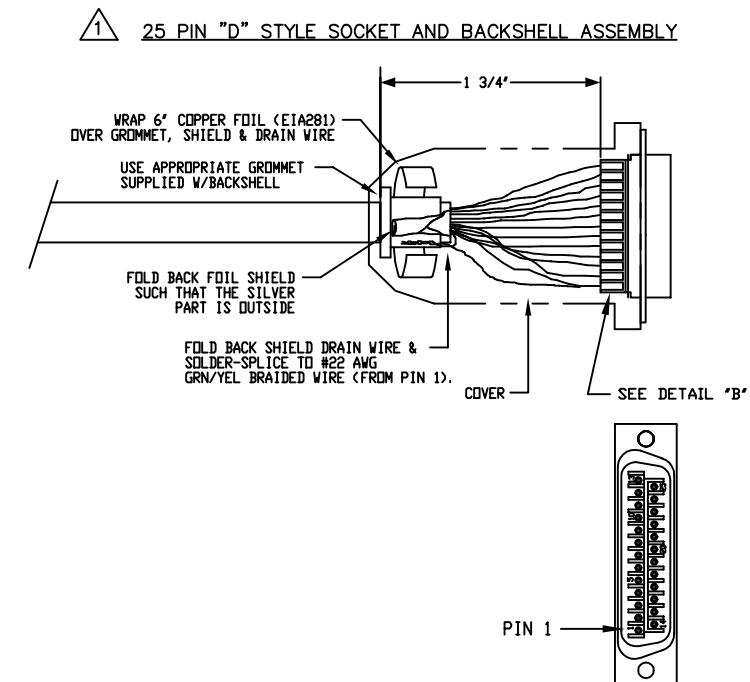
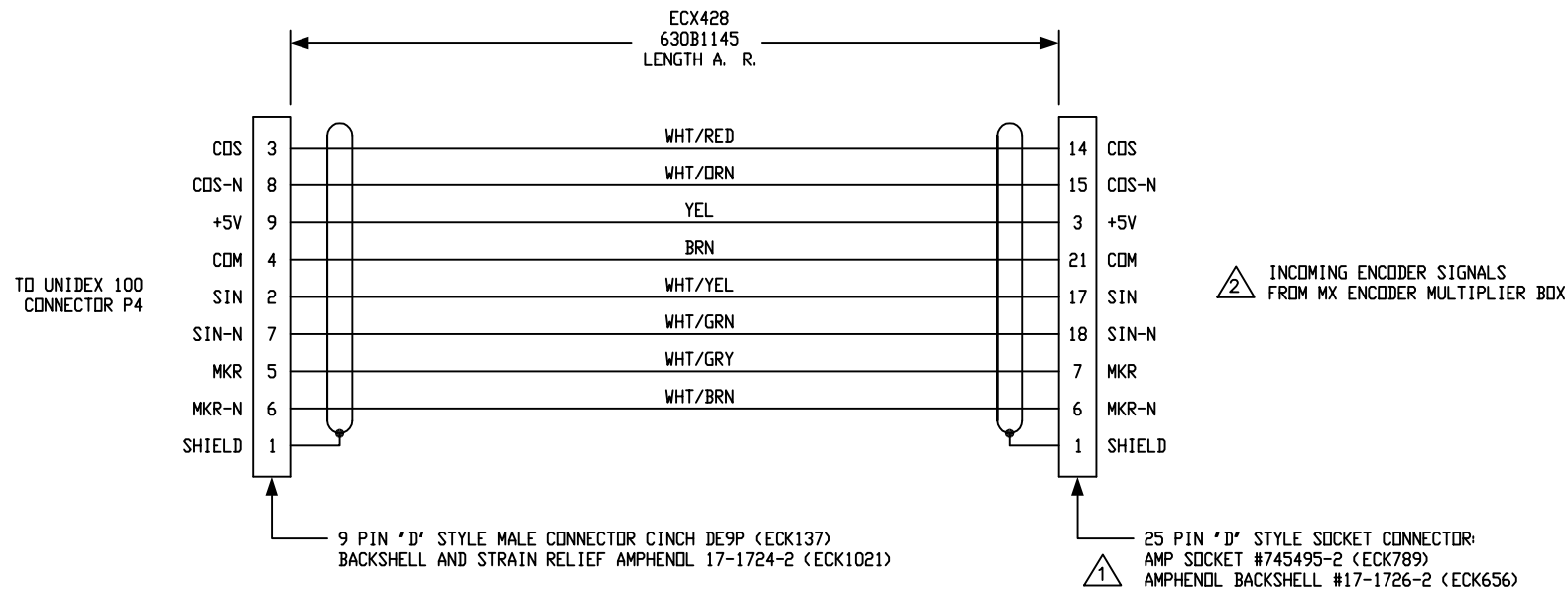
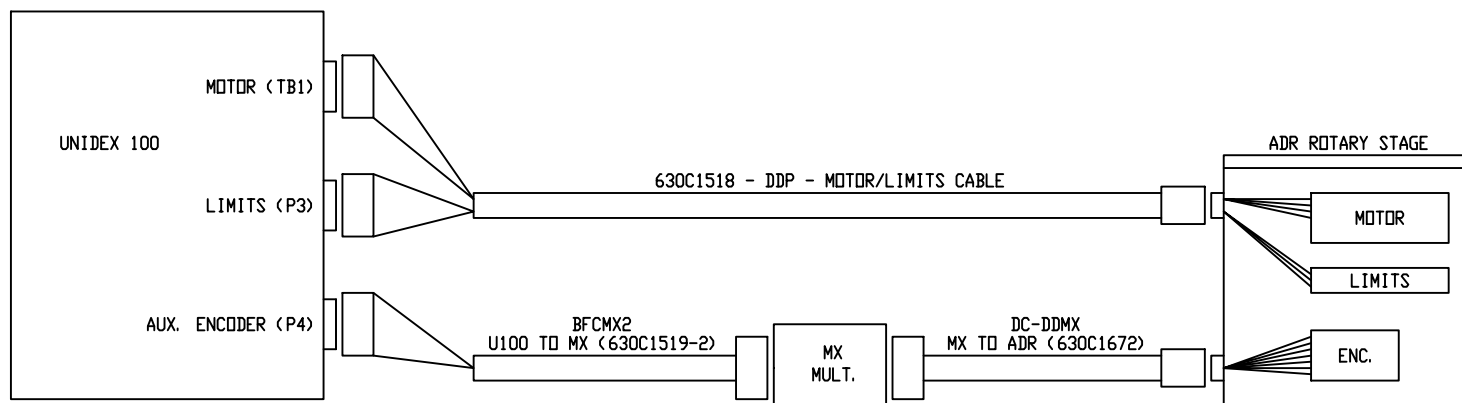
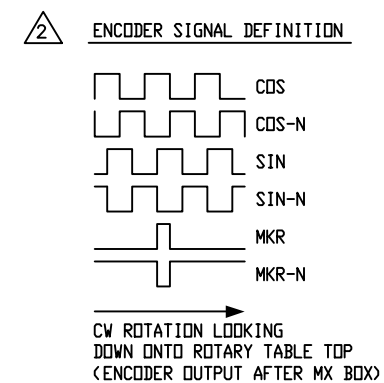


REVISIONS				
REV.	ZONE	DESCRIPTION	DATE	DRAWN
A	-	NEW CABLE FROM ORIGINAL 630C1519-1	12/98	JAB



DETAIL "B"  
AMP SOCKET #745495-2 (ECK789)



PROPRIETARY INFORMATION THIS DRAWING IS THE PROPERTY OF AEROTECH, INC. AND IS SUBMITTED IN CONFIDENCE AND SHALL NOT BE REPRODUCED NOR COPIED NOR DISCLOSED TO OTHERS UNDER PENALTY OF LAW.		AEROTECH, INC. 101 Zeta Drive Pittsburgh, PA. 15238 (412)963-7470 TWX710-795-3125	
TOLERANCES ON FRACTIONS    DECIMALS    ANGLES 0 TO 6 ± 1/32    .XX ± .01    ± 0-30' OVER 6 ± 1/16    .XXX ± .005		<b>U100 TO MX MULTIPLIER ENCODER CABLE (BFCMX2)</b>	
RMS FINISH    ✓    EXCEPT AS NOTED		PART CODE <b>BFCMX2</b>	SIZE <b>C</b>
DRAWN    WG    04/93	CHECKED    AGS    12/98	<b>630C1519-2</b>	REV. <b>A</b>
APPD.    JAB    12/98	SCALE    -	FILE NAME 630C1519-2A1.dwg	SHEET 1 OF 1