

REVISIONS			
REV.	DESCRIPTION	DATE	APPROVAL
A	ADDED ECN #13361	5/4/11	MS

AMP PLUG #745496-2 (ECK786)
 AMPHENDL BACKSHELL #17-1726-2 (ECK656)

CONSOLIDATED (STANDARD)
 (26 COND.), ECX01182

PIN	WIRE	SIGNAL
13		
12	WHT	CW/+ LMT
11	GRY/RED	HC
10	GRY/BLK	HA
9	-	-
8	-	-
7	BRN	MKR
6	WHT/BRN	MKR-N
5	WHT/GRY	HB
4	-	-
3(1/2)	#22 VIO	ENC +5V
3(2/2)	#22 WHT/VIO	ENC +5V
2	BLK	THERM
1	OUTER SHLD	OUTER SHIELD
14	RED	COS
15	WHT/RED	COS-N
16	BLU	LMT +5V
17	ORN	SIN
18	WHT/ORN	SIN-N
19	-	-
20	BLU/BLK	LMT COM
21(1/3)	#22 GRN	ENC COM
21(2/3)	#22 WHT/GRN	ENC COM
21(3/3)	INNER SHLD	INNER SHIELD
22	PINK	HM LMT
23	-	-
24	GRY	CCW/- LMT
25		

STRAIGHT PLUG MS3106A-20 (MCM454)
 INSERT MS20-29S (MCM464)
 CLAMP 97-3057-1012 (MCM457)
 BUSHING AN3055-22-12 (MCM493)

CONSOLIDATED (STANDARD)
 (26 COND.), ECX01182

SIGNAL	WIRE	SOCKET
ENC COM	#22 GRN	G(1/2)
ENC COM	#22 WHT/GRN	G(2/2)
ENC +5V	#22 VIO	H(1/2)
ENC +5V	#22 WHT/VIO	H(2/2)
OUTER SHIELD	OUTER SHLD	J
MKR-N	WHT/BRN	F
BRK+	#24 RED/ORN	S
-	-	R
MKR	BRN	E
HA	GRY/BLK	K
THERM	BLK	L
BRK-	#24 BLK/ORN	T
HC	GRY/RED	P
SIN-N	WHT/ORN	D
HB	WHT/GRY	M
-	-	N
SIN	ORN	C
COS-N	WHT/RED	B
COS	RED	A
INNER SHIELD	INNER SHLD	N.C.

AMP SOCKET #745491-2 (ECK781)
 AMPHENDL BACKSHELL #17-1724-2 (ECK01021)

SIGNAL	WIRE	SOCKET
LMT +5V	BLU	1
LMT COM	BLU/BLK	2
CW/+ LMT	WHT	3
HM LMT	PINK	4
CCW/- LMT	GRY	5

NOTE: BRAKE WIRES ARE TO EXIT REAR OF BACKSHELL
 COVER BRAKE WIRES WITH HEAT SHRINK

18 INCHES

5

UNWRAP INNER FOIL SHIELD AS FAR BACK AS POSSIBLE.
 SEPARATE GREEN WIRE INSULATION. SOLDER-SPLICE WHT/GRN
 & INNER DRAIN WIRES TO GREEN WIRE. WRAP INNER FOIL SHIELD
 OVER SOLDER-SPLICE. COVER INNER BUNDLE. SPLICE & INNER FOIL WITH
 SHRINK TUBING AS FAR IN CABLE AS POSSIBLE. CONNECT GREEN WIRE
 TO PIN 21. SEE DETAIL 'D'.
 NOTE: INNER SHIELD MUST NOT TOUCH OUTER SHIELD OR BACKSHELL.

4

USE 2' LENGTHS OF THICK WALL HEATSHRINK TUBING
 (EIW00113 - QTY 1, EIW00112 - QTY 1) TO BUILD UP CABLE
 DIAMETER FOR PROPER STRAIN RELIEFING.
 STRAIN RELIEFING MUST WITHSTAND 35 LB. PULL.

CUT THICK WALL HEATSHRINK TUBING WITH CABLE CUTTER SUCH
 THAT ENDS ARE PERPENDICULAR TO CABLE AND CUT IS SMOOTH.
 THICK WALL HEATSHRINK TUBING:
 AMP # 53701-1 (EIW00112) MAX INSIDE DIA = .750" (EXPANDED),
 MIN INSIDE DIA = .220" (RECOVERED)
 AMP # 53700-1 (EIW00113) MAX INSIDE DIA = .400" (EXPANDED),
 MIN INSIDE DIA = .150" (RECOVERED)

3

FOR CRIMP TOOL USE AMP HANDLE ASSY 58074-1
 WITH AMP HEAD ASSY 58063-2

2

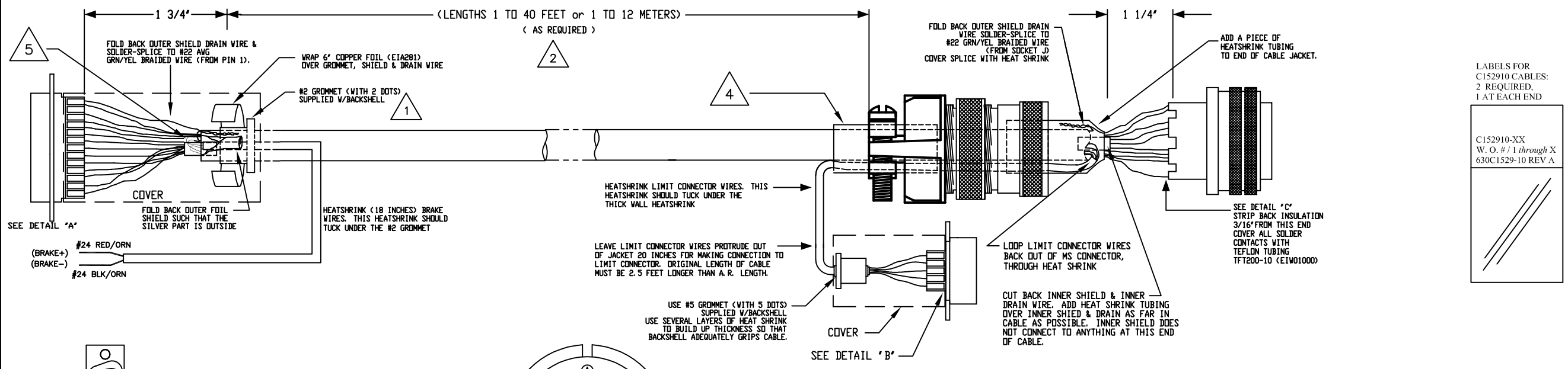
STARTING CABLE LENGTH = 4 FT BEYOND SPECIFIED CABLE LENGTH
 DO NOT EXCEED LENGTH OF 40 FT FOR THIS DESIGN.

1

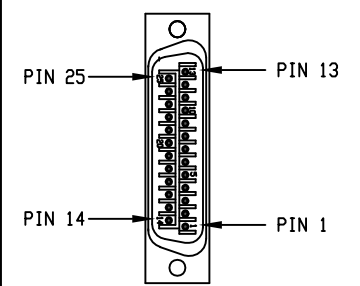
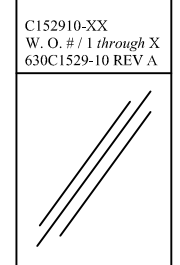
USE #2 GROMMET WITH 2 DOTS AS SHOWN
 WHICH IS SUPPLIED W/BACKSHELL



5

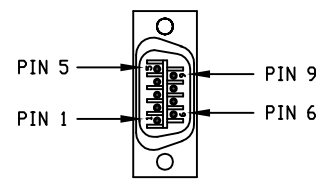


LABELS FOR
 C152910 CABLES:
 2 REQUIRED,
 1 AT EACH END



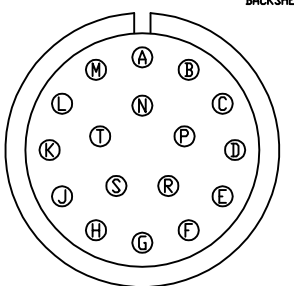
DETAIL "A"

VIEWED FROM WIRE SIDE OF CONNECTOR
 AMP PLUG #745496-2 (ECK786)



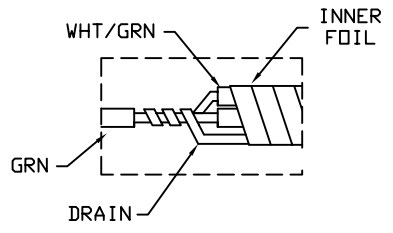
DETAIL "B"

VIEWED FROM WIRE SIDE OF CONNECTOR
 AMP SOCKET #745491-2 (ECK781)



DETAIL "C"

VIEWED FROM WIRE SIDE OF CONNECTOR
 AMPHENDL SOCKET INSERT MS20-29S (MCM464)



DETAIL "D"

PROPRIETARY INFORMATION
 THIS DRAWING IS THE PROPERTY
 OF AEROTECH, INC. AND IS
 SUBMITTED IN CONFIDENCE AND
 SHALL NOT BE REPRODUCED NOR
 COPIED NOR DISCLOSED TO OTHERS
 UNDER PENALTY OF LAW.

TOLERANCES ON		
FRACTIONS	DECIMALS	ANGLES
0 TO 6 3/32	.XX ±01	± 0-30'
OVER 6 3/16	.XXX ±005	

RMS FINISH	✓	EXCEPT AS NOTED
------------	---	-----------------

DRAWN	AGS	9/19/06
CHECKED	JAB	9/19/06
APPD.	JAB	9/19/06



AEROTECH, INC. 101 Zeta Drive
 Pittsburgh, PA. 15238
 (412)963-7470 TWX710-795-3125

**BRUSHLESS FEEDBACK CABLE
 WITH BRAKE ACCESS**

CABLE: BL FB-25D FLBRK-17MS 9D-MAX120DM

PART CODE	SIZE	REV.
C152910	C	A
SCALE	FILE NAME	SHEET
NTS	630C1529-10A1.DWG	1 OF 1