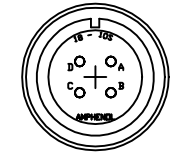
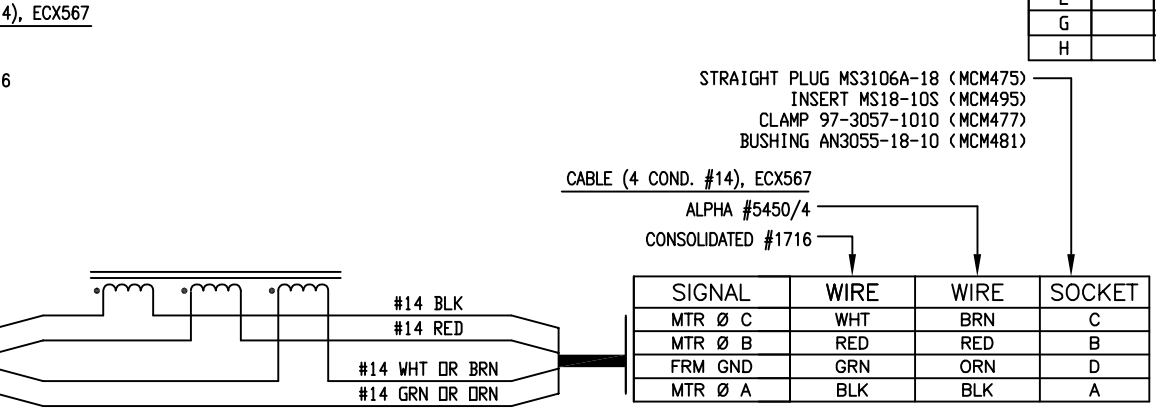
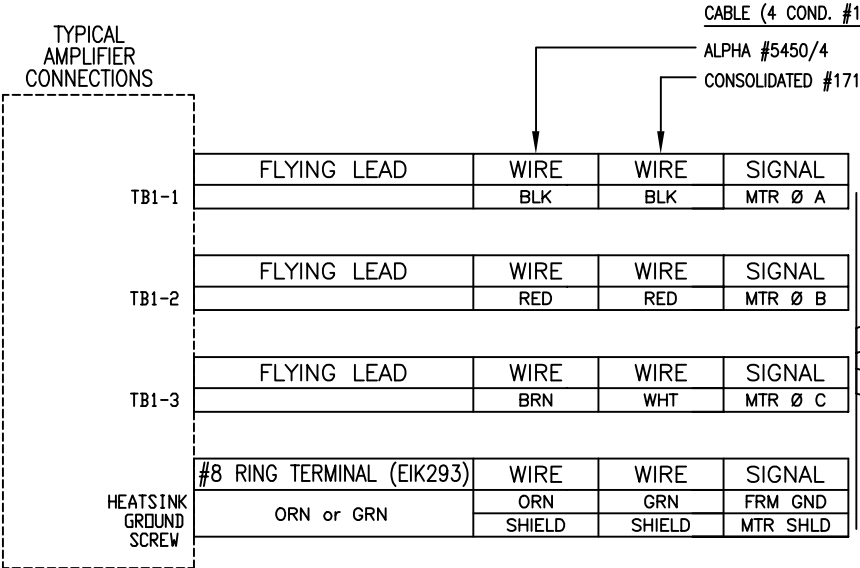
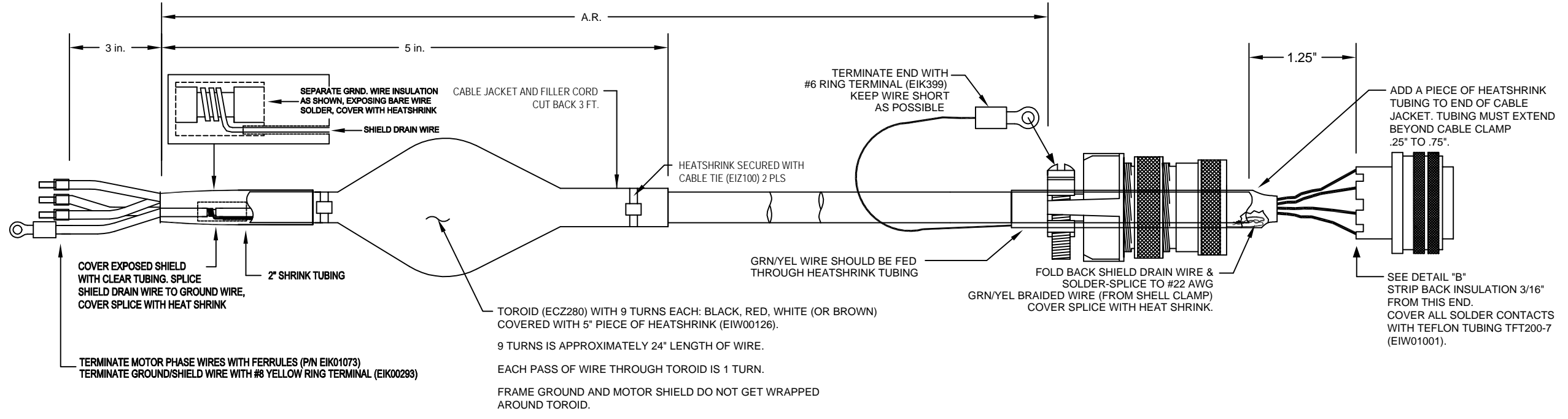


REVISIONS				
REV.	ZONE	DESCRIPTION	DATE	DRAWN
A	C-3	ADDED ECN1166	3/95	LTR
B	C-4	ADDED ECN1211	06-05-95	WJG
C		ADDED ECN1287	8/16/95	WJG
D		ADDED ECN1427 & ECN1708	02-15-96	WJG
E		ADDED ECN2752	7/7/97	NTC
G		ADDED ECN5549	4/24/01	RDS
H		ADDED ECN7952A	5/26/04	JAB

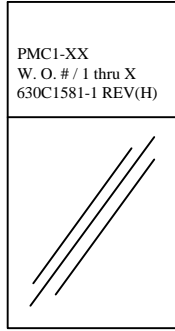


DETAIL "A"

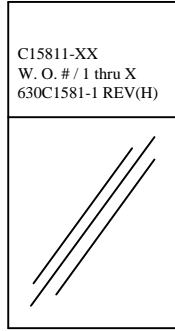
VIEWED FROM WIRE SIDE OF CONNECTOR
AMPHENL SOCKET INSERT MS18-10S (MCM495)



LABELS FOR PMCI CABLES:
(2) REQUIRED,
(1 AT EACH END)



LABELS FOR C15811 CABLES:
(2) REQUIRED,
(1 AT EACH END)



PROPRIETARY INFORMATION
THIS DRAWING IS THE PROPERTY OF AEROTECH, INC. AND IS SUBMITTED IN CONFIDENCE AND SHALL NOT BE REPRODUCED NOR COPIED NOR DISCLOSED TO OTHERS UNDER PENALTY OF LAW.

FRACTIONS	DECIMALS	ANGLES
0 TO 6 3/32	.XX ±01	± 0-30'
OVER 6 1/16	.XXX ±005	

RMS FINISH EXCEPT AS NOTED

DRAWN	JAB	5/26/04
CHECKED	AGS	5/26/04
APPD.	AGS	5/26/04

PART CODE:	
C15811-XX	C15811-1 TO -450 MAX LENGTH (DECIMETERS)
PMCI-XX	PMCI-1 TO -150 MAX LENGTH (FEET)



AEROTECH, INC. 101 Zeta Drive
Pittsburgh, PA. 15238
www.aerotech.com

**HEAVY DUTY BRUSHLESS MOTOR CABLE
WITH TOROID FILTER AND 14 AWG CONDUCTORS**
CABLE: BL MTR FLT HD (FORMALLY PMC1)

PART CODE	SIZE	REV.
C15811-XX	C	H
SCALE	FILE NAME	SHEET
NTS	630C1581-1H1.DWG	1 of 1