

REVISIONS				
REV.	ZONE	DESCRIPTION	DATE	APPROVAL
A	-	ADDED ECN2193	10-04-96	
B	-	ADDED ECN2449	2-18-97	VG
C	-	ADDED ECN2633	5-15-97	NTC
D	-	ADDED ECN3284	3/17/98	NTC
E	-	ADDED ECN4060	03-03-99	
F	-	ADDED ECN4603	1-11-00	LTL
G	-	ADDED ECN4913	7/13/00	NTC
H	-	ADDED SHRINK TUBING UNDER CABLE GROMMET. ECN5211	4/10/01	DJS/DH
I	-	ADDED ECN6703	1/23/03	RWR
J	-	ADDED ECN7028	05/03	JRF
K	-	ADDED ECN7307	8/19/03	EJB
L	-	ADDED ECN7840	4/7/04	EJB
M	-	ADDED ECN15006A	8/9/13	AMD
N	-	ADDED ECN 15818	5/30/2014	JFM

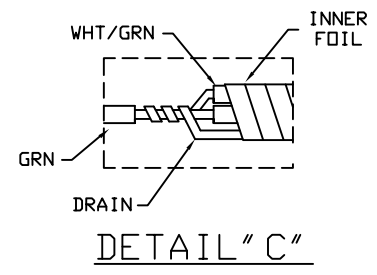
AMP PLUG #745496-2 (ECK786)  
 AMPHENDL BACKSHELL #17-1726-2 (ECK656)  
 CONSOLIDATED (STANDARD)  
 (26 COND.), ECX01182

PIN	WIRE	SIGNAL
13	BLU/BLK	BRAKE -
12	WHT	CW/+ LMT
11	GRY/RED	HC
10	GRY/BLK	HA
9	#22 RED/BLK	SETUP (-5V)
8	WHT/YEL	ABS ENCODER DATA-
7	BRN	MKR
6	WHT/BRN	MKR-N
5	WHT/GRY	HB
4	GRN/BLK	STAGE ID
3(1/2)	#22 VIO	ENC +5V
3(2/2)	#22 WHT/VIO	ENC +5V
2	BLK	EXT SD
1	OUTER SHIELD	OUTER SHIELD
14	RED	COS
15	WHT/RED	COS-N
16	#24 RED/ORN	LMT +5V
17	ORN	SIN
18	WHT/ORN	SIN-N
19	YEL	ABS ENCODER DATA+
20	#24 BLK/ORN	LMT COM
21(1/3)	#22 GRN	ENC COM
21(2/3)	#22 WHT/GRN	ENC COM
21(3/3)	INNER SHIELD	INNER SHIELD
22	PNK	HOME LMT
23	YEL/BLK	ENC FLT
24	GRY	CCW/- LMT
25	BLU	BRAKE+

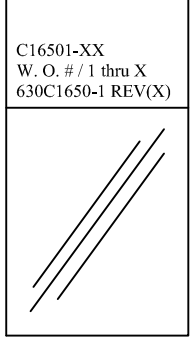
AMP SOCKET #745495-2 (ECK789)  
 AMPHENDL BACKSHELL #17-1726-2 (ECK656)  
 CONSOLIDATED (STANDARD)  
 (26 COND.), ECX01182

SIGNAL	WIRE	SOCKET
OUTER SHIELD	OUTER SHIELD	1
EXT SD	BLK	2
ENC +5V	#22 VIO	3(1/2)
ENC +5V	#22 WHT/VIO	3(2/2)
STAGE ID	GRN/BLK	4
HB	WHT/GRY	5
MKR-N	WHT/BRN	6
MKR	BRN	7
ABS ENCODER DATA-	WHT/YEL	8
SETUP (-5V)	#22 RED/BLK	9
HA	GRY/BLK	10
HC	GRY/RED	11
CW/+ LMT	WHT	12
BRAKE-	BLU/BLK	13
BRAKE+	BLU	25
CCW/- LMT	GRY	24
ENC FLT	YEL/BLK	23
HOME LMT	PNK	22
ENC COM	#22 GRN	21(1/2)
ENC COM	#22 WHT/GRN	21(2/2)
LMT COM	#24 BLK/ORN	20
ABS ENCODER DATA+	YEL	19
SIN-N	WHT/ORN	18
SIN	ORN	17
LMT +5V	#24 RED/ORN	16
COS-N	WHT/RED	15
COS	RED	14
INNER SHIELD	INNER SHIELD	N.C.

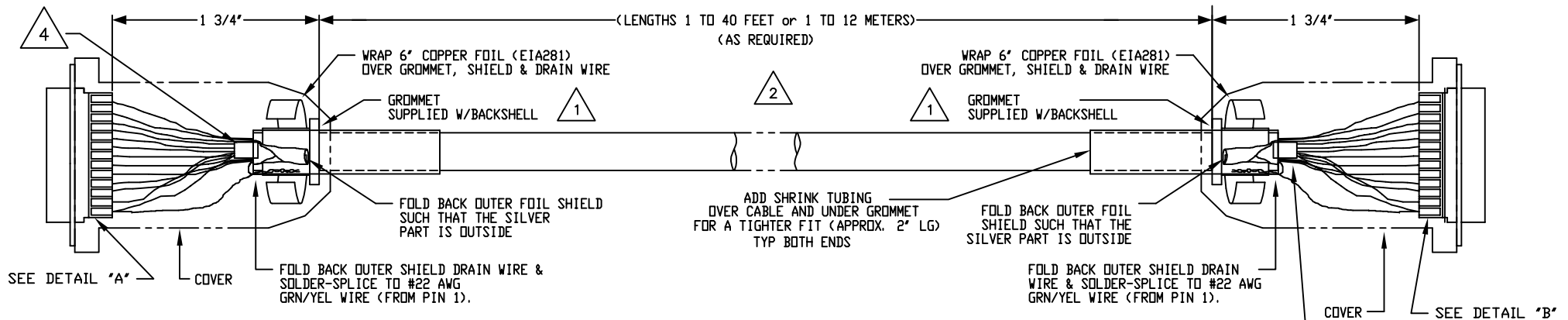
UNUSED WIRES (ECX01182): NONE



LABELS FOR  
 C16501 CABLES:  
 (2) REQUIRED,  
 (1 AT EACH END)



4

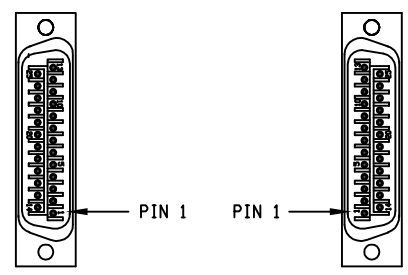
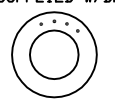


4 UNWRAP INNER FOIL SHIELD AS FAR BACK AS POSSIBLE. SEPARATE GREEN WIRE INSULATION. SOLDER-SPLICE WHT/GRN & INNER DRAIN WIRES TO GREEN WIRE. WRAP INNER FOIL SHIELD OVER SOLDER-SPLICE. COVER INNER BUNDLE, SPLICE & INNER SHIELD WITH SHRINK TUBING AS FAR IN CABLE AS POSSIBLE. CONNECT GREEN WIRE TO PIN 21. SEE DETAIL "C". NOTE: INNER SHIELD MUST NOT TOUCH OUTER SHIELD OR BACKSHELL.

3 FOR CRIMP TOOL USE AMP HANDLE ASSY 58074-1 WITH AMP HEAD ASSY 58063-2

2 STARTING CABLE LENGTH = 6' LONGER THAN REQUIRED LENGTH.

1 USE #4 GROMMET WITH 4 DOTS AS SHOWN BELOW WHICH IS SUPPLIED W/BACKSHELL



DETAIL "A"  
 AMP PLUG #745496-2 (ECK786)

DETAIL "B"  
 AMP SOCKET #745495-2 (ECK789)

PROPRIETARY INFORMATION  
 THIS DRAWING IS THE PROPERTY OF AEROTECH, INC. AND IS SUBMITTED IN CONFIDENCE AND SHALL NOT BE REPRODUCED NOR COPIED NOR DISCLOSED TO OTHERS UNDER PENALTY OF LAW.

AEROTECH® AEROTECH, INC. 101 Zeta Drive  
 Pittsburgh, PA. 15238  
 (412) 963-7470 TWX710-795-3125

TOLERANCES ON FRACTIONS DECIMALS ANGLES  
 0 TO 6 ± 1/32 .XX ± .01 ± 0-30'  
 OVER 6 ± 1/16 .XXX ± .005

RMS FINISH  EXCEPT AS NOTED

DRAWN	LTL	1-11-00	PART CODE	SIZE	REV.
CHECKED	AGS	7/00	C16501-XX	C	N
APPD.	AGS	7/00	SCALE NTS	FILE NAME 630C1650-1N1.DWG	SHEET 1 OF 1

BRUSHLESS FEEDBACK CABLE  
 150 DECIMETERS (50') MAX LENGTH  
 CABLE: BL FB-25DU-25DU-MAX120DM