

REVISIONS				
REV.	ZONE	DESCRIPTION	DATE	APPROVAL

AMP PLUG #745496-2 (ECK786)
 AMPHENDL BACKSHELL #17-1726-2 (ECK656)
 CONSOLIDATED (STANDARD)
 (26 COND.), ECX01182

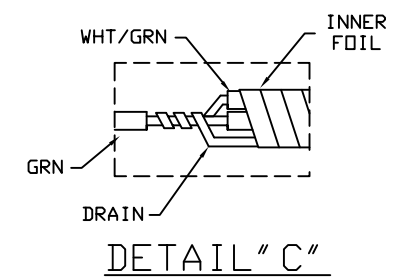
PIN	WIRE	SIGNAL
13	BLU/BLK	BRAKE -
12	WHT	CW/+ LMT
11	GRY/RED	HC
10	GRY/BLK	HA
9	#22 RED/BLK	SETUP (-5V)
8	WHT/YEL	TACH-
7	BRN	MKR
6	WHT/BRN	MKR-N
5	WHT/GRY	HB
4	GRN/BLK	COM
3(1/2)	#22 VIO	ENC +5V
3(2/2)	#22 WHT/VIO	ENC +5V
2	BLK	EXT SD
1	OUTER SHIELD	OUTER SHIELD
14	RED	COS
15	WHT/RED	COS-N
16	#24 RED/ORN	LMT +5V
17	ORN	SIN
18	WHT/ORN	SIN-N
19	YEL	TACH+
20	#24 BLK/ORN	LMT COM
21(1/3)	#22 GRN	ENC COM
21(2/3)	#22 WHT/GRN	ENC COM
21(3/3)	INNER SHIELD	INNER SHIELD
22	PINK	HM LMT
23	YEL/BLK	ENC FLT
24	GRY	CCW/- LMT
25	BLU	BRAKE+

UNUSED WIRES (ECX01182): NONE

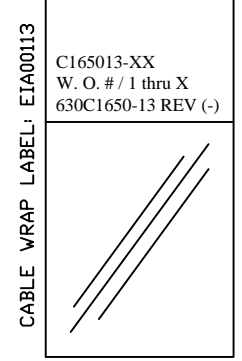
AMP SOCKET #745495-2 (ECK789)
 AMPHENDL BACKSHELL #17-1726-2 (ECK656)
 CONSOLIDATED (STANDARD)
 (26 COND.), ECX01182

SIGNAL	WIRE	SOCKET
OUTER SHIELD	OUTER SHIELD	1
EXT SD	BLK	2
ENC +5V	#22 VIO	3(1/2)
ENC +5V	#22 WHT/VIO	3(2/2)
KEY	GRN/BLK	(4)
HB	WHT/GRY	5
MKR-N	WHT/BRN	6
MKR	BRN	7
TACH-	WHT/YEL	8
SETUP (-5V)	#22 RED/BLK	9
HA	GRY/BLK	10
HC	GRY/RED	11
CW/+ LMT	WHT	12
BRAKE-	BLU/BLK	13
BRAKE+	BLU	25
CCW/- LMT	GRY	24
ENC FLT	YEL/BLK	23
HM LMT	PINK	22
ENC COM	#22 GRN	21(1/2)
ENC COM	#22 WHT/GRN	21(2/2)
LMT COM	#24 BLK/ORN	20
TACH+	YEL	19
SIN-N	WHT/ORN	18
SIN	ORN	17
LMT +5V	#24 RED/ORN	16
COS-N	WHT/RED	15
COS	RED	14
INNER SHIELD	INNER SHIELD	N.C.

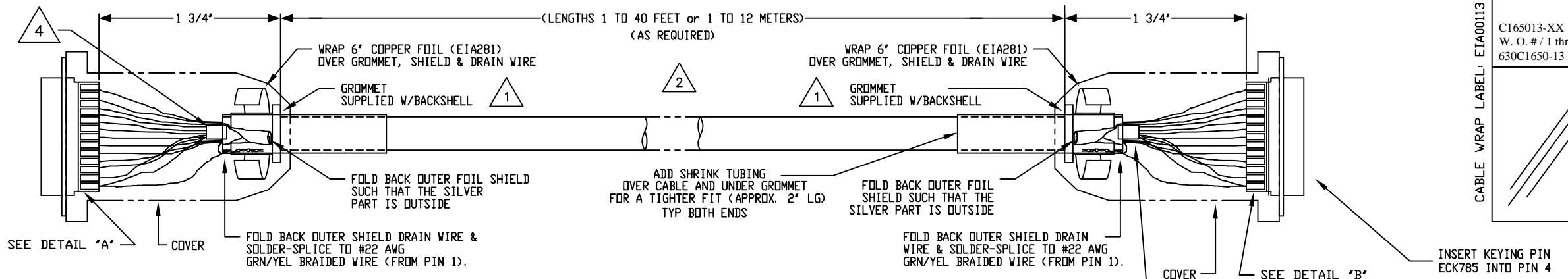
INSERT KEYING PIN
ECK785 INTO PIN 4



LABELS FOR
C165013 CABLES:
(2) REQUIRED,
(1 AT EACH END)



4

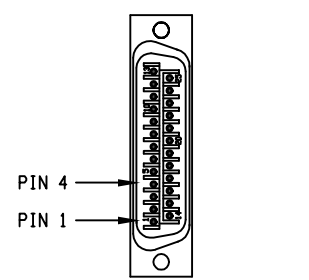
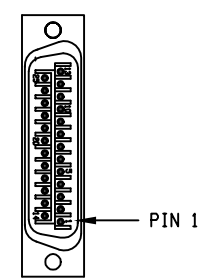
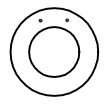


4 UNWRAP INNER FOIL SHIELD AS FAR BACK AS POSSIBLE. SEPARATE GREEN WIRE INSULATION. SOLDER-SPLICE WHT/GRN & INNER DRAIN WIRES TO GREEN WIRE. WRAP INNER FOIL SHIELD OVER SOLDER-SPLICE. COVER INNER BUNDLE, SPLICE & INNER SHIELD WITH SHRINK TUBING AS FAR IN CABLE AS POSSIBLE. CONNECT GREEN WIRE TO PIN 21. SEE DETAIL "C". NOTE: INNER SHIELD MUST NOT TOUCH OUTER SHIELD OR BACKSHELL.

3 FOR CRIMP TOOL USE AMP HANDLE ASSY 58074-1 WITH AMP HEAD ASSY 58063-2

2 STARTING CABLE LENGTH = 6' LONGER THAN REQUIRED LENGTH.

1 USE #2 GROMMET WITH 2 DOTS AS SHOWN BELOW WHICH IS SUPPLIED W/BACKSHELL



PROPRIETARY INFORMATION
THIS DRAWING IS THE PROPERTY
OF AEROTECH, INC. AND IS
SUBMITTED IN CONFIDENCE AND
SHALL NOT BE REPRODUCED NOR
COPIED NOR DISCLOSED TO OTHERS
UNDER PENALTY OF LAW.



AEROTECH, INC. 101 Zeta Drive
Pittsburgh, PA. 15238
412-963-7470 FAX: 412-963-7459
www.AEROTECH.com

TOLERANCES ON
FRACTIONS DECIMALS ANGLES
0 TO 6 ± 1/32 .XX ± .01 ± 0-30'
OVER 6 ± 1/16 .XXX ± .005

RMS FINISH ✓ EXCEPT AS NOTED

DRAWN	3/4/05	RWR
CHECKED	3/4/05	JLD
APPD.	3/4/05	JLD

BRUSHLESS FEEDBACK CABLE
120 DECIMETERS (40') MAX LENGTH
CABLE: BL FB-25DU-25DU-KEY4-MAX120DM

PART CODE	SIZE	REV.
C165013-XX	C	-
SCALE NTS	FILE NAME	SHEET
	630C1650-1301.DWG	1 OF 1