

REVISIONS				
REV.	ZONE	DESCRIPTION	DATE	APPROVAL

AMP PLUG #745496-2 (ECK786)
 AMPHENDL BACKSHELL #17-1726-2 (ECK656)
 CONSOLIDATED (STANDARD)
 (26 COND.), ECX01182
 ALL WIRES #26 GAUGE
 UNLESS SPECIFIED OTHERWISE

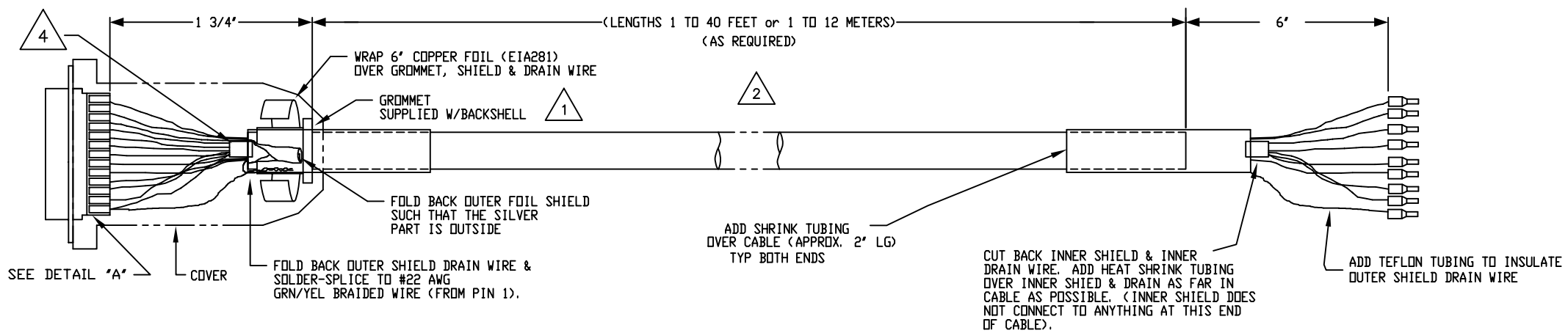
CONSOLIDATED (STANDARD)
 (26 COND.), ECX01182
 ALL WIRES #26 GAUGE
 UNLESS SPECIFIED OTHERWISE

PIN	WIRE COLOR	SIGNAL
13	BLU/BLK	BRAKE -
12	WHT	CW/+ LMT
11	GRY/RED	HALL C
10	GRY/BLK	HALL A
9	#22 RED/BLK	SETUP
8	WHT/YEL	TACH-
7	BRN	MKR
6	WHT/BRN	MKR-N
5	WHT/GRY	HALL B
4	GRN/BLK	COM
3(1/2)	#22 VIO	ENC +5V
3(2/2)	#22 WHT/VIO	ENC +5V
2	BLK	EXT SD
1	OUTER SHIELD/#22 GRN/YEL	OUTER SHIELD
14	RED	COS
15	WHT/RED	COS-N
16	#24 RED/ORN	LMT +5V
17	ORN	SIN
18	WHT/ORN	SIN-N
19	YEL	TACH+
20	#24 BLK/ORN	LMT COM
21(1/3)	#22 GRN	ENC COM
21(2/3)	#22 WHT/GRN	ENC COM
21(3/3)	INNER SHIELD	INNER SHIELD
22	PINK	HOME LMT
23	YEL/BLK	ENC FLT
24	GRY	CCW/- LMT
25	BLU	BRAKE+

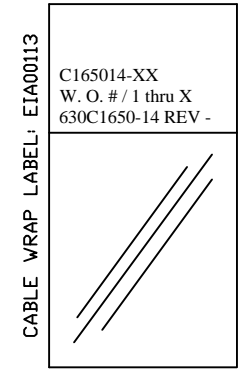
UNUSED WIRES (ECX01182): NONE

SIGNAL	WIRE COLOR	FERRULE
OUTER SHIELD	CLEAR	EIKO1084
EXT SD	BLK	EIKO1084
ENC +5V	#22 VIO	EIKO1070
COM	GRN/BLK	EIKO1084
HALL B	WHT/GRY	EIKO1084
MKR-N	WHT/BRN	EIKO1084
MKR	BRN	EIKO1084
TACH-	WHT/YEL	EIKO1084
SETUP	#22 RED/BLK	EIKO1085
HALL A	GRY/BLK	EIKO1084
HALL C	GRY/RED	EIKO1084
CW/+ LMT	WHT	EIKO1084
BRAKE-	BLU/BLK	EIKO1084
BRAKE+	BLU	EIKO1084
CCW/- LMT	GRY	EIKO1084
ENC FLT	YEL/BLK	EIKO1084
HOME LMT	PINK	EIKO1084
ENC COM	#22 GRN	EIKO1070
LMT COM	#24 BLK/ORN	EIKO1084
TACH+	YEL	EIKO1084
SIN-N	WHT/ORN	EIKO1084
SIN	ORN	EIKO1084
LMT +5V	#24 RED/ORN	EIKO1084
COS-N	WHT/RED	EIKO1084
COS	RED	EIKO1084
INNER SHIELD	INNER SHIELD	N.C.

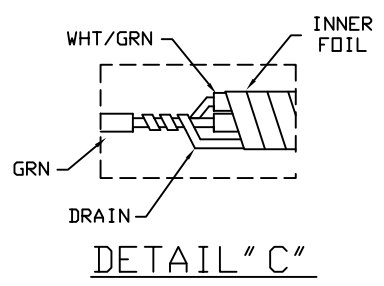
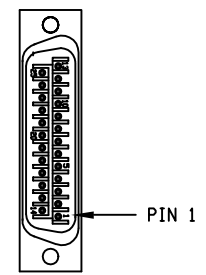
EIKO1070
 EIKO1085
 FOLD ALL #26 WIRES OVER BEFORE CRIMPING INTO EIKO1084 FERRULES
 EIKO1070



LABELS FOR C165014 CABLES:
 (2) REQUIRED,
 (1 AT EACH END)



- 4 UNWRAP INNER FOIL SHIELD AS FAR BACK AS POSSIBLE. SEPARATE GREEN WIRE INSULATION. SOLDER-SPLICE WHT/GRN & INNER DRAIN WIRES TO GREEN WIRE. WRAP INNER FOIL SHIELD OVER SOLDER-SPLICE. COVER INNER BUNDLE, SPLICE & INNER SHIELD WITH SHRINK TUBING AS FAR IN CABLE AS POSSIBLE. CONNECT GREEN WIRE TO PIN 21. SEE DETAIL 'C'. NOTE: INNER SHIELD MUST NOT TOUCH OUTER SHIELD OR BACKSHELL.
- 3 FOR CRIMP TOOL USE AMP HANDLE ASSY 58074-1 WITH AMP HEAD ASSY 58063-2
- 2 STARTING CABLE LENGTH = 8' LONGER THAN REQUIRED LENGTH.
- 1 USE #2 GROMMET WITH 2 DOTS AS SHOWN, WHICH IS SUPPLIED W/BACKSHELL



PROPRIETARY INFORMATION
 THIS DRAWING IS THE PROPERTY OF AEROTECH, INC. AND IS SUBMITTED IN CONFIDENCE AND SHALL NOT BE REPRODUCED NOR COPIED NOR DISCLOSED TO OTHERS UNDER PENALTY OF LAW.

TOLERANCES ON FRACTIONS	DECIMALS	ANGLES
0 TO 6 ± 1/32	.XX ± .01	± 0-30'
OVER 6 ± 1/16	.XXX ± .005	

RMS FINISH	EXCEPT AS NOTED
✓	

DRAWN	JFM	4/17/6
CHECKED	AGS	4/18/6
APPD.	AGS	4/18/6

AEROTECH © AEROTECH, INC. 101 Zeta Drive
 Pittsburgh, PA. 15238
 (412) 963-7470 TWX710-795-3125

BRUSHLESS FEEDBACK CABLE
 120 DECIMETERS (40') MAX LENGTH
 CABLE: BL FB-25DU-FL-MAX120DM

PART CODE	SIZE	REV.
SEE ABOVE	C	-

SCALE NTS FILE NAME 630C1650-1401.DWG SHEET 1 OF 1