

REVISIONS			
REV.	ZONE	DESCRIPTION	DRAWN

AMP PLUG #745496-2 (ECK786)  
 AMPHENOL BACKSHELL #17-1726-2 (ECK656)  
 JACKSOCKETS (ECK00129)  
 LUTZE #117107 (STANDARD)  
 (25 COND. #24), ECX01192

AMP SOCKET #745495-2 (ECK789)  
 AMPHENOL BACKSHELL #17-1726-2 (ECK656)  
 LUTZE #117107 (STANDARD)  
 (25 COND. #24), ECX01192

PIN	WIRE	SIGNAL
13	WHT/PINK	BRK-
12	PINK	CW/+ LMT
11	YEL/BRN	HC
10	GRY/BRN	HA
9	-	-
8	-	-
7	YEL	MKR
6	WHT/YEL	MKR-N
5	WHT/GRN	HB
4	BRN/GRN	STAGE ID
3(1/3)	VIO	ENC +5V
3(2/3)	WHT/BLK	ENC +5V
3(3/3)	WHT/BLU	ENC +5V
2	GRY	EXT SD
1	SHIELD	SIG SHLD
14	WHT	COS
15	WHT/GRY	COS-N
16	RED	LMT +5V
17	BLUE	SIN
18	RED/BLUE	SIN-N
19	-	-
20	BLK	LMT COM
21(1/4)	GRN	ENC COM
21(2/4)	BRN/BLU	ENC COM
21(3/4)	BRN/RED	ENC COM
21(4/4)	WHT/RED	ENC COM
22	BRN	HOME LMT
23	-	-
24	GRY/PINK	CCW/- LMT
25	PINK/BRN	BRK+

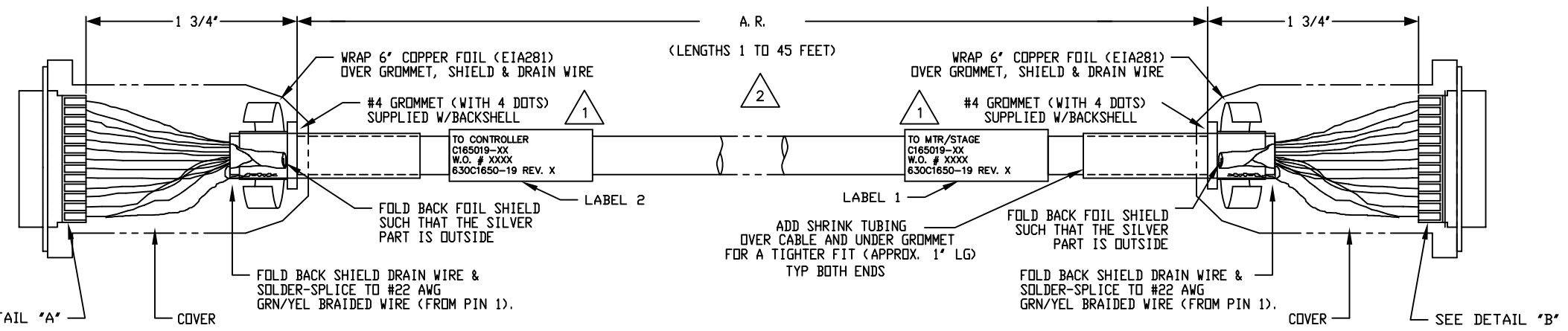
SIGNAL	WIRE	SKT
BRK-	WHT/PINK	13
CW/+ LMT	PINK	12
HC	YEL/BRN	11
HA	GRY/BRN	10
-	-	9
-	-	8
MKR	YEL	7
MKR-N	WHT/YEL	6
HB	WHT/GRN	5
STAGE ID	BRN/GRN	4
ENC +5V	VIO	3(1/3)
ENC +5V	WHT/BLK	3(2/3)
ENC +5V	WHT/BLU	3(3/3)
EXT SD	GRY	2
SIG SHLD	SHIELD	1
COS	WHT	14
COS-N	WHT/GRY	15
LMT +5V	RED	16
SIN	BLUE	17
SIN-N	RED/BLUE	18
-	-	19
LMT COM	BLK	20
ENC COM	GRN	21(1/4)
ENC COM	BRN/BLU	21(2/4)
ENC COM	BRN/RED	21(3/4)
ENC COM	WHT/RED	21(4/4)
HOME LMT	BRN	22
-	-	23
CCW/- LMT	GRY/PINK	24
BRK+	PINK/BRN	25



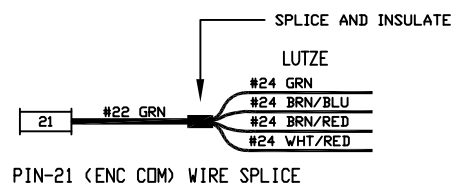
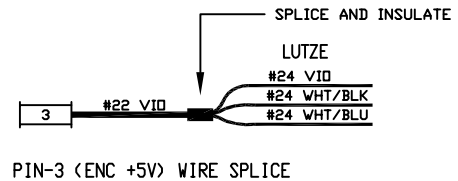
DETAIL "A"  
 AMP PLUG #745496-2 (ECK786)



DETAIL "B"  
 AMP SOCKET #745495-2 (ECK789)



- 3 FOR CRIMP TOOL USE AMP HANDLE ASSY 58074-1 WITH AMP HEAD ASSY 58063-2
- 2 STARTING CABLE LENGTH = 6' LONGER THAN REQUIRED LENGTH.
- 1 USE #4 GROMMET WITH 4 DOT AS SHOWN BELOW WHICH IS SUPPLIED W/BACKSHELL



PROPRIETARY INFORMATION  
 THIS DRAWING IS THE PROPERTY  
 OF AEROTECH, INC. AND IS  
 SUBMITTED IN CONFIDENCE AND  
 SHALL NOT BE REPRODUCED NOR  
 COPIED NOR DISCLOSED TO OTHERS  
 UNDER PENALTY OF LAW.



AEROTECH, INC. 101 Zeta Drive  
 Pittsburgh, PA. 15238  
 (412)963-7470  
 www.aerotech.com

TOLERANCES ON		
FRACTIONS	DECIMALS	ANGLES
0 TO 6 ± 1/32	.XX ± .01	± 0-30'
OVER 6 ± 1/16	.XXX ± .005	

HIGH-FLEX BRUSHLESS FEEDBACK  
 EXTENSION CABLE 140DM MAX LENGTH  
 CABLE: BL FB-25DUJS-25DU-HF MAX140DM

DRAWN	EJB	11/15/13
CHECKED	AGS	11/15/13
APPD.	AGS	11/15/13

PART CODE	SIZE	REV.
C165019-XX	C	-
SCALE NTS	FILE NAME 630C1650-1901.dwg	SHEET 1 OF 1