

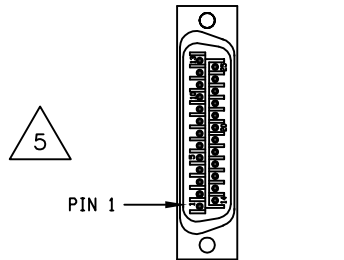
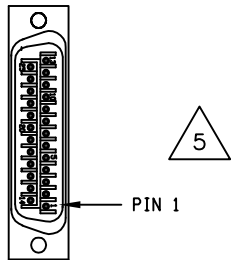
REVISIONS				
REV.	ZONE	DESCRIPTION	DATE	DRAWN
A		ADDED ECN7091	06/03	JRF
B		ADDED ECN8958	10/7/05	JAB
C		ADDED ECN11280	07/08	JRF

AMP PLUG #745496-2 (ECK786)  
 AMPHENOL BACKSHELL #17-1726-2 (ECK656)  
 LUTZE #117107 (STANDARD)  
 (25 COND. #24), ECX01192  
 OLFLEX #27438 (25 COND. #24),  
 ECX01121 (OPTIONAL)

PIN	WIRE	WIRE	SIGNAL
13	WHT/PINK	WHT/GRN	BRK-
12	PINK	WHT	CW/+ LMT
11	YEL/BRN	WHT/BLU	HC
10	GRY/BRN	GRY/PNK	HA
9	-	-	-
8	-	-	-
7	YEL	GREY	MKR
6	WHT/YEL	GRY/BRN	MKR-N
5	WHT/GRN	WHT/YEL	HB
4	-	-	-
3(1/4)	VIO	VIO	ENC +5V
3(2/4)	WHT/BLK	YEL/BRN	ENC +5V
3(3/4)	BRN/GRN	BRN/GRN	ENC +5V
3(4/4)	WHT/BLU	BRN/BLU	ENC +5V
2	GRY	WHT/PNK	EXT SD
1	SHIELD	SHIELD	SIG SHLD
14	WHT	WHT/RED	COS
15	WHT/GRY	BRN/RED	COS-N
16	RED	RED	LMT +5V
17	BLUE	PNK/BRN	SIN
18	RED/BLUE	WHT/BLK	SIN-N
19	-	-	-
20	BLK	GRN	LMT COM
21(1/4)	GRN	BLU	ENC COM
21(2/4)	BRN/BLU	PNK	ENC COM
21(3/4)	BRN/RED	YEL	ENC COM
21(4/4)	WHT/RED	BRN	ENC COM
22	BRN	RED/BLU	HM LMT
23	-	-	-
24	GRY/PINK	BLK	CCW/- LMT
25	PINK/BRN	WHT/GRY	BRK+

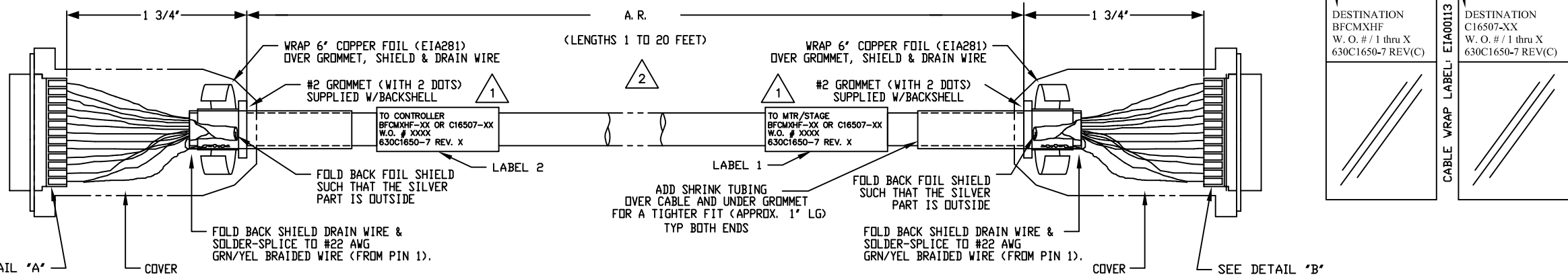
AMP SOCKET #745495-2 (ECK789)  
 AMPHENOL BACKSHELL #17-1726-2 (ECK656)  
 LUTZE #117107 (STANDARD)  
 (25 COND. #24), ECX01192  
 OLFLEX #27438 (25 COND. #24),  
 ECX01121 (OPTIONAL)

SIGNAL	WIRE	WIRE	SKT
BRK-	WHT/GRN	WHT/PINK	13
CW/+ LMT	WHT	PINK	12
HC	WHT/BLU	YEL/BRN	11
HA	GRY/PNK	GRY/BRN	10
-	-	-	9
-	-	-	8
MKR	GREY	YEL	7
MKR-N	GRY/BRN	WHT/YEL	6
HB	WHT/YEL	WHT/GRN	5
-	-	-	4
ENC +5V	VIO	VIO	3(1/4)
ENC +5V	YEL/BRN	WHT/BLK	3(2/4)
ENC +5V	BRN/GRN	BRN/GRN	3(3/4)
ENC +5V	BRN/BLU	WHT/BLU	3(4/4)
EXT SD	WHT/PNK	GRY	2
SIG SHLD	SHIELD	SHIELD	1
COS	WHT/RED	WHT	14
COS-N	BRN/RED	WHT/GRY	15
LMT +5V	RED	RED	16
SIN	PNK/BRN	BLUE	17
SIN-N	WHT/BLK	RED/BLUE	18
-	-	-	19
LMT COM	GRN	BLK	20
ENC COM	BLU	GRN	21(1/4)
ENC COM	PNK	BRN/BLU	21(2/4)
ENC COM	YEL	BRN/RED	21(3/4)
ENC COM	BRN	WHT/RED	21(4/4)
HM LMT	RED/BLU	BRN	22
-	-	-	23
CCW/- LMT	BLK	GRY/PINK	24
BRK+	WHT/GRY	PINK/BRN	25



DETAIL "A"  
AMP PLUG #745496-2 (ECK786)

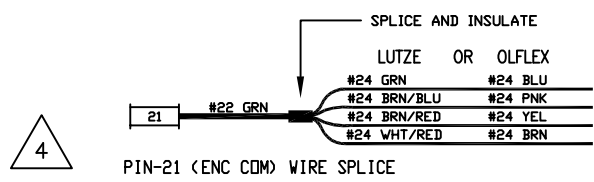
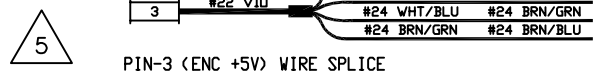
DETAIL "B"  
AMP SOCKET #745495-2 (ECK789)



3 FOR CRIMP TOOL USE AMP HANDLE ASSY 58074-1 WITH AMP HEAD ASSY 58063-2

2 STARTING CABLE LENGTH = 6' LONGER THAN REQUIRED LENGTH.

1 USE #1 GROMMET WITH 1 DOT AS SHOWN BELOW WHICH IS SUPPLIED W/BACKSHELL



PROPRIETARY INFORMATION  
 THIS DRAWING IS THE PROPERTY  
 OF AEROTECH, INC. AND IS  
 SUBMITTED IN CONFIDENCE AND  
 SHALL NOT BE REPRODUCED NOR  
 COPIED NOR DISCLOSED TO OTHERS  
 UNDER PENALTY OF LAW.

TOLERANCES ON  
 FRACTIONS DECIMALS ANGLES  
 0 TO 6 ± 1/32 .XX ± .01 ± 0-30'  
 OVER 6 ± 1/16 .XXX ± .005

RMS FINISH	EXCEPT AS NOTED
DRAWN	JAB 10/7/05
CHECKED	AGS 10/7/05
APPD.	AGS 10/7/05

PART CODE:

C16507-XX	C16507-1 TO -120 MAX LENGTH (DECIMETERS)
BFCMXHF-XX	BFCMXHF-1 TO -40 MAX LENGTH (FEET)

**AEROTECH**®  
 AEROTECH, INC. 101 Zeta Drive  
 Pittsburgh, PA. 15238  
 (412)963-7470  
 www.aerotech.com

**HIGH-FLEX BRUSHLESS FEEDBACK CABLE**  
**120 DECIMETERS (40') MAX LENGTH**  
**CABLE: BL FB-25DU-25DU-HF MAX120DM**

PART CODE	SIZE	REV.
SEE ABOVE	C	C

SCALE NTS FILE NAME 630C1650-7C1.dwg SHEET 1 OF 1