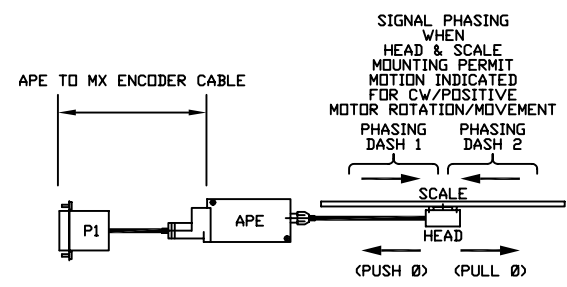
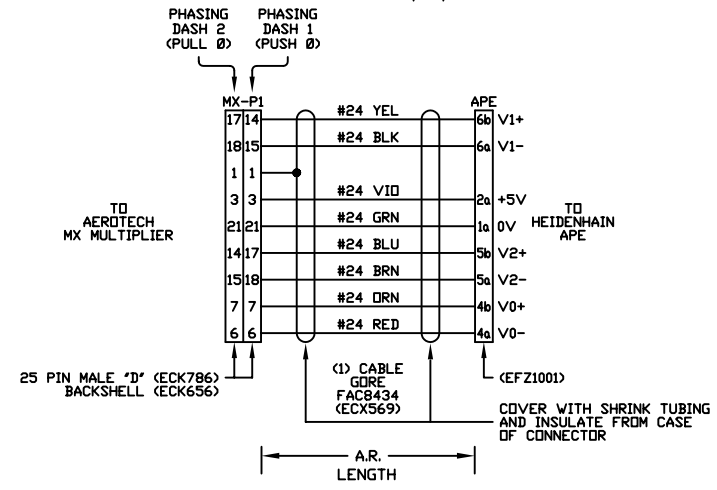


REVISIONS				
SYM.	ZONE	DESCRIPTION	DATE	APPROVAL
A	C-3	ADDED ECN2462	02-25-97	
B	-	ADDED ECN2908	9-22-97	LTL
C	-	ADDED ECN4715	3/21/00	JAB
D	-	ADDED ECN6900	4/10/03	RWR

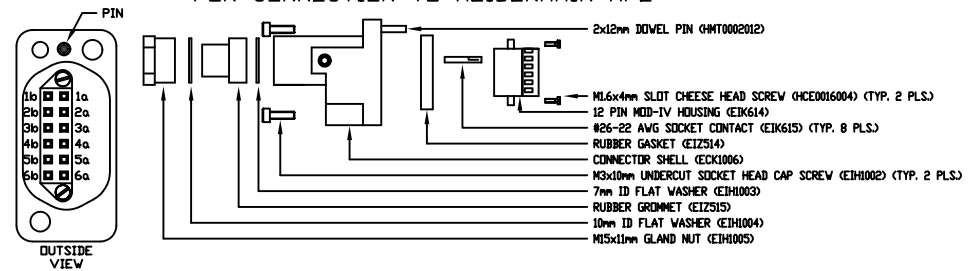
AEROTECH STANDARD CONNECTOR PINOUT FOR REFERENCE:

- 14 - CDS
- 15 - CDS-N
- 17 - SIN
- 18 - SIN-N
- 7 - MKR
- 6 - MKR-N
- 3 - ENC +5V
- 21 - ENC CDM

**FIGURE-A**  
WIRING OUTLINE FOR HEIDENHAIN LIP481 AND LIF181 ENCODERS WITH 1Vp-p OUTPUTS

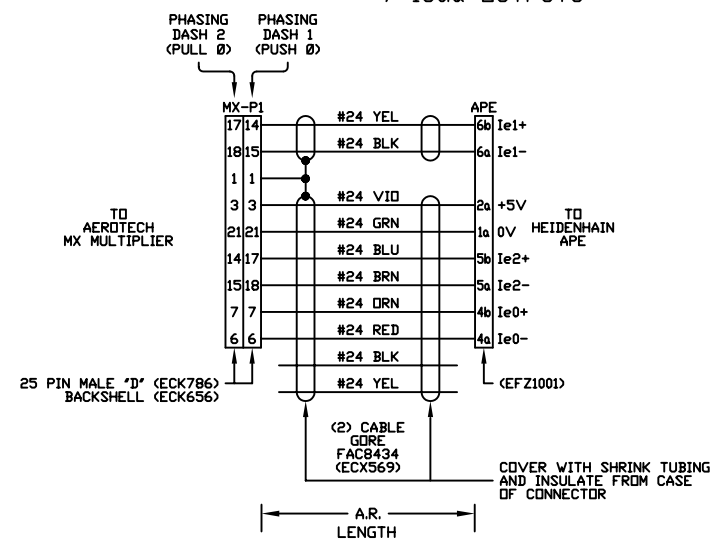


**VIEW-A**  
EFZ1001 ASSEMBLY FOR CONNECTION TO HEIDENHAIN APE

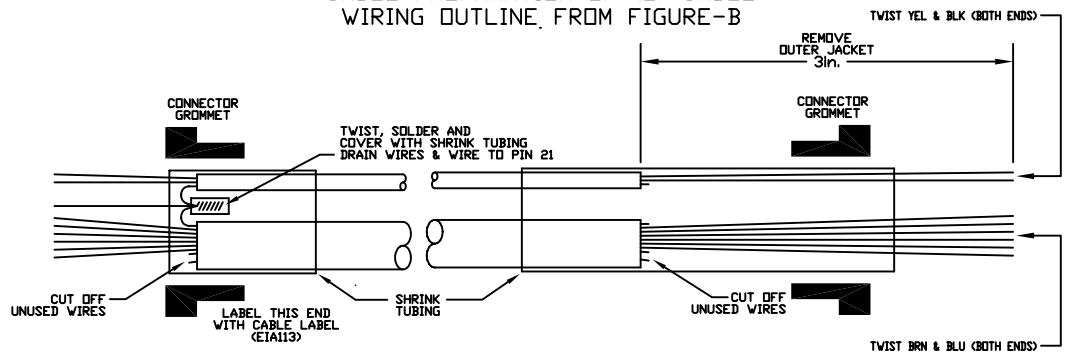


SELECT

**FIGURE-B**  
WIRING OUTLINE FOR HEIDENHAIN LIP401 AND LIF101 ENCODERS WITH 7-16uA OUTPUTS



**VIEW-B**  
CABLE PREPARATION OF (2) CABLE WIRING OUTLINE FROM FIGURE-B



PROPRIETARY INFORMATION  
THIS DRAWING IS THE PROPERTY OF AEROTECH, INC. AND IS SUBMITTED IN CONFIDENCE AND SHALL NOT BE REPRODUCED NOR COPIED NOR DISCLOSED TO OTHERS UNDER PENALTY OF LAW.

**AEROTECH** © AEROTECH, INC. 101 Zeta Drive  
Pittsburgh, PA. 15238  
(412)963-7470 TWX710-795-3125

TOLERANCES ON FRACTIONS DECIMALS ANGLES		
0 TO 6 ± 1/32 .XX ± .01 ± 0-30'		
OVER 6 ± 1/16 .XXX ± .005		
RMS FINISH	EXCEPT AS NOTED	
DRAWN	JAB	4/14/00
CHECKED	EJB	4/14/00
APPD.	EJB	4/14/00

<b>APE TO MX ENCODER CABLE ASSEMBLY</b>			
PART CODE	SIZE	REV.	
EF0151	C	D	
630C1659-1		FILE NAME 630C1659-1D1.DWG SHEET 1 of 1	