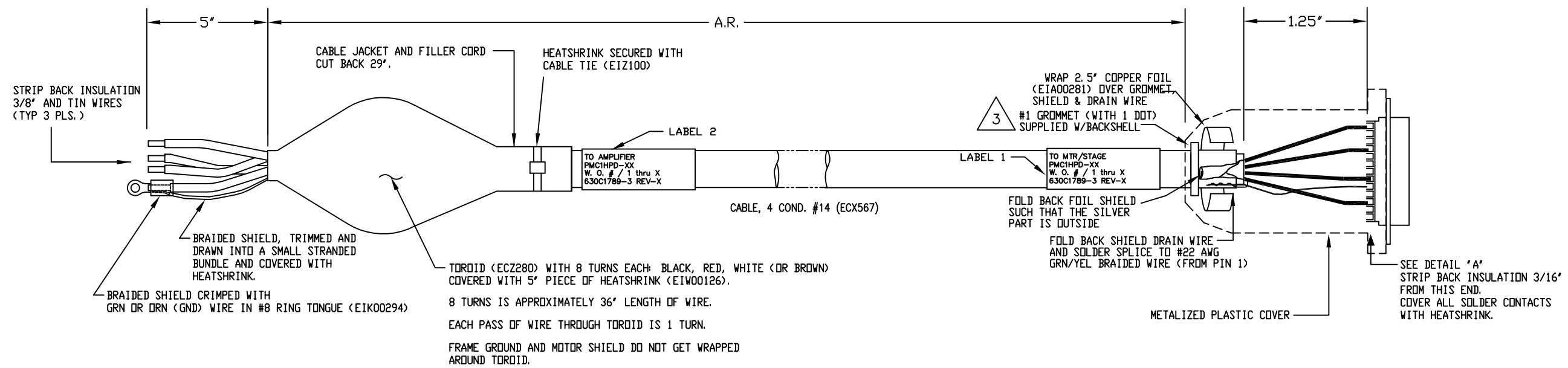
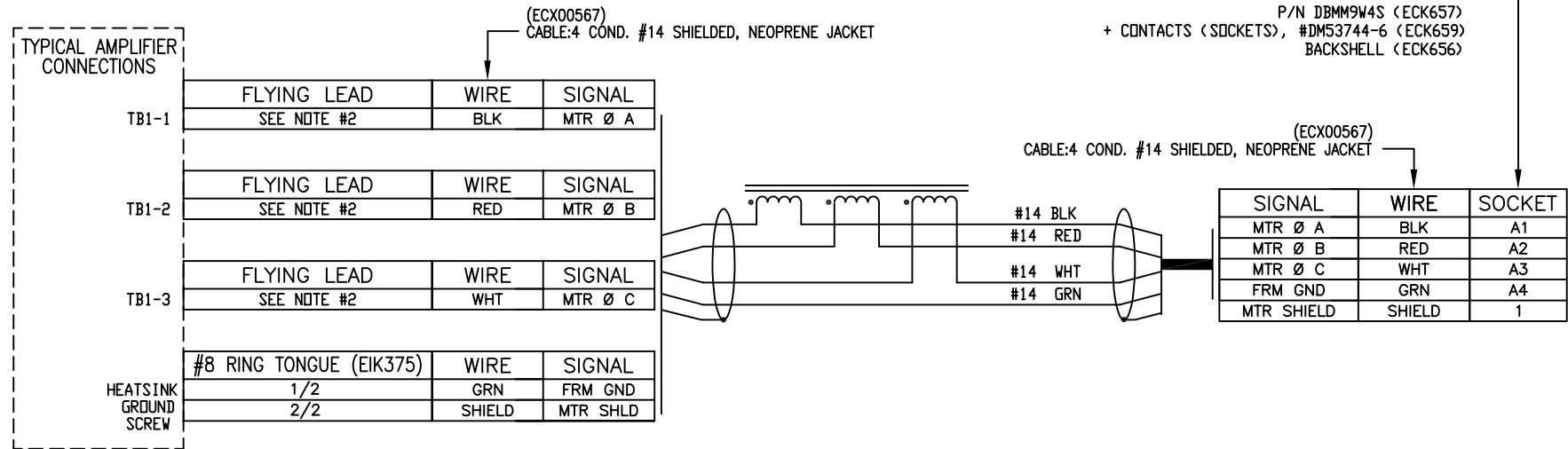
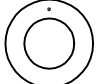
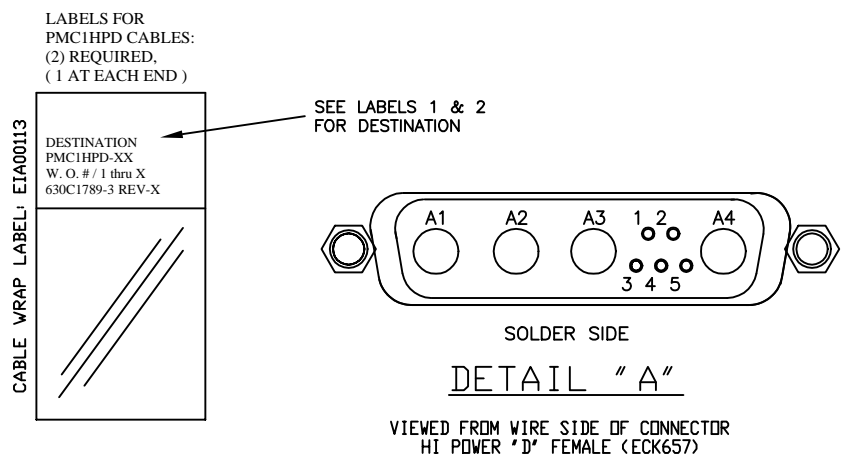



REVISIONS				
SYM.	ZONE	DESCRIPTION	DATE	APPROVAL
-		PREVIOUS DRAWING WAS 630C1789-2 DOCUMENTATION CHANGE ONLY	5/22/06	DCM



- 3 USE #1 GROMMET WITH 1 DOT AS SHOWN BELOW WHICH IS SUPPLIED W/BACKSHELL
- 
- 2 STRIP INSULATION BACK 3/8" AND TIN LEADS.
- 1 STARTING CABLE LENGTH = 2FT. BEYOND REQUIRED LENGTH.



CAD FILE: 630C1789-301.DWG

ITEM NO	PART OR IDENTIFYING NO	DESCRIPTION	SPEC	MATERIAL OR NOTE	QTY REQD
LIST OF MATERIAL					
MACHINING TOLERANCE MANUAL MM-1000 APPLIES UNLESS OTHERWISE SPECIFIED			 AEROTECH, INC. 101 Zeta Drive Pittsburgh, PA. 15238 (412)963-7470 TWX710-795-3125		
TOLERANCES ON FRACTIONS 0 TO 6+DR- 1/32 .XX +DR- .01 +DR- 0-30' OVER 6+DR-1/16 .XXX +DR-.005					
RMS FINISH			EXCEPT AS NOTED		
DRAWN	DCM	5/22/06	BRUSHLESS MOTOR CABLE PMC1HPD-XX		
CHECKED	JLD	5/22/06			
DESIGN					
ENGRG					
PRDD					
Q. A.			CODE IDENT. NO.	SIZE	REV.
APPD	JLD	5/22/06	PMC1HPD-XX	C	-
SCALE NTS			WT.	630C1789-3	
			SHEET 1 of 1		