

REVISIONS				
SYM.	ZONE	DESCRIPTION	DATE	APPROVAL

AMP PLUG #745496-2 (ECK786)
 AMPHENDL BACKSHELL #17-1726-2 (ECK656)
 CONSOLIDATED #5736
 (20 COND. #22), ECX579

STRAIGHT PLUG MS3106A-20 (MDM454)
 INSERT NS20-29S (MDM464)
 CLAMP 97-3057-1012 (MDM457)
 BUSHING AN3055-22-12 (MDM493)
 CONSOLIDATED #5736
 (20 COND. #22), ECX579

PIN	WIRE	SIGNAL
13	GRN/WHT	BRK-
12	-	-
11	BLU/WHT	HC
10	RED/WHT	HA
9	-	-
8	-	-
7	BLU/BLK	MKR
6	ORN/BLK	MKR-N
5	BLK/WHT	HB
4	-	-
3(1/2)	RED/GRN	ENC +5V
3(2/2)	RED/BLK	ENC +5V
2	-	-
1	SHIELD	SIG SHLD
14	WHT/RED	COS
15	ORN/RED	COS-N
16	-	-
17	BLU/RED	SIN
18	BLK/RED	SIN-N
19	-	-
20	-	-
21(1/2)	BLUE	ENC COM
21(2/2)	GRN/BLK	ENC COM
22	-	-
23	-	-
24	-	-
25	WHT/BLK	BRK+

SIGNAL	WIRE	SOCKET
ENC COM	BLUE	G(1/2)
ENC COM	GRN/BLK	G(2/2)
ENC +5V	RED/GRN	H(1/2)
ENC +5V	RED/BLK	H(2/2)
SIG SHLD	SHIELD	J
MKR-N	ORN/BLK	F
BRK+	WHT/BLK	S
-	-	R
MKR	BLU/BLK	E
HA	RED/WHT	K
-	-	L
BRK-	GRN/WHT	T
HC	BLU/WHT	P
SIN-N	BLK/RED	D
HB	BLK/WHT	M
-	-	N
SIN	BLU/RED	C
COS-N	ORN/RED	B
COS	WHT/RED	A

(ECX579) UNUSED WIRES (5)
 WHT, RED, GRN, ORN, BLK

4

USE 2' LENGTHS OF THICK WALL HEATSHRINK TUBING (EIW00113 - QTY 1, EIW00112 - QTY 1) TO BUILD UP CABLE DIAMETER FOR PROPER STRAIN RELIEFING. STRAIN RELIEFING MUST WITHSTAND 35 LB. PULL.

CUT THICK WALL HEATSHRINK TUBING WITH CABLE CUTTER SUCH THAT ENDS ARE PERPENDICULAR TO CABLE AND CUT IS SMOOTH.

THICK WALL HEATSHRINK TUBING:

AMP # 53701-1 (EIW00112) MAX INSIDE DIA = .750" (EXPANDED), MIN INSIDE DIA = .220" (RECOVERED)

AMP # 53700-1 (EIW00113) MAX INSIDE DIA = .400" (EXPANDED), MIN INSIDE DIA = .150" (RECOVERED)

3

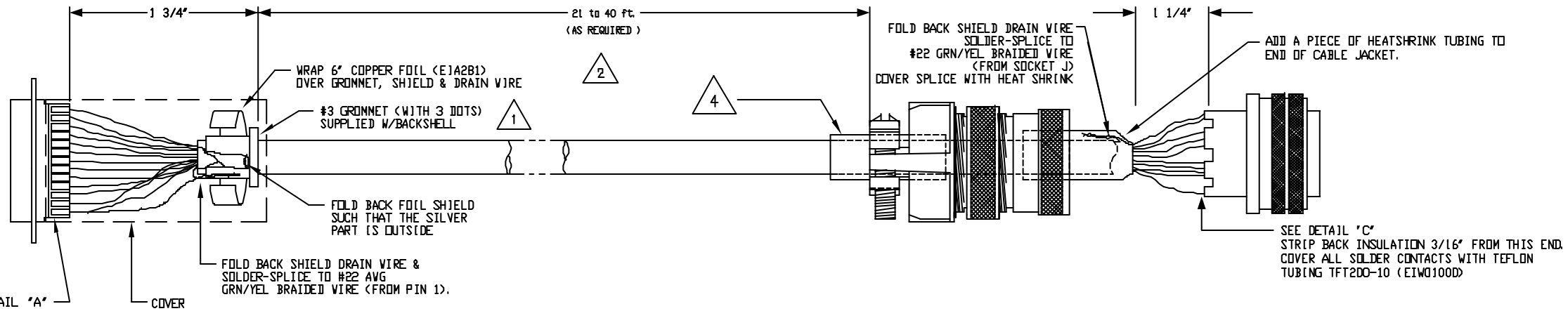
FOR CRIMP TOOL USE AMP HANDLE ASSY 58074-1 WITH AMP HEAD ASSY 58063-2

2

STARTING CABLE LENGTH = 6in. BEYOND SPECIFIED CABLE LENGTH DO NOT EXCEED LENGTH OF 40 FT FOR THIS DESIGN

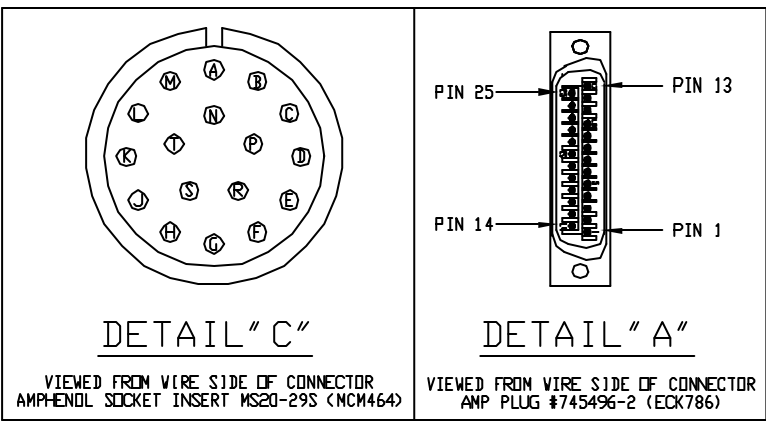
1

USE #3 GRONMET WITH 3 DOTS AS SHOWN BELOW WHICH IS SUPPLIED W/BACKSHELL



SEE DETAIL "A" COVER

SEE DETAIL "C" STRIP BACK INSULATION 3/16" FROM THIS END. COVER ALL SOLDER CONTACTS WITH TEFLON TUBING TFT200-10 (EIW100D)



ITEM NO	PART OR IDENTIFYING NO	DESCRIPTION	SPEC	MATERIAL OR NOTE	QTY REQD
LIST OF MATERIAL					
MACHINING TOLERANCE MANUAL MM-1000 APPLIES UNLESS OTHERWISE SPECIFIED		AEROTECH, INC. 101 Zeta Drive Pittsburgh, PA. 15238 (412)963-7470 TWX710-795-3125			
TOLERANCES ON FRACTIONS DECIMALS ANGLES 0 TO 60°- 1/32 .001 45°- 90° 1/32 OVER 60°- 1/16 .001 45°- 90°					
RMS FINISH		EXCEPT AS NOTED			
DRAWN	LTL	3-8-00	BFCNL-21 TO 40 (NO LIMITS) BRUSHLESS FEEDBACK CABLE (LENGTHS 21 TO 40 FEET)		
CHECKED	AGS	3-8-00			
DESIGN					
ENGRG					
PROD			CODE IDENT. NO	SIZE	REV.
D. A.			BFCNL	C	-
APPD	AGS	3-8-00	SCALE	FILE NAME	SHEET
			NTS	630C1857-2D1.dwg	1

PROPRIETARY INFORMATION
 THIS DRAWING IS THE PROPERTY OF AEROTECH, INC. AND IS SUBMITTED IN CONFIDENCE AND SHALL NOT BE REPRODUCED NOT COPIED NOR DISCLOSED TO OTHERS