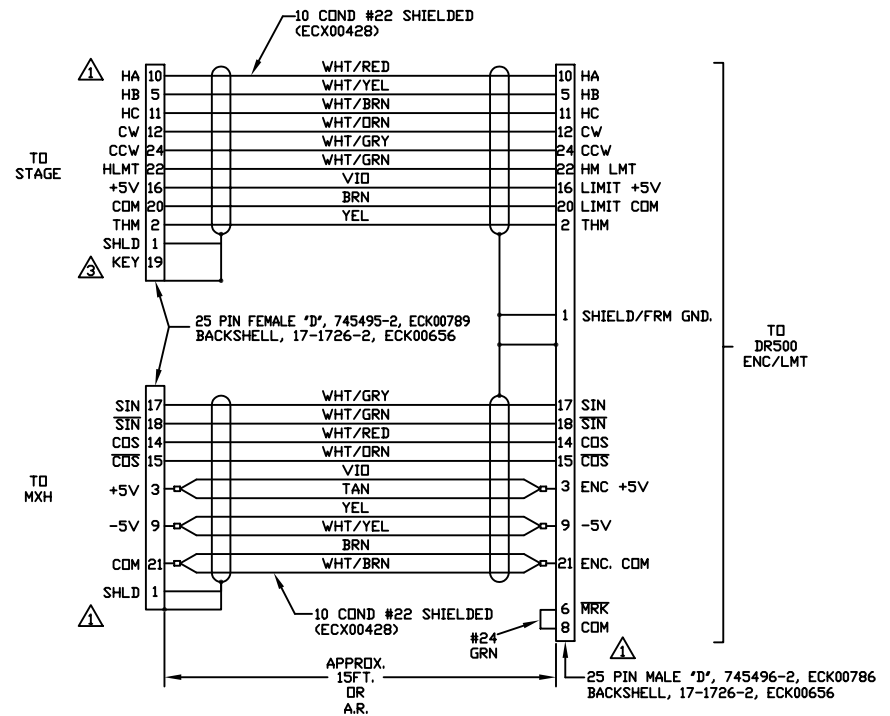
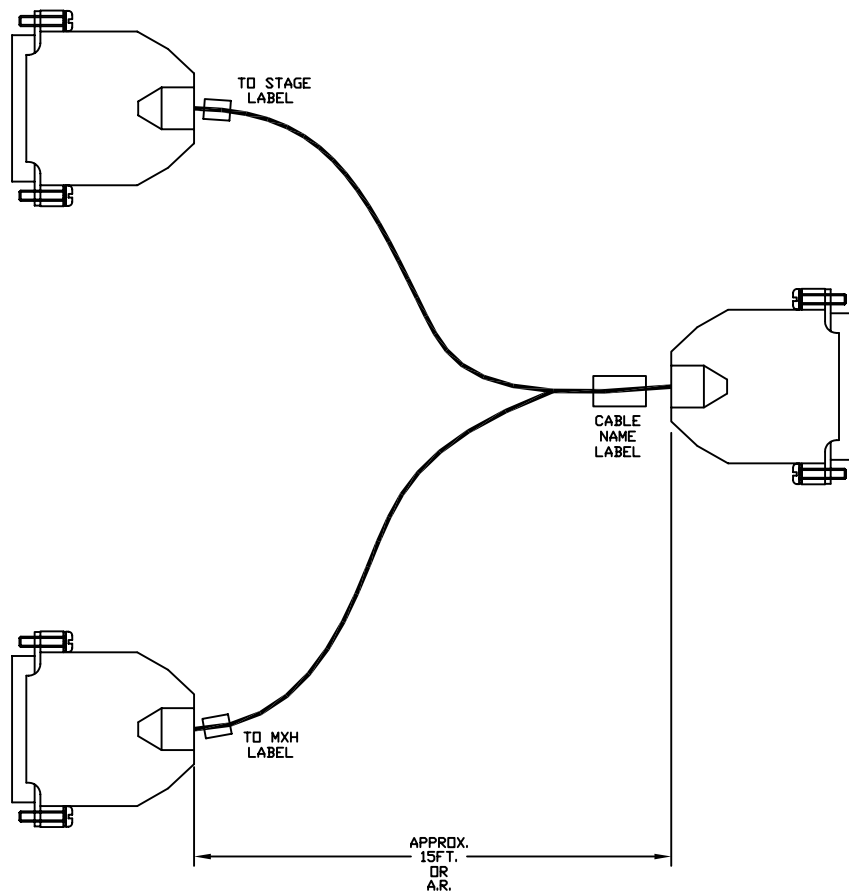
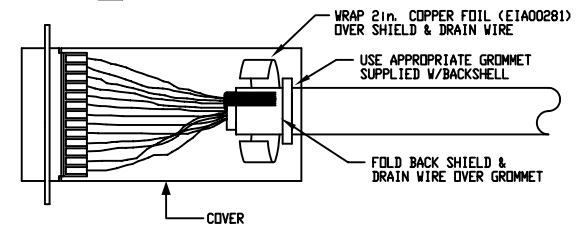


REVISIONS				
SYN	ZONE	DESCRIPTION	DATE	APPROVAL
A		ADDED ECKN579	05/01	JRF

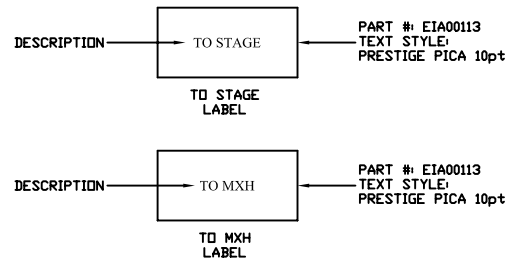
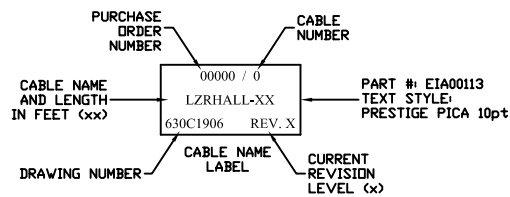


**METALLIZED CONNECTOR SHIELDING**



INSULATED & TIE BACK UNUSED WIRES

KEY CONNECTOR USING ECK00785



PROPRIETARY INFORMATION  
THIS DRAWING IS THE PROPERTY  
OF AEROTECH, INC. AND IS  
SUBMITTED IN CONFIDENCE AND  
SHALL NOT BE REPRODUCED NOR  
COPIED NOR DISCLOSED TO OTHERS  
UNDER PENALTY OF LAW.



© AEROTECH, INC. 101 Zeta Drive  
Pittsburgh, PA. 15238  
(412)963-7470 TWX710-795-3125

TOLERANCES ON  
FRACTIONS DECIMALS ANGLES  
0 TO 6 ± 1/32 .XX ± .01 ± 0-30°  
OVER 6 ± 1/16 .XXX ± .005

LZRHALL  
MXH AND HALLEFFECT CABLE

RMS FINISH EXCEPT AS NOTED

DRAWN	JRF	02/15/01	PART CODE	SIZE	REV.
CHECKED	EJB	05/01	LZRHALL	c	A
APPD.	EJB	05/01	SCALE NTS	FILE NAME 630C1906A1.DWG	SHEET 1 OF 1