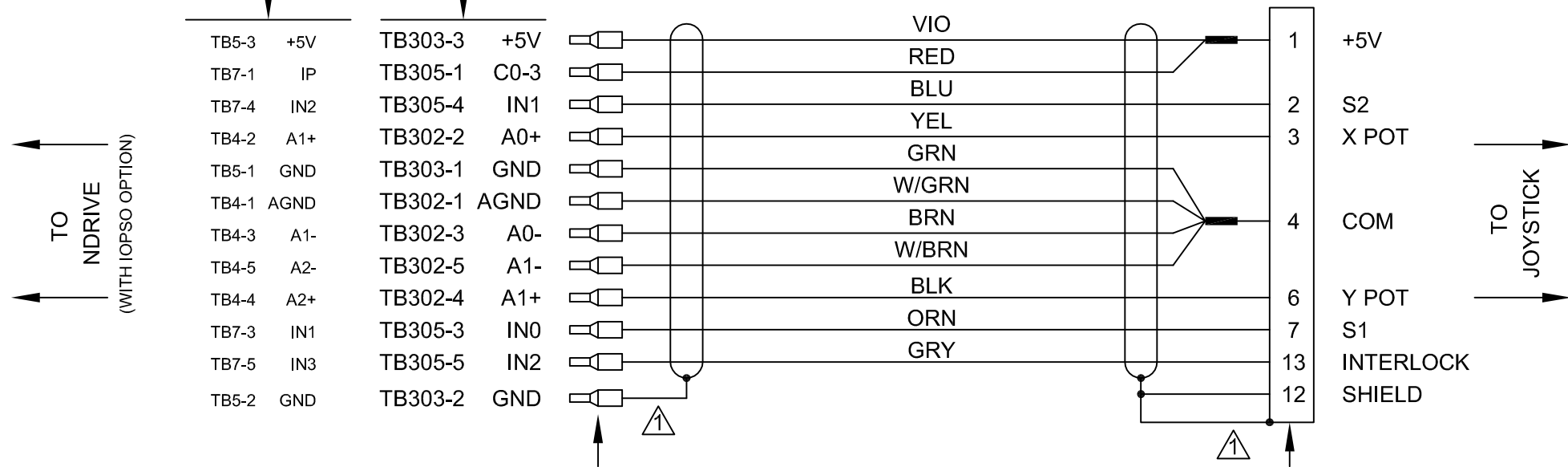


REVISIONS				
SYM.	ZONE	DESCRIPTION	DATE	APPROVAL
A		ADDED ECN7960	6/10/04	EJB
B		ADDED ECN8045	7/19/04	JAB

REV "A" NDRIVE
NOMENCLATURE

REV "-" NDRIVE
NOMENCLATURE

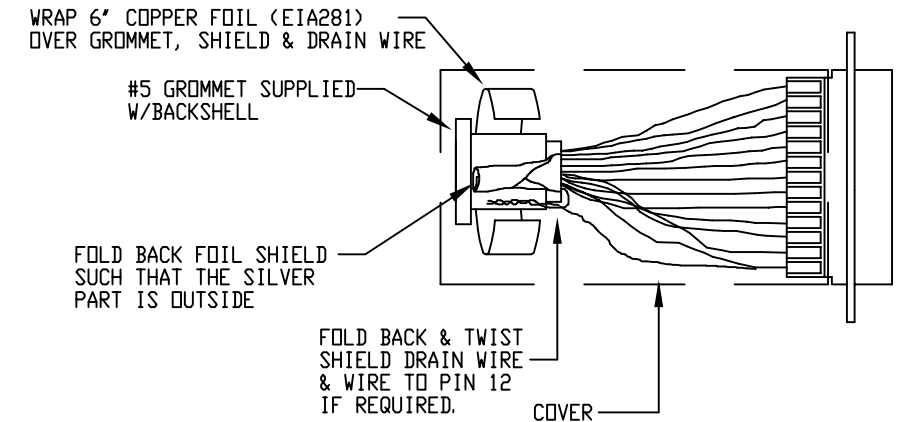
ECX01009
16 COND. #24
LENGTH A.R. SEE NOTE 2.



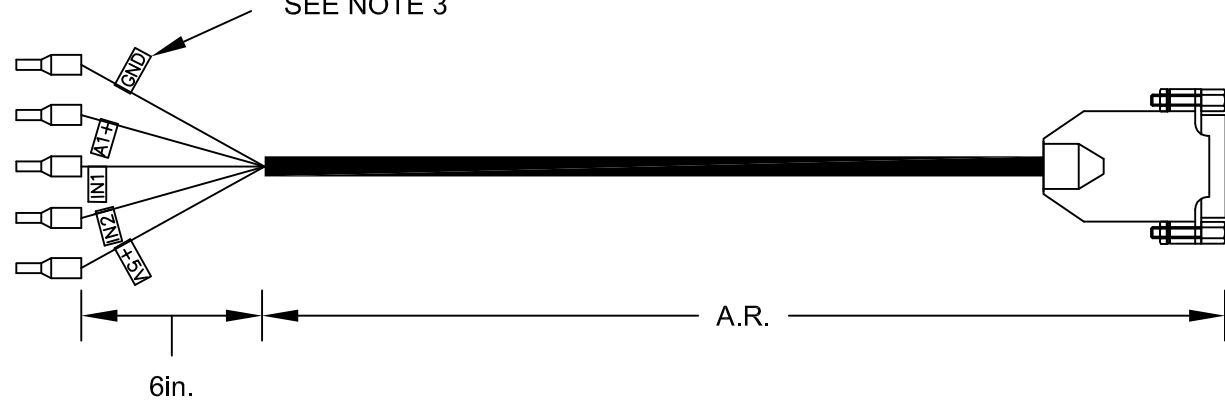
FERRULE, #3200014 (EIK01001) TYP. 12 PLS.
ADD BRADY WIRE MARKERS SEE NOTE 3.

15 LINE FEMALE "D"
745493-2, ECK00783
BACKSHELL, #17-1725-2, (ECK01022)
JACKSOCKETS, #207719-3, (ECK00129)

CONNECTOR SHIELDING



SEE NOTE 3



2. CABLE LENGTH

CAUTION, CABLE LENGTHS (XX) ARE IN DECIMETERS
EXAMPLE: C19791-30
30 = 30 DECIMETERS (3 METERS) = 10FT.

3. WIRE MARKERS

FLAG WIRES WITH BRADY LABELS
COMPUTER FILE NO. 630B1979-1B1.

LABEL FOR
C19791 CABLES:
(1) REQUIRED

C19791-XX
W. O. # / 1 thru X
630B1979-1 REV(X)

CABLE WRAP LABEL: EIA00113

PROPRIETARY INFORMATION
THIS DRAWING IS THE PROPERTY
OF AEROTECH, INC. AND IS
SUBMITTED IN CONFIDENCE AND
SHALL NOT BE REPRODUCED NOR
COPIED NOR DISCLOSED TO OTHERS
UNDER PENALTY OF LAW.

TOLERANCES ON		
FRACTIONS	DECIMALS	ANGLES
0 TO 6 ±1/32	.XX ±01	± 0-30'
OVER 6 ±1/16	.XXX ±005	

RMS FINISH EXCEPT AS NOTED

DRAWN	JAB	7/19/04
CHECKED	AGS	7/19/04
APPD.	AGS	7/19/04



AEROTECH, INC. 101 Zeta Drive
Pittsburgh, PA. 15238
www.aerotech.com

NDRIVEHP/HL SINGLE AXIS JOYSTICK EXTENSION CABLE (JSXT-FLY-15DU-MAX300DM)

PART CODE	SIZE	REV.
C19791-XX	B	B
SCALE NTS	FILE NAME	SHEET
	630B1979-1B1.DWG	1 of 1