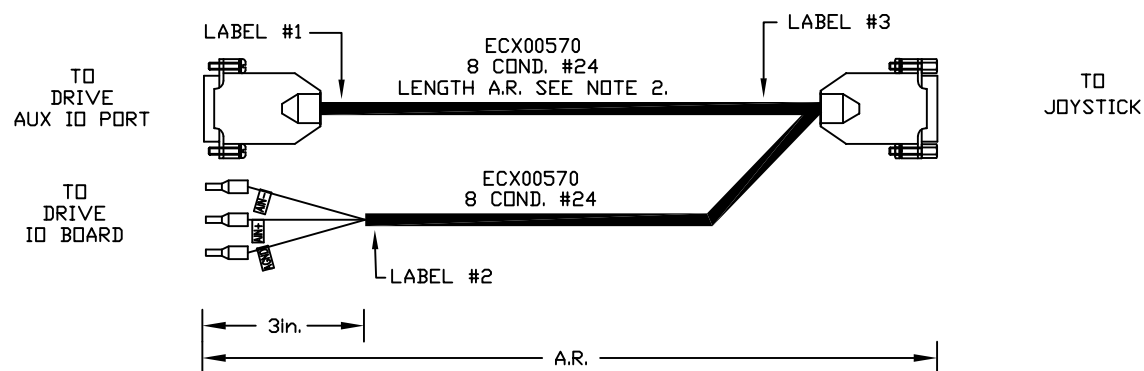
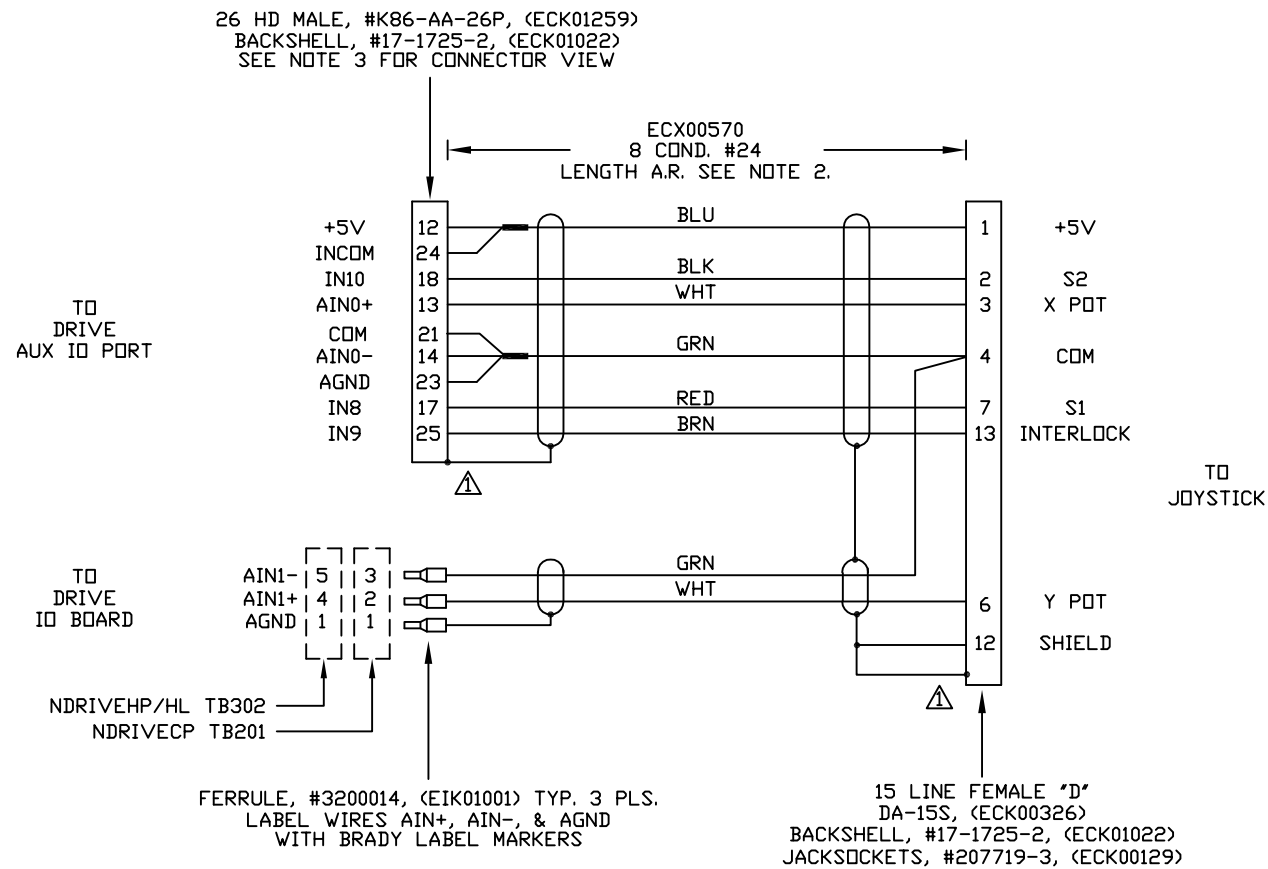
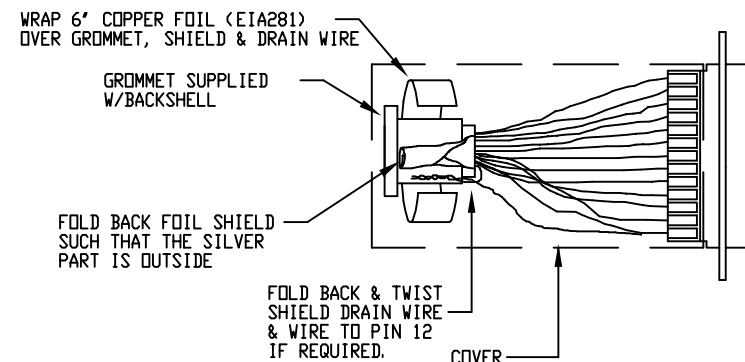


REVISIONS				
REV.	ZONE	DESCRIPTION	DATE	DRAWN



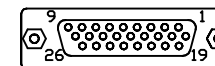
### CONNECTOR SHIELDING



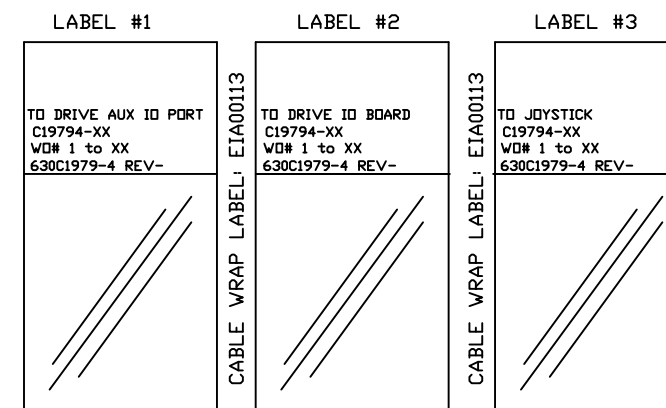
### CABLE LENGTH

CAUTION, CABLE LENGTHS (XX) ARE IN DECIMETERS  
EXAMPLE: C19794-30  
30 = 30 DECIMETERS (3 METERS) = 10FT.

### CONNECTOR VIEW FROM SOLDER SIDE.



### LABELLING



PART CODE:

C19794-XX	C19794-1 TO 380	LENGTHS 1 TO 38 METERS
-----------	-----------------	------------------------

PROPRIETARY INFORMATION  
THIS DRAWING IS THE PROPERTY  
OF AEROTECH, INC. AND IS  
SUBMITTED IN CONFIDENCE AND  
SHALL NOT BE REPRODUCED NOR  
COPIED NOR DISCLOSED TO OTHERS  
UNDER PENALTY OF LAW.



AEROTECH, INC. 101 Zeta Drive  
Pittsburgh, PA. 15238  
(412)963-7470  
www.aerotech.com

TOLERANCES ON	FRACTIONS	DECIMALS	ANGLES
0 TO 6	$\pm 1/32$	.XX $\pm .01$	$\pm 0-30'$
OVER 6	$\pm 1/16$	.XXX $\pm .005$	

RMS FINISH  EXCEPT AS NOTED

DRAWN	EJB	1/15/06
CHECKED	AGS	1/15/06
APPD.	AGS	1/15/06

## NDRIVEHP/HL DUAL AXIS JOYSTICK EXTENSION CABLE

CABLE: JSXT-FL 26HD-15DU-MAX300DM NDRIVEHP/HL DUAL AXIS

PART CODE	SIZE	REV.
SEE ABOVE	C	-
630C1979-4		
SCALE NTS	FILE NAME 630C1979-401.DWG	SHEET 1 OF 1