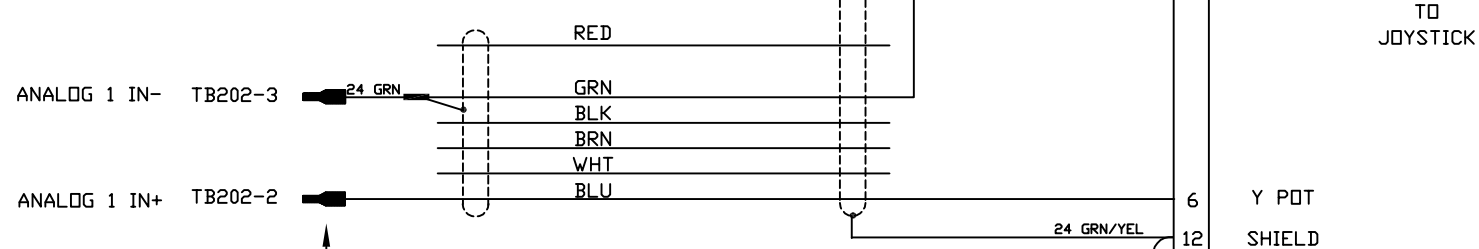
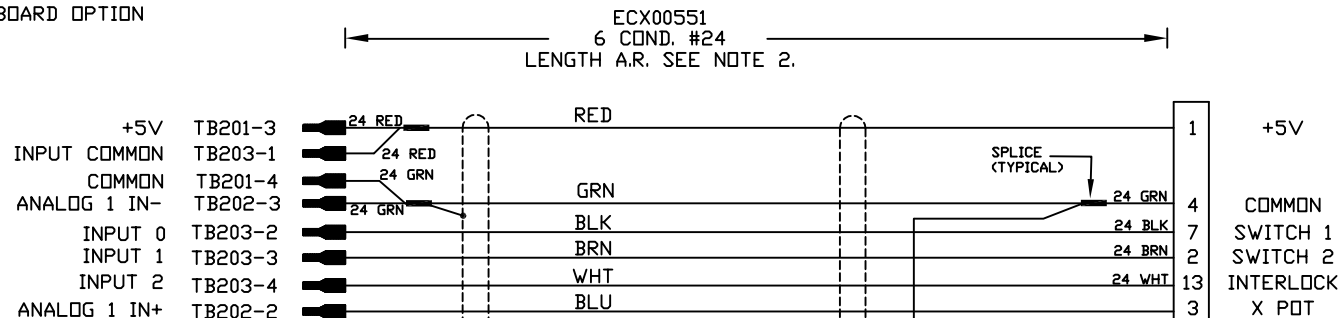


REVISIONS				
REV.	ZONE	DESCRIPTION	DATE	DRAWN

TO
Ndrive / Ensemble MP #1
IO BOARD OPTION

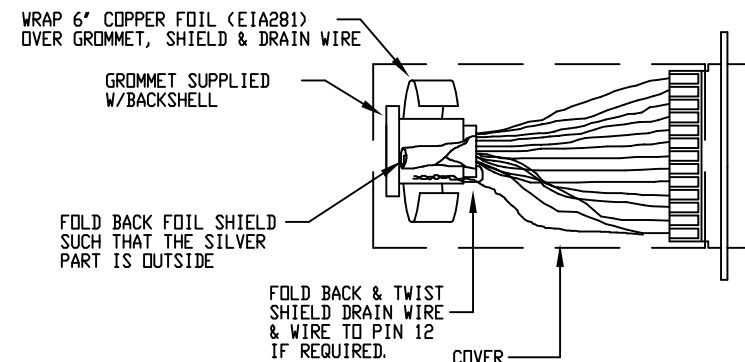


TO
Ndrive / Ensemble MP #2
IO BOARD OPTION

FERRULE, #3200014 (EIK01001) TYP. 10 PLS.
ADD BRADY WIRE MARKERS SEE NOTE 4.

BACKSHELL, #17-1725-2, (ECK01022)
JACKSOCKETS, #207719-3, (ECK00129)
15 LINE FEMALE "D"
DA-15S, ECK00326

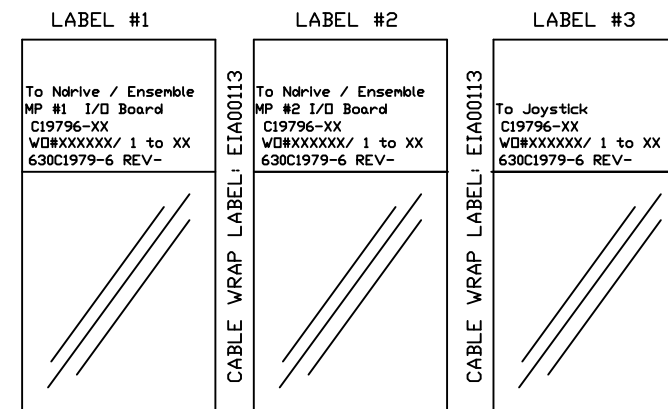
CONNECTOR SHIELDING



CABLE LENGTH

CAUTION, CABLE LENGTHS (XX) ARE IN DECIMETERS
EXAMPLE: C19796-30
30 = 30 DECIMETERS (3 METERS) = 10FT.

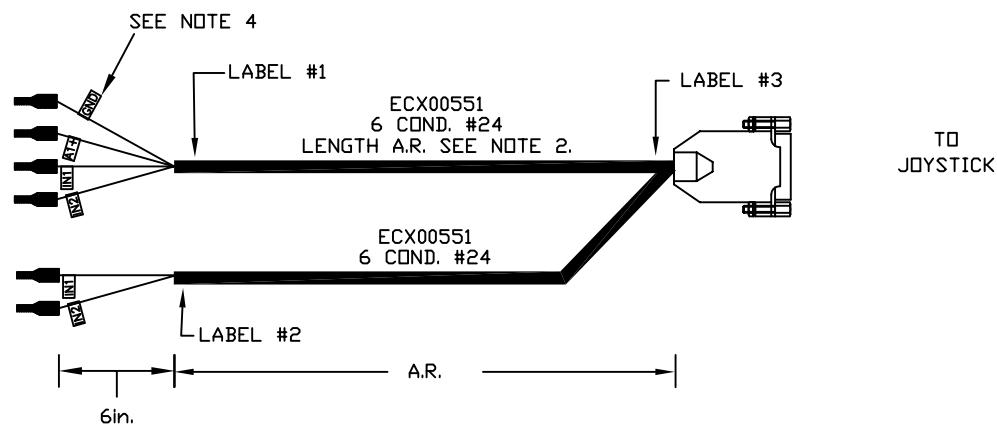
LABELLING



WIRE MARKERS

FLAG WIRES WITH BRADY LABELS
COMPUTER FILE NO. 630C1979-601.

TO
Ndrive / Ensemble MP #1
IO OPTION



TO
Ndrive / Ensemble MP #2
IO OPTION

PART CODE:

C19796-XX	C19796-1 TO 380	LENGTHS 1 TO 38 METERS
-----------	-----------------	------------------------

PROPRIETARY INFORMATION
THIS DRAWING IS THE PROPERTY
OF AEROTECH, INC. AND IS
SUBMITTED IN CONFIDENCE AND
SHALL NOT BE REPRODUCED NOR
COPIED NOR DISCLOSED TO OTHERS
UNDER PENALTY OF LAW.



AEROTECH, INC. 101 Zeta Drive
Pittsburgh, PA. 15238
(412)963-7470
www.aerotech.com

TOLERANCES ON FRACTIONS	DECIMALS	ANGLES
0 TO 6 ± 1/32	.XX ± .01	± 0-30'
OVER 6 ± 1/16	.XXX ± .005	

RMS FINISH	EXCEPT AS NOTED
------------	-----------------

**Ndrive / Ensemble MP 2 AXIS
Joystick Adapter Cable**

CABLE: JSXT-FLY FLY-15DU-MAX380DM

DRAWN	9/25/6	JFM
CHECKED	9/26/6	AGS
APPD.	9/26/6	AGS

PART CODE	SIZE	REV.
C19796	C	-
630C1979-6		
SCALE FULL	FILE NAME 630C1979-601.DWG	SHEET 1 OF 1