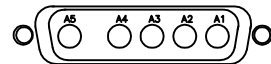


| REVISIONS | | | | |
|-----------|------|-------------|------|-------|
| REV. | ZONE | DESCRIPTION | DATE | DRAWN |
| | | | | |

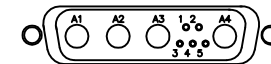
HI POWER "D" 5-PIN MALE (ECK01236) DETAILS



SOLDER SIDE
DETAIL "A"

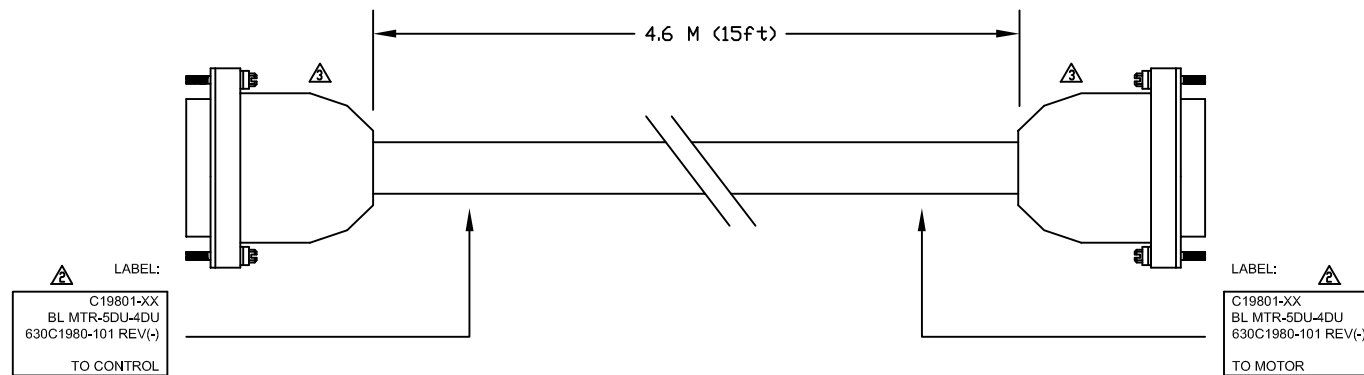
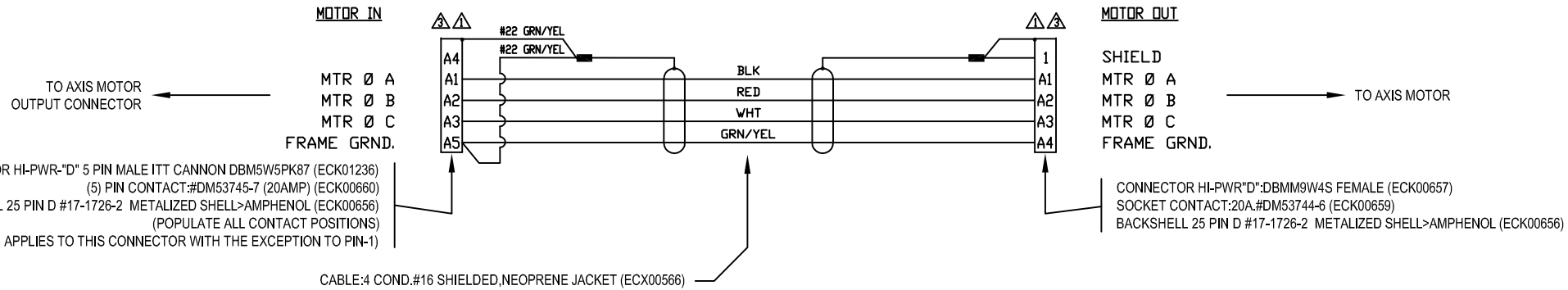
VIEWED FROM WIRE SIDE OF CONNECTOR

HI POWER "D" FEMALE (ECK00657) DETAILS

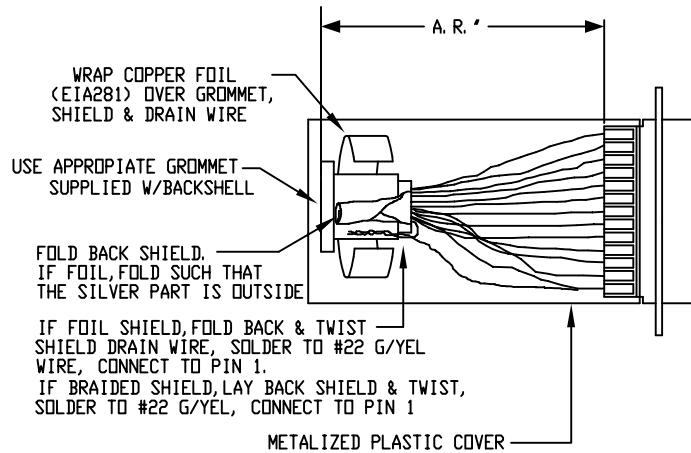


SOLDER SIDE
DETAIL "B"

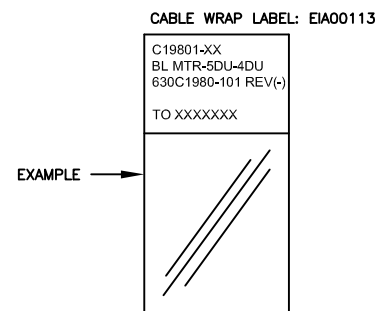
VIEWED FROM WIRE SIDE OF CONNECTOR



1 SHIELD TERMINATION WITH METALIZED PLASTIC COVERS WITH PIN 1 & SHIELD TIED TOGETHER.



2 CABLE LABELS LABEL CABLES AS PER ASSEMBLY VIEWS BELOW



3 CONNECTOR HARDWARE ALL CONNECTOR HARDWARE IS ENGLISH (4-40)

| | | | |
|---|------|---|---|
| PROPRIETARY INFORMATION THIS DRAWING IS THE PROPERTY OF AEROTECH, INC. AND IS SUBMITTED IN CONFIDENCE AND SHALL NOT BE REPRODUCED NOR COPIED NOR DISCLOSED TO OTHERS UNDER PENALTY OF LAW. | | AEROTECH, INC. 101 Zeta Drive Pittsburgh, PA. 15238 (412)963-7470 TWX710-795-3125 | |
| TOLERANCES ON FRACTIONS DECIMALS ANGLES 0 TO 6 ± 1/32 .XX ± .01 ± 0-30' OVER 6 ± 1/16 .XXX ± .005 | | C19801-XX BRUSHLESS MOTOR CABLE 5-PIN HI-POWER D CONN. W/ENGLISH HARDWARE TO 4-PIN HI-POWER D CONN. W/ENGLISH HARDWARE | |
| RMS FINISH | ✓ | EXCEPT AS NOTED | |
| DRAWN | JAB | 11/1/02 | REV. - |
| CHECKED | AGS | 11/1/02 | |
| APPD. | AGS | 11/1/02 | |
| PART CODE | SIZE | SCALE NTS | FILE NAME 630C1980-101.DWG SHEET 1 OF 1 |
| C19801-XX | C | | |
| 630C1980-1 | | | |