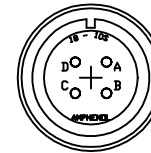
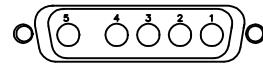


REVISIONS				
REV.	ZONE	DESCRIPTION	DATE	DRAWN



HI POWER "D" 5-PIN MALE (ECK01236) DETAILS

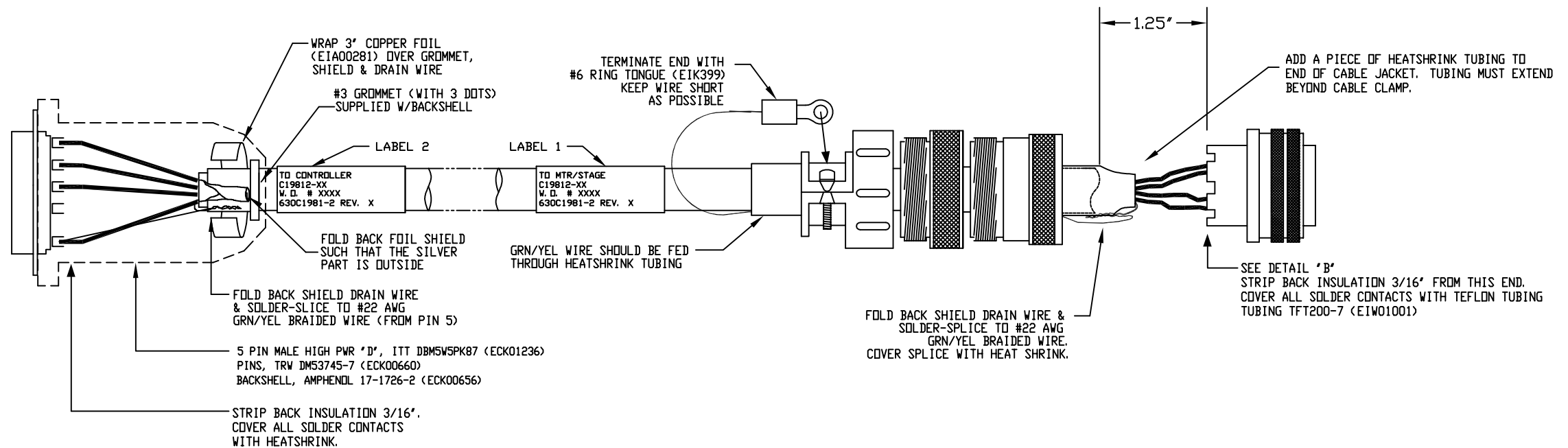
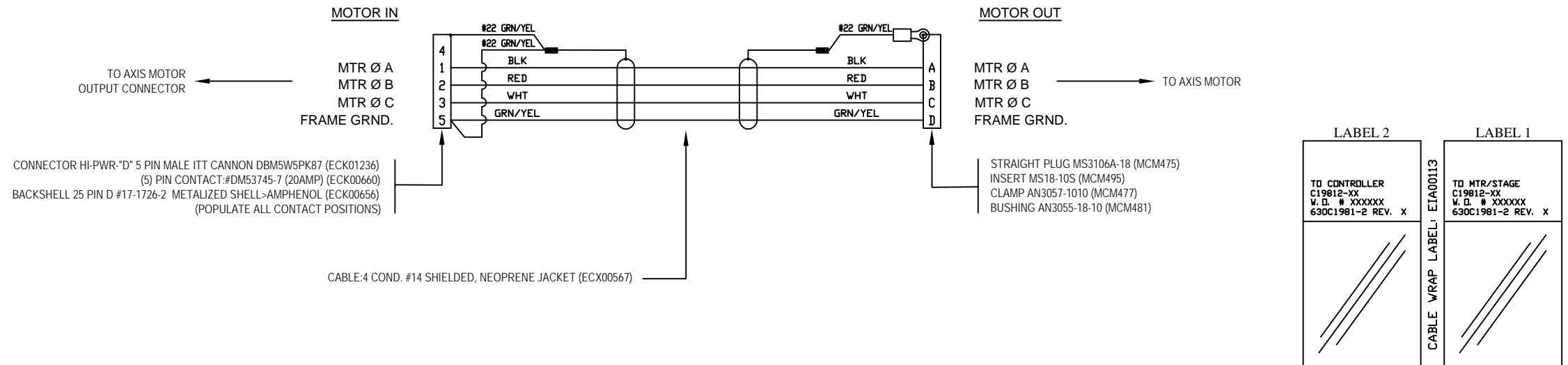


SOLDER SIDE
DETAIL "A"

VIEWED FROM WIRE SIDE OF CONNECTOR

DETAIL "B"

VIEWED FROM WIRE SIDE OF CONNECTOR
AMPHENOL SOCKET INSERT MS18-10 (MCM495)



PROPRIETARY INFORMATION THIS DRAWING IS THE PROPERTY OF AEROTECH, INC. AND IS SUBMITTED IN CONFIDENCE AND SHALL NOT BE REPRODUCED NOR COPIED NOR DISCLOSED TO OTHERS UNDER PENALTY OF LAW.				AEROTECH, INC. 101 Zeta Drive Pittsburgh, PA. 15238 (412)963-7470 www.aerotech.com	
TOLERANCES ON FRACTIONS DECIMALS ANGLES 0 TO 6 ± 1/32 .XX ± .01 ± 0-30' OVER 6 ± 1/16 .XXX ± .005		HIGH POWER BRUSHLESS MOTOR CABLE 450 DECIMETERS (150') MAX LENGTH CABLE: BL MTR-5DU-4MS-MAX450DM			
RMS FINISH <input checked="" type="checkbox"/> EXCEPT AS NOTED		PART CODE C19812-XX		SIZE C	
DRAWN JAB 9/16/03		CHECKED AGS 9/16/03		630C1981-2	
APPD. AGS 9/16/03		SCALE NTS		FILE NAME 630C1981-201.DWG SHEET 1 OF 1	