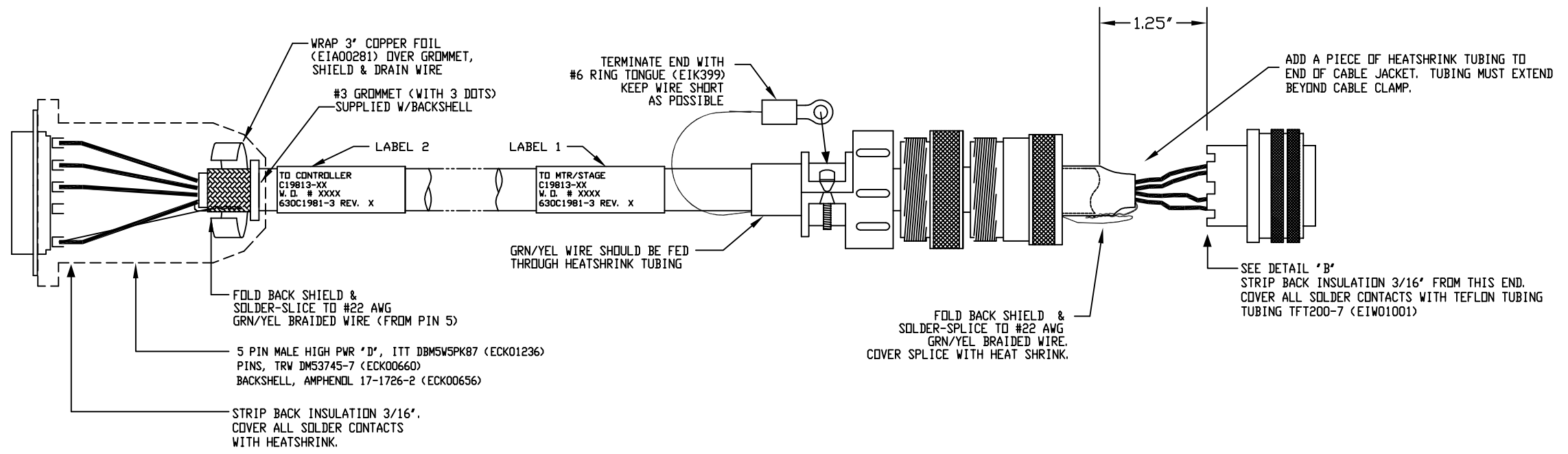
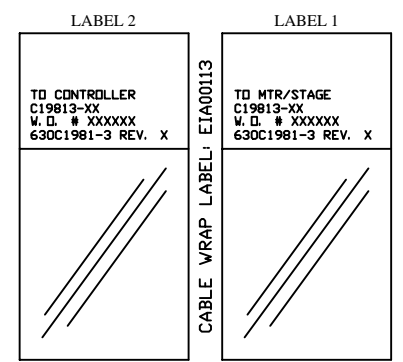
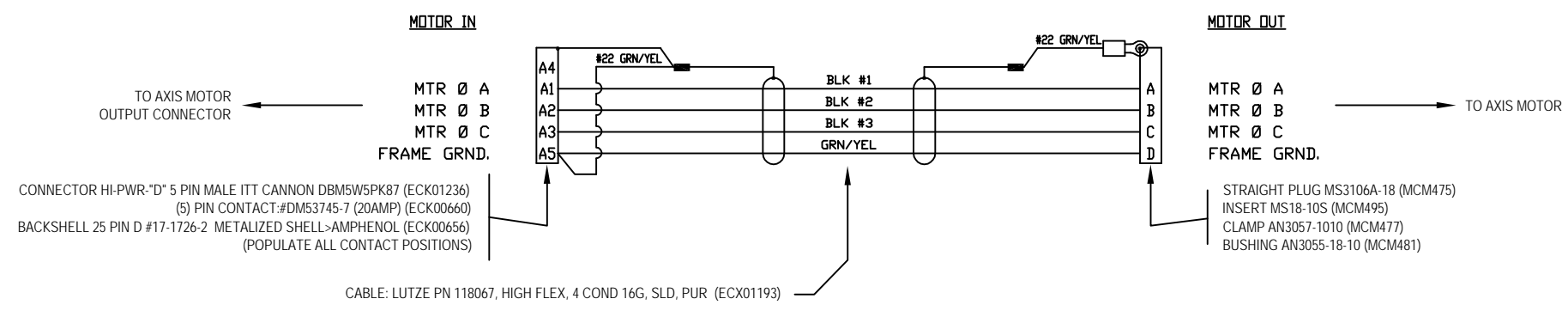
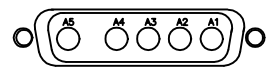


REVISIONS				
REV.	ZONE	DESCRIPTION	DATE	DRAWN

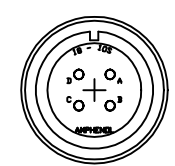


HI POWER "D" 5-PIN MALE (ECK01236) DETAILS



DETAIL "A"

VIEWED FROM WIRE SIDE OF CONNECTOR



DETAIL "B"

VIEWED FROM WIRE SIDE OF CONNECTOR  
AMPHENOL SOCKET INSERT MS18-10 (MCM495)

PROPRIETARY INFORMATION  
THIS DRAWING IS THE PROPERTY  
OF AEROTECH, INC. AND IS  
SUBMITTED IN CONFIDENCE AND  
SHALL NOT BE REPRODUCED NOR  
COPIED NOR DISCLOSED TO OTHERS  
UNDER PENALTY OF LAW.



AEROTECH, INC. 101 Zeta Drive  
Pittsburgh, PA. 15238  
(412)963-7470 TWX710-795-3125

TOLERANCES ON		
FRACTIONS	DECIMALS	ANGLES
0 TO 6 ± 1/32	.XX ± .01	± 0-30'
OVER 6 ± 1/16	.XXX ± .005	

RMS FINISH	✓	EXCEPT AS NOTED
------------	---	-----------------

DRAWN	EJB	4/14/05
CHECKED	AGS	4/14/05
APPD.	AGS	4/14/05

**BRUSHLESS MOTOR CABLE**  
450 DECIMETERS (150') MAX LENGTH  
CABLE: BL MTR-5DU-4MS-HF-MAX450DM

PART CODE	SIZE	REV.
C19813-XX	C	-

SCALE NTS FILE NAME 630C1981-301.DWG SHEET 1 OF 1