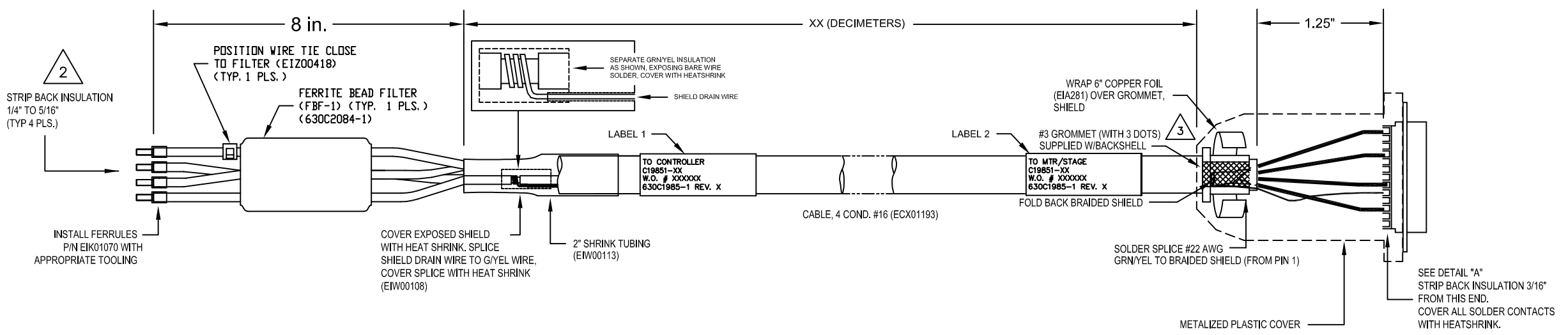
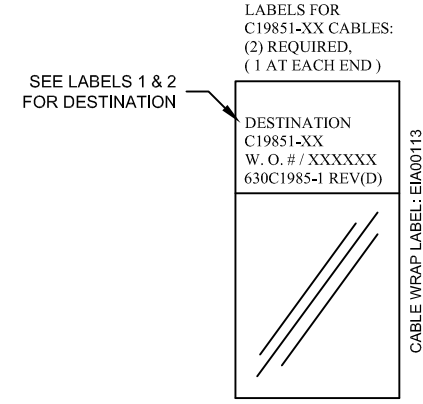
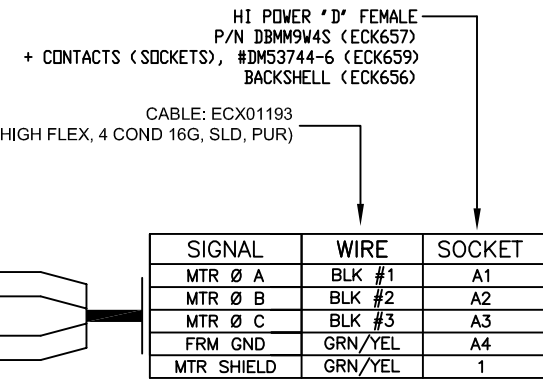
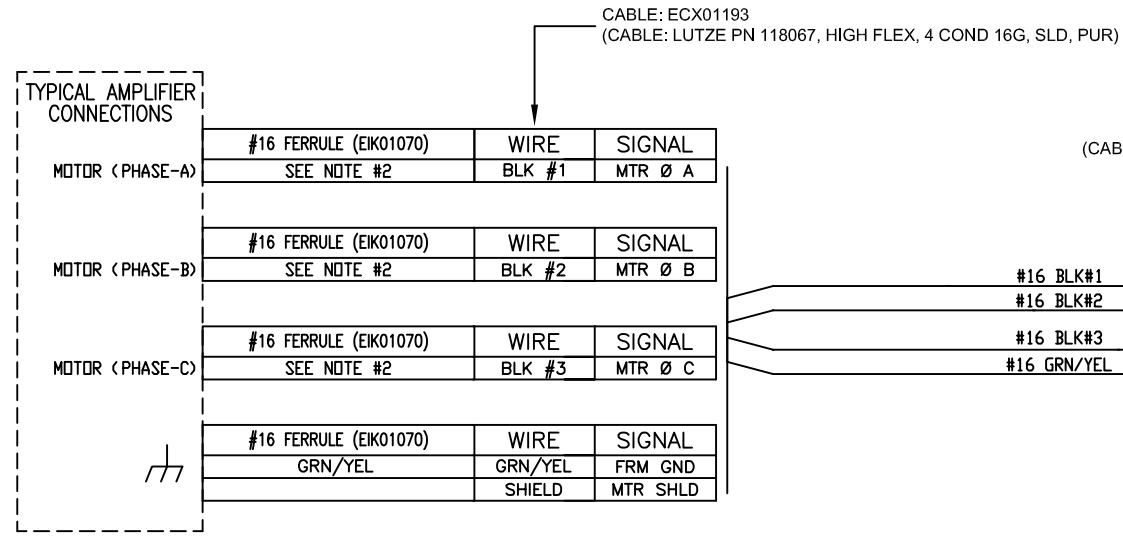
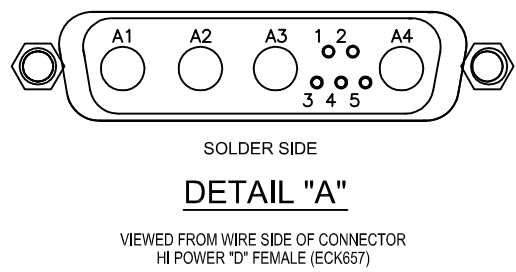


REVISIONS			
SYM.	DESCRIPTION	DATE	APPROVAL
A	ECN7280 (CHANGED CABLE PART NUMBER TO ECX01193)	8/12/03	JAB
B	ECN 7333	8/29/03	JAB
C	ADDED ECN#704	04/05	JRF
D	ADDED ECN11283	08/08	JRF



- 4 CABLE OUTER DIAMETER IS 0.39 IN. MINIMUM BEND RADIUS FOR CONTINUOUS FLEX IS 4.7 IN.
- 3 USE #3 GROMMET WITH 3 DOTS AS SHOWN BELOW WHICH IS SUPPLIED W/BACKSHELL
- 2 ALL FLYING LEADS ARE TERMINATED WITH EIK01070 #16 FERRULE
- 1 XX (DECIMETER) X .328 = FT. STARTING LENGTH = XX FT + 1.25 FT. BOM VALUE = STARTING LENGTH + 1 FT.



PART CODE: C19851-XX C19851-1 TO -450 MAX LENGTH (DECIMETERS)

PROPRIETARY INFORMATION
THIS DRAWING IS THE PROPERTY OF AEROTECH, INC. AND IS SUBMITTED IN CONFIDENCE AND SHALL NOT BE REPRODUCED NOR COPIED NOR DISCLOSED TO OTHERS UNDER PENALTY OF LAW.

TOLERANCES ON FRACTIONS DECIMALS ANGLES
0 TO 6 3/32 .XX 401 ± 0-30'
OVER 6 1/16 .XXX ±005

RMS FINISH EXCEPT AS NOTED

DRAWN JAB 8/29/03
CHECKED AGS 8/29/03
APPD. AGS 8/29/03

AEROTECH, INC. 101 Zeta Drive
Pittsburgh, PA. 15238
(412)963-7470
www.aerotech.com

C19851-XX HIGH FLEX MOTOR CABLE
CABLE: BL MTR-FLB-4DU-HF-MAX450DM

PART CODE	SIZE	REV.
SEE ABOVE	C	D

SCALE NTS FILE NAME 630C1985-1D1.dwg SHEET 1 of 1