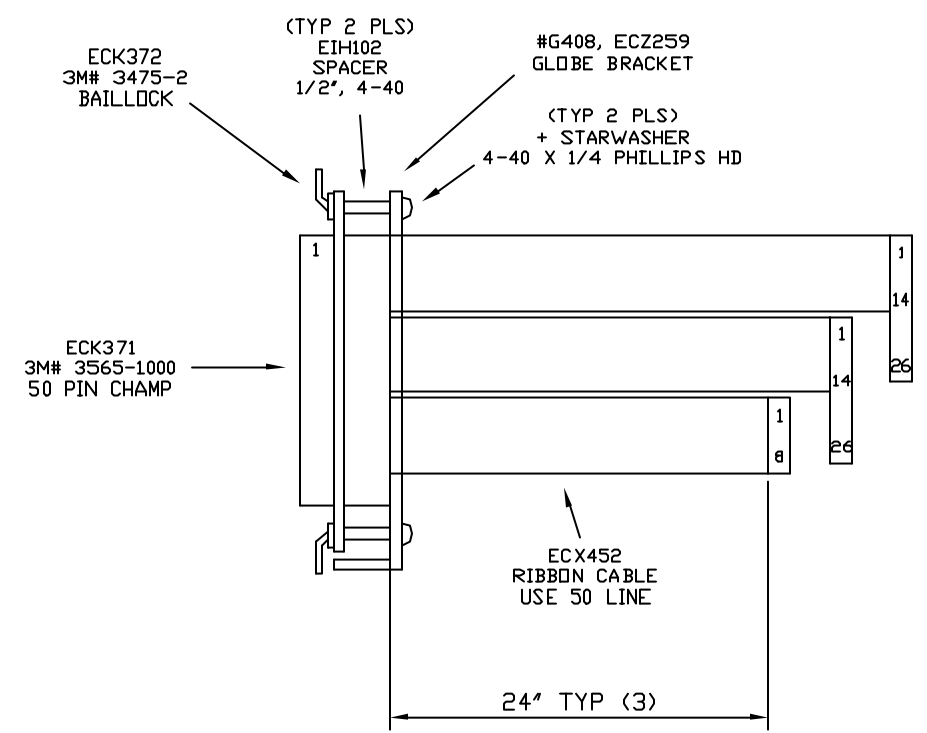
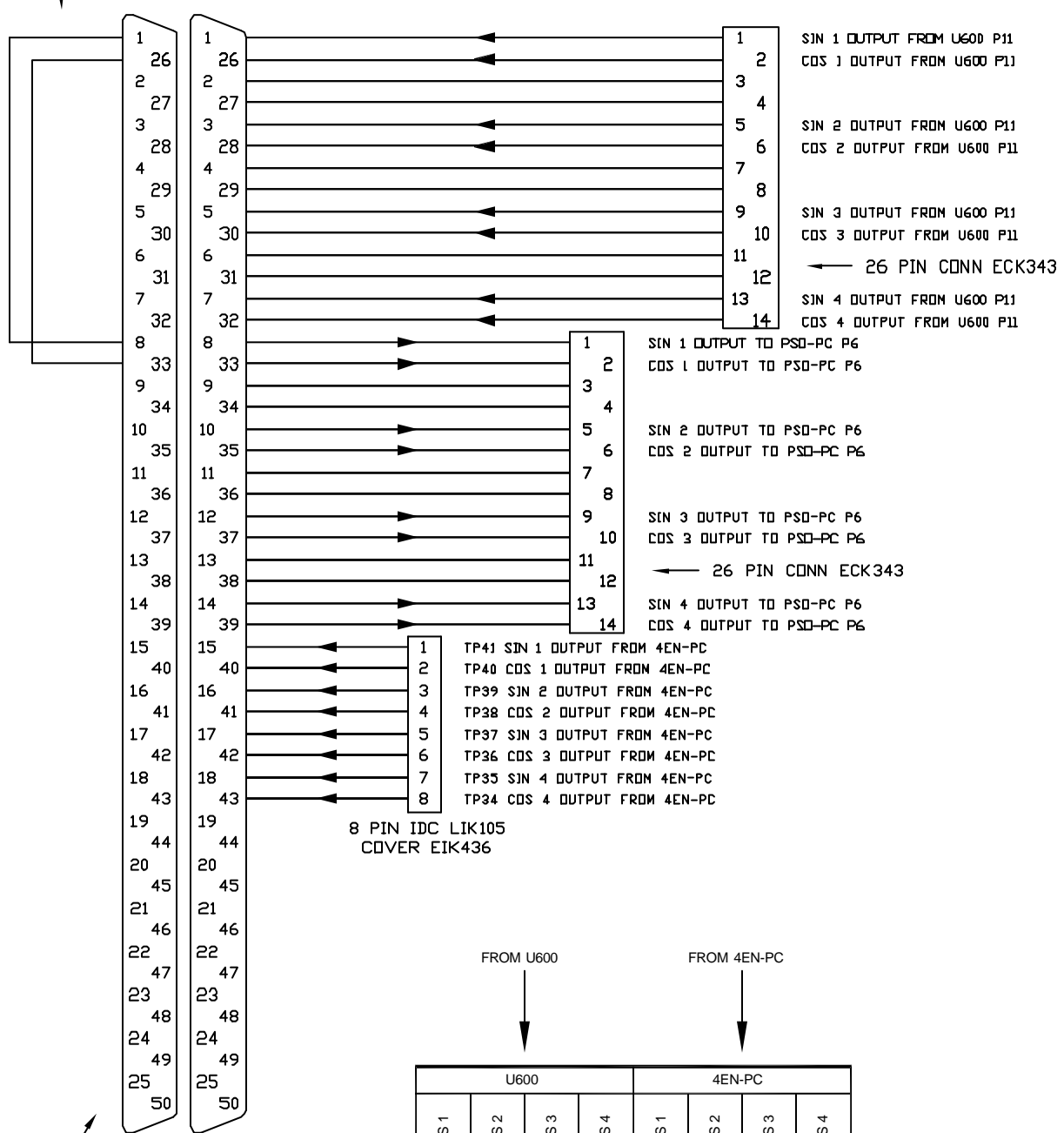


REVISIONS				
REV.	ZONE	DESCRIPTION	DATE	DRAWN

SEE SELECTOR CHART FOR JUMPER PLACEMENT.

TYPICAL EXAMPLE SHOWN BELOW



50 PIN PLUG ECK572 WITH BACKSHELL JUMPER AS SHOWN

50 PIN SOCKET ECK371

EXAMPLE: FOR THIS ROW JUMPER PINS 18-14 USING #24 BLUE

ECK572 PLUG PIN#	FROM U600								FROM 4EN-PC								COLOR	SIGNAL	AXIS	PSO-PC	
	U600		U600		4EN-PC		4EN-PC		SIN 1	COS 1	SIN 2	COS 2	SIN 3	COS 3	SIN 4	COS 4					
	AXIS 1	AXIS 2	AXIS 3	AXIS 4	AXIS 1	AXIS 2	AXIS 3	AXIS 4													
1	X																8	BLK	SIN 1	AXIS 1	PSO-PC
2		X															33	BRN	COS 1	AXIS 1	
3			X														10	RED	SIN 2	AXIS 2	
4				X													35	ORN	COS 2	AXIS 2	
5					X												12	YEL	SIN 3	AXIS 3	
6						X											37	GRN	COS 3	AXIS 3	
7							X										14	BLU	SIN 4	AXIS 4	
8								X									39	VIO	COS 4	AXIS 4	

(SELECT AXES TO BE CONNECTED) (ALL #24)

TO PSD-PC

C.O. NNNNNN CUSTNAME
MM/DD/YY R. Roxby
Filename: NNNNNN 630C1988-101.DWG

PROPRIETARY INFORMATION THIS DRAWING IS THE PROPERTY OF AEROTECH, INC. AND IS SUBMITTED IN CONFIDENCE AND SHALL NOT BE REPRODUCED NOR COPIED NOR DISCLOSED TO OTHERS UNDER PENALTY OF LAW.

AEROTECH AEROTECH, INC. 101 Zeta Drive
Pittsburgh, PA. 15238
(412)963-7470 TWX710-795-3125

PSO SELECTOR CABLE
SPECIAL PLUG WIRING

DRAWN	RWR	4/14/03	PART CODE	SIZE	REV.
CHECKED	JLD	4/14/03	C19881-06	C	-
APPD.	JLD	4/14/03	SCALE N/A	FILE NAME 630C1988-101.DWG	SHEET 1 OF 1