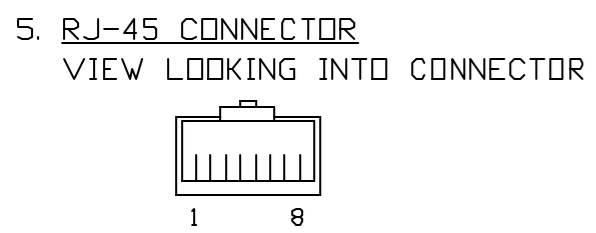
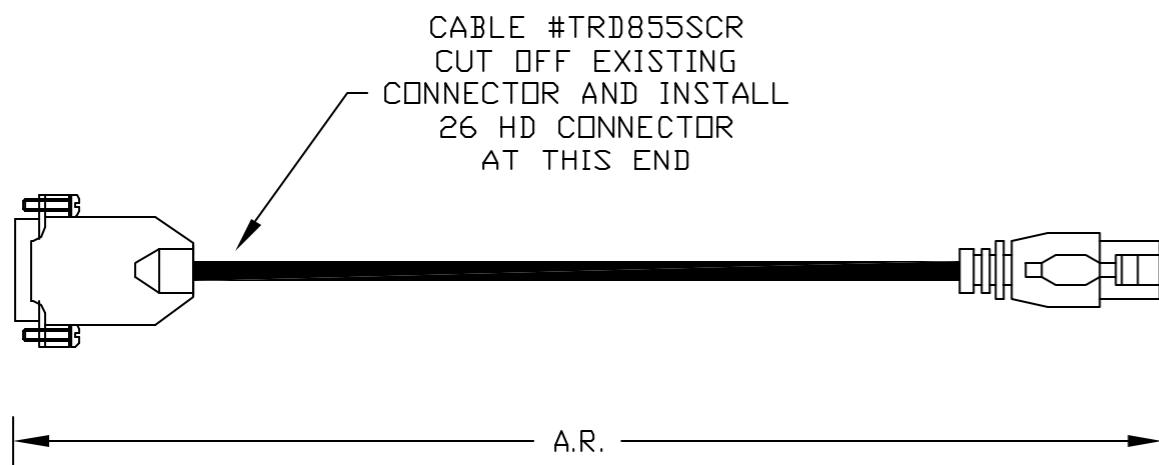
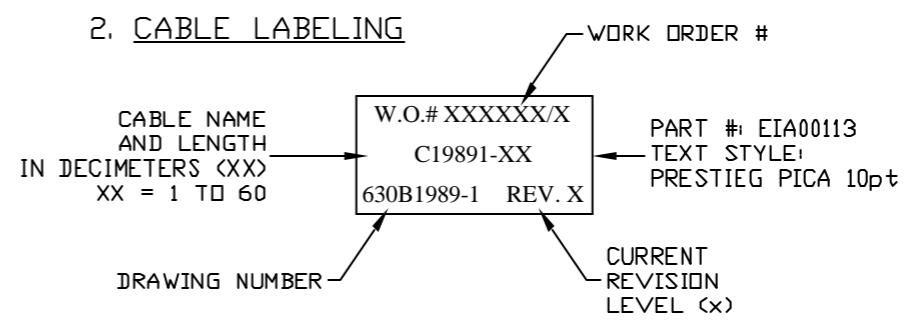
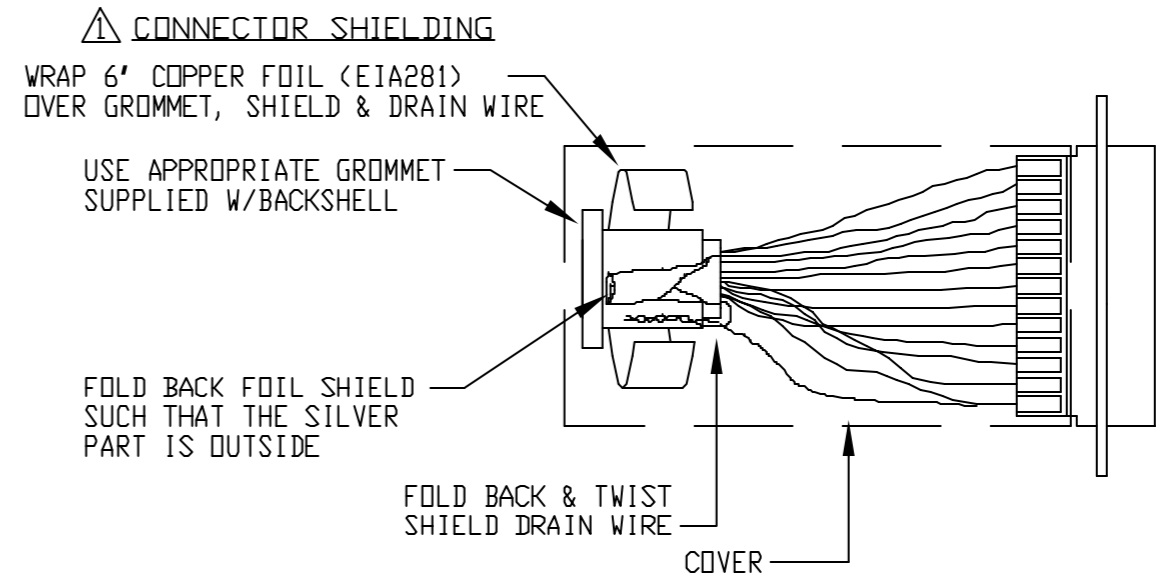
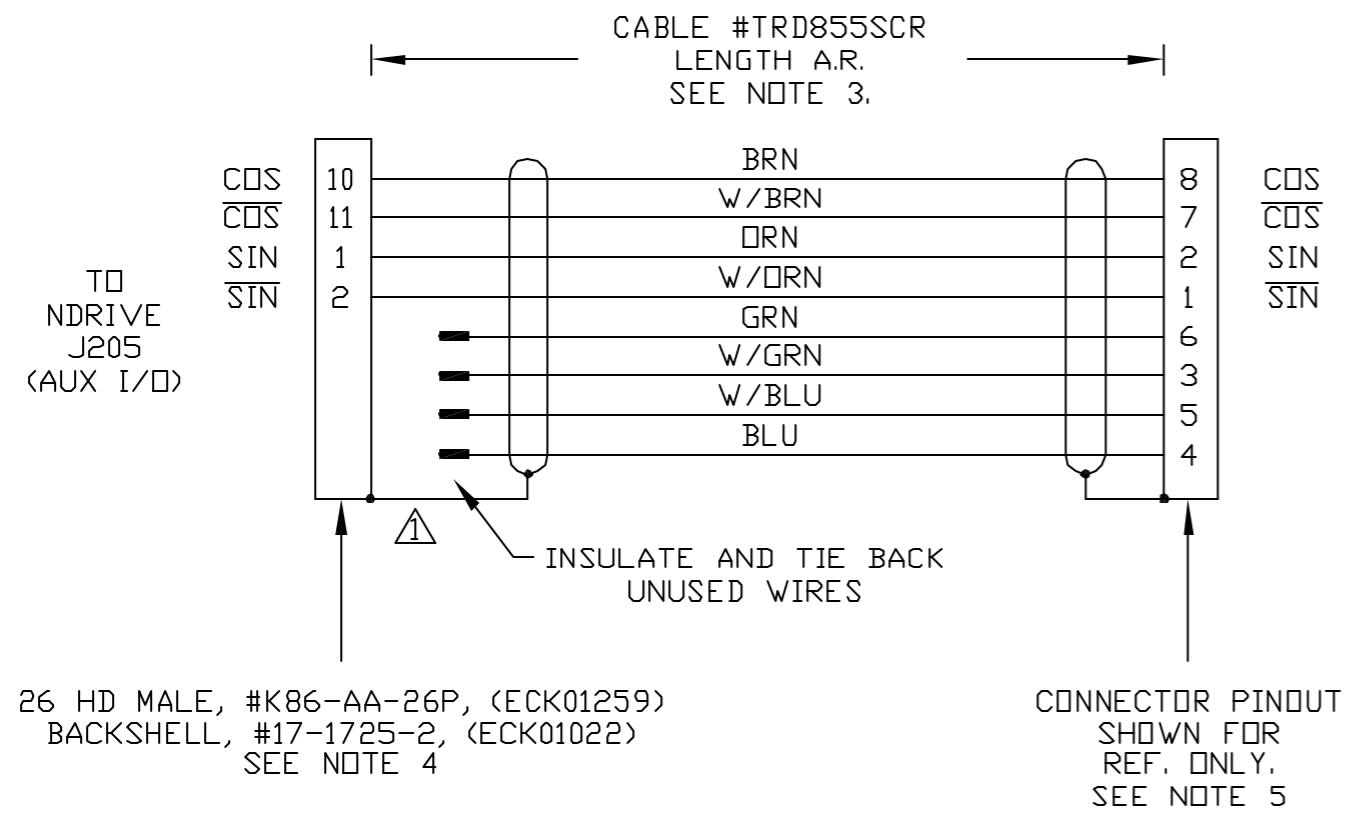
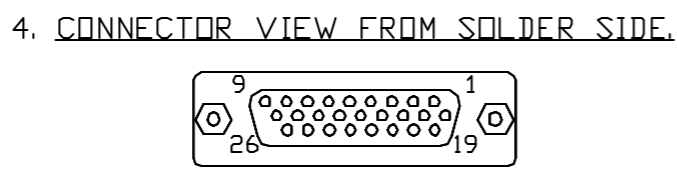


| REVISIONS | | | | |
|-----------|------|-------------|------|----------|
| SYM. | ZONE | DESCRIPTION | DATE | APPROVAL |
| | | | | |



3. CABLE LENGTH
CAUTION, CABLE LENGTHS (XX) ARE IN DECIMETERS
EXAMPLE: C19891-3
3 = 3 DECIMETERS (300mm) = 1FT.



PROPRIETARY INFORMATION
THIS DRAWING IS THE PROPERTY
OF AEROTECH, INC. AND IS
SUBMITTED IN CONFIDENCE AND
SHALL NOT BE REPRODUCED NOR
COPIED NOR DISCLOSED TO OTHERS
UNDER PENALTY OF LAW.



AEROTECH, INC. 101 Zeta Drive
Pittsburgh, PA. 15238
(412)963-7470 TWX710-795-3125

| TOLERANCES ON | | |
|---------------|-------------|---------|
| FRACTIONS | DECIMALS | ANGLES |
| 0 TO 6 ± 1/32 | .XX ± .01 | ± 0-30' |
| OVER 6 ± 1/16 | .XXX ± .005 | |

RMS FINISH EXCEPT AS NOTED

NDRIVE
PSO ENCODER CABLE
(AUX I/O TO SSINET1)

| | | | | | |
|---------|-----|---------|-----------|----------------------------|--------------|
| DRAWN | EJB | 3/28/03 | PART CODE | SIZE | REV. |
| CHECKED | AGS | 3/28/03 | C19891-XX | B | - |
| APPD. | AGS | 3/28/03 | SCALE NTS | FILE NAME 630B1989-101.DWG | SHEET 1 of 1 |