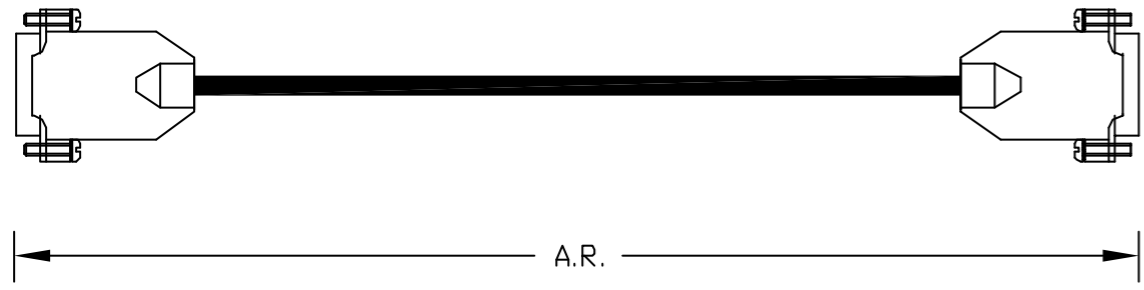
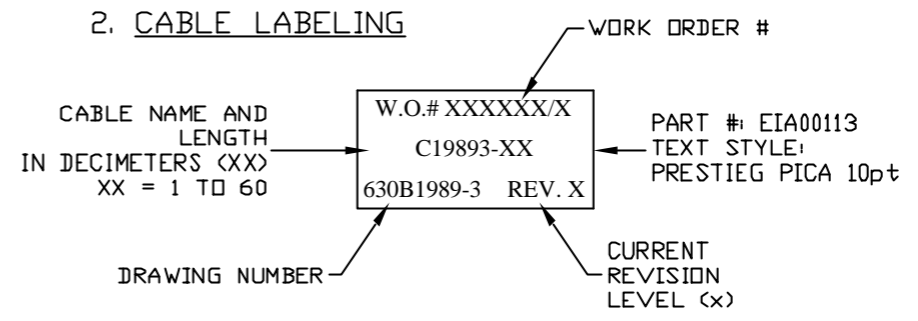
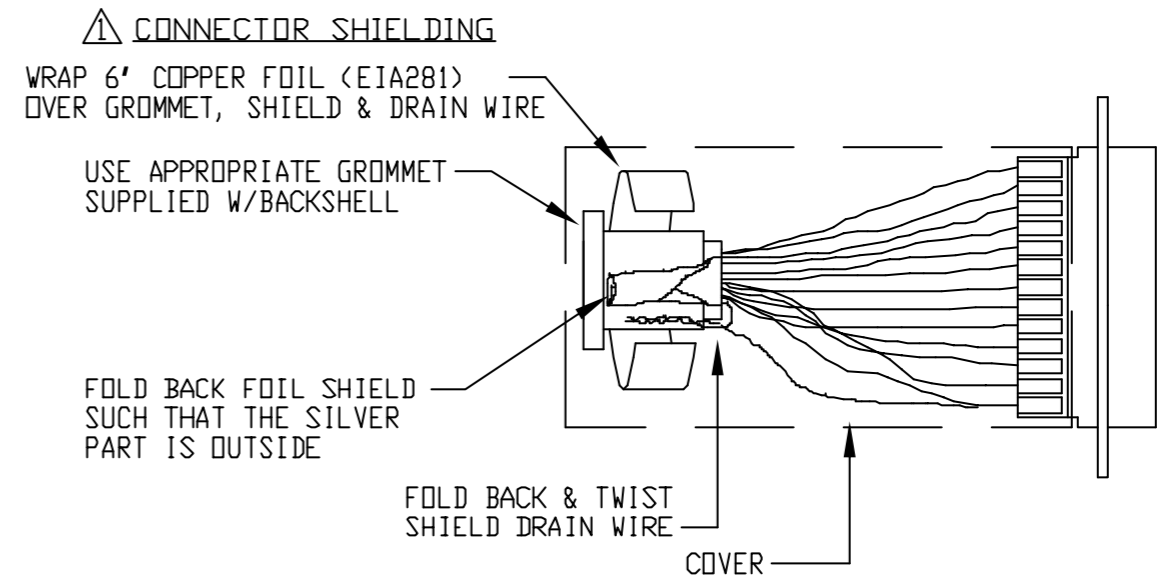
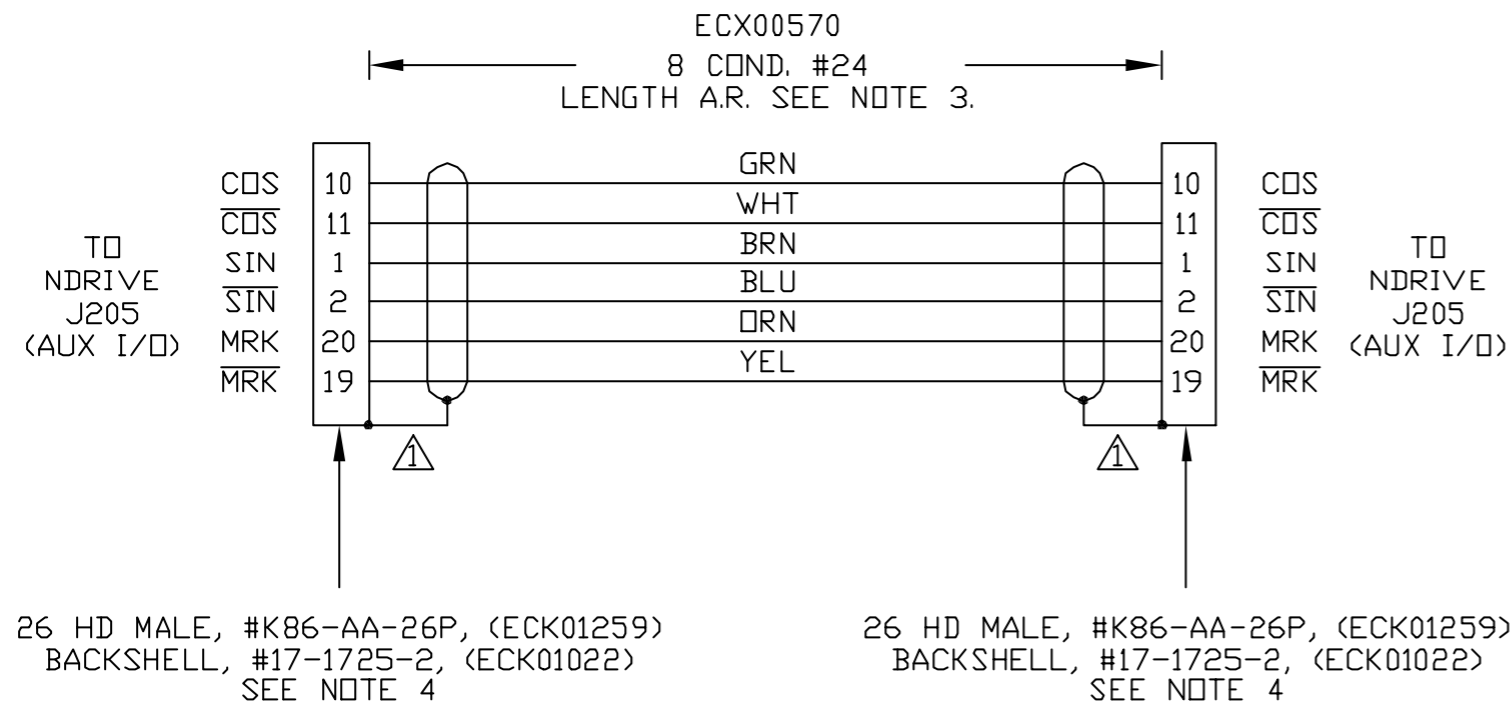
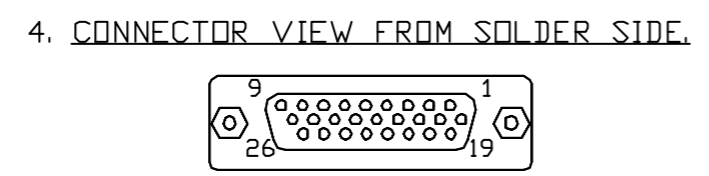


REVISIONS				
SYM.	ZONE	DESCRIPTION	DATE	APPROVAL



3. CABLE LENGTH
CAUTION, CABLE LENGTHS (XX) ARE IN DECIMETERS
EXAMPLE: C19893-3
3 = 3 DECIMETERS (300mm) = 1FT.



PROPRIETARY INFORMATION THIS DRAWING IS THE PROPERTY OF AEROTECH, INC. AND IS SUBMITTED IN CONFIDENCE AND SHALL NOT BE REPRODUCED NOR COPIED NOR DISCLOSED TO OTHERS UNDER PENALTY OF LAW.		AEROTECH® 101 Zeta Drive Pittsburgh, PA. 15238 (412)963-7470 TWX710-795-3125	
TOLERANCES ON FRACTIONS DECIMALS ANGLES 0 TO 6 ± 1/32 .XX ± .01 ± 0-30' OVER 6 ± 1/16 .XXX ± .005		NDRIVE PSO ENCODER CABLE (AUX I/O TO AUX I/O)	
RMS FINISH ✓ EXCEPT AS NOTED	DRAWN EJB 3/28/03	PART CODE SIZE REV.	630B1989-3 B -
CHECKED AGS 3/28/03	APPD. AGS 3/28/03	SCALE NTS FILE NAME 630B1989-301.DWG	SHEET 1 of 1