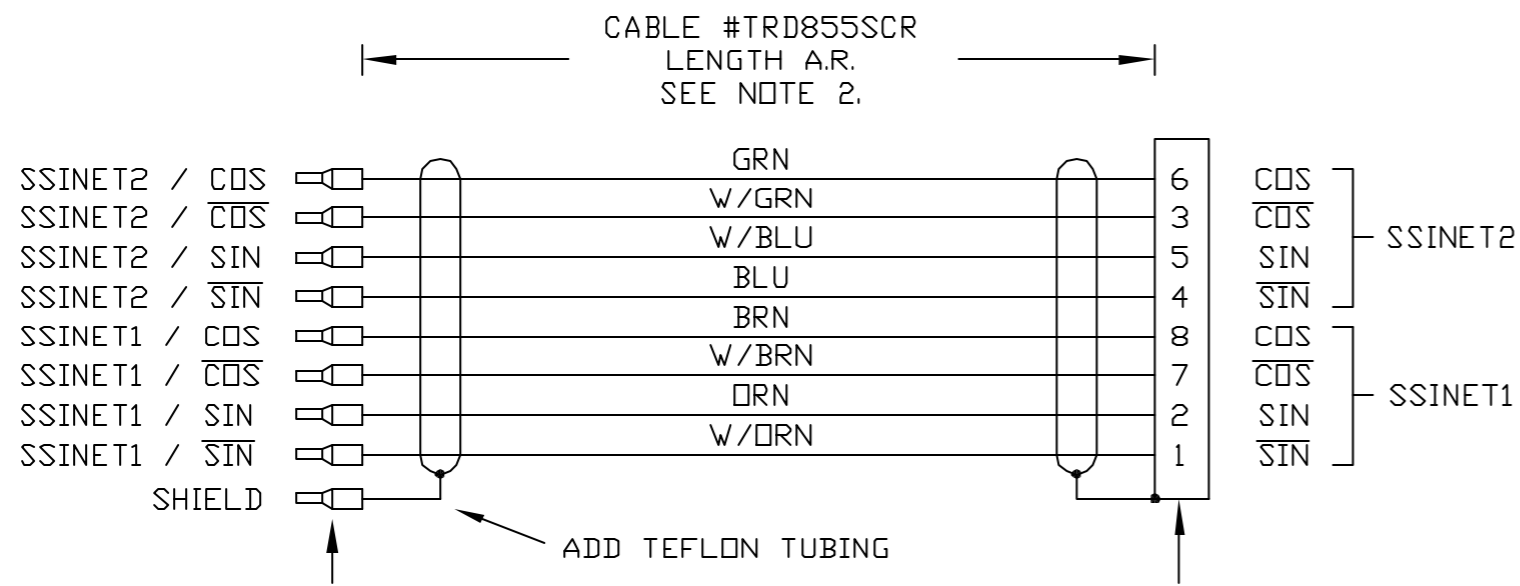


REVISIONS				
SYM.	ZONE	DESCRIPTION	DATE	APPROVAL
A		ADDED ECN8251	11/5/04	EJB

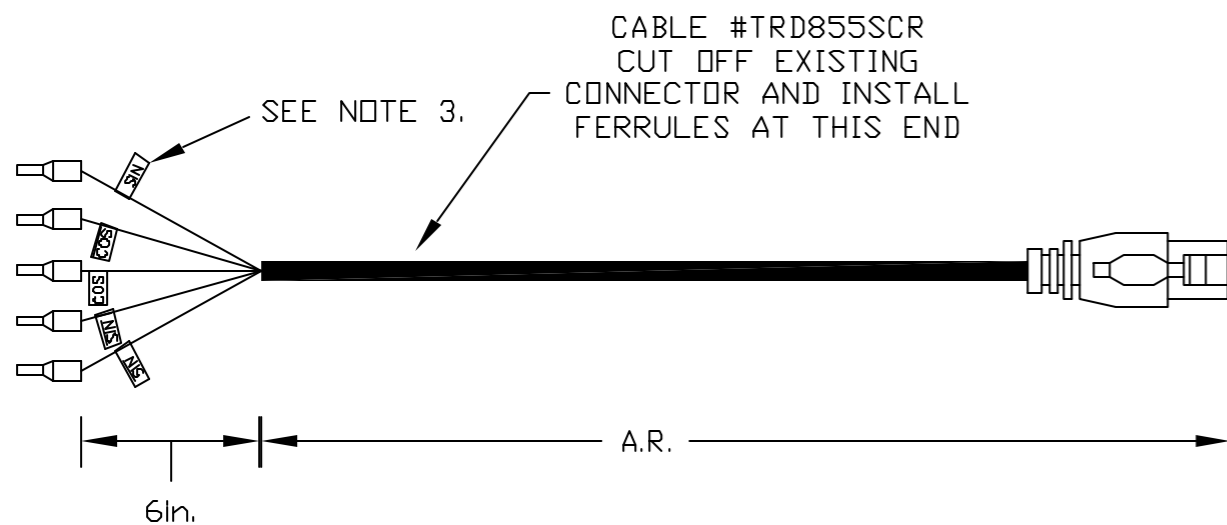
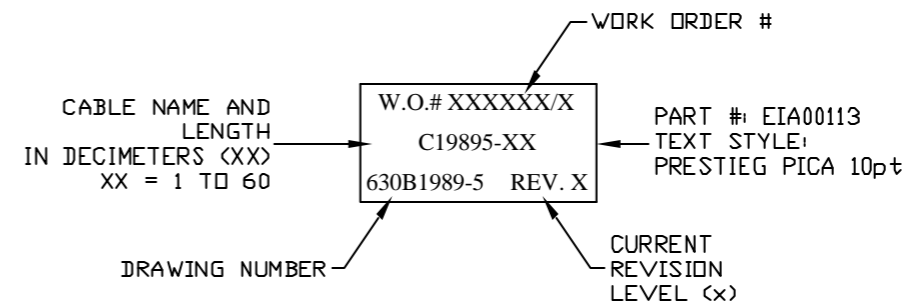


TO  
NDRIVE  
J302 OR J303

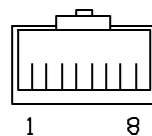
FERRULE, #3200179 (EIK01084) TYP. 9 PLS.  
ADD BRADY WIRE MARKERS SEE NOTE 3.

CONNECTOR PINOUT  
SHOWN FOR  
REF. ONLY.  
SEE NOTE 4.

1. CABLE LABELING  
PLACE LABEL AT CENTER OF CABLE



4. RJ-45 CONNECTOR  
VIEW LOOKING INTO CONNECTOR



2. CABLE LENGTH  
CAUTION, CABLE LENGTHS (XX) ARE IN DECIMETERS  
EXAMPLE: C19895-3  
3 = 3 DECIMETERS (300mm) = 1FT.

3. WIRE MARKERS  
FLAG WIRES WITH BRADY LABELS  
COMPUTER FILE NO. 630B1989-5A1.

PROPRIETARY INFORMATION  
THIS DRAWING IS THE PROPERTY  
OF AEROTECH, INC. AND IS  
SUBMITTED IN CONFIDENCE AND  
SHALL NOT BE REPRODUCED NOR  
COPIED NOR DISCLOSED TO OTHERS  
UNDER PENALTY OF LAW.



® AEROTECH, INC. 101 Zeta Drive  
Pittsburgh, PA. 15238  
(412)963-7470 TWX710-795-3125

TOLERANCES ON		
FRACTIONS	DECIMALS	ANGLES
0 TO 6 ± 1/32	.XX ± .01	± 0-30'
OVER 6 ± 1/16	.XXX ± .005	

RMS FINISH  EXCEPT AS NOTED

NDRIVE  
PSO ENCODER CABLE  
(SSINET TO FLYING LEADS)

DRAWN	EJB	3/28/03	PART CODE	SIZE	REV.
CHECKED	AGS	3/28/03	C19895-XX	B	A
APPD.	AGS	3/28/03	SCALE NTS	FILE NAME 630B1989-5A1.DWG	SHEET 1 of 1