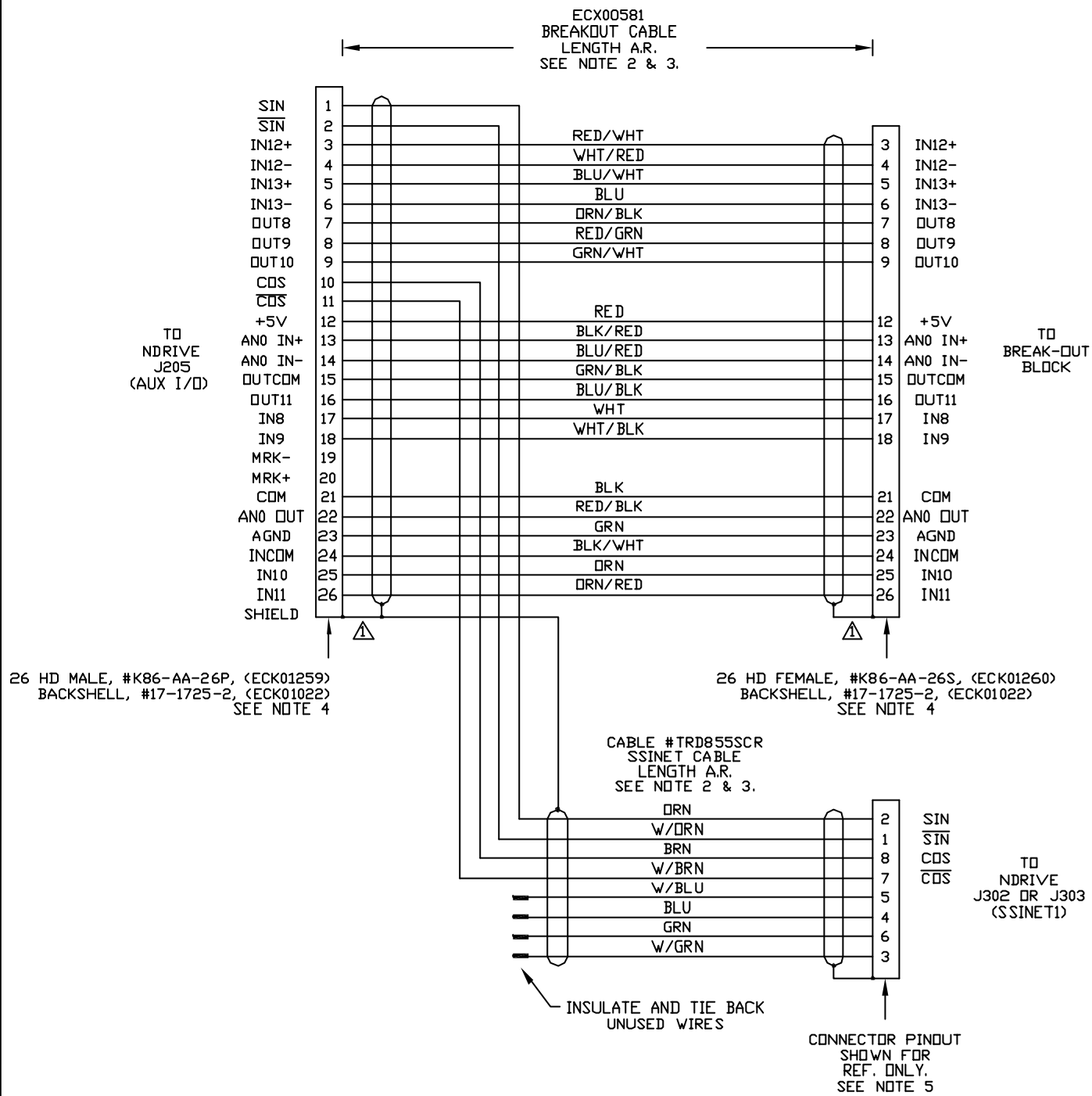
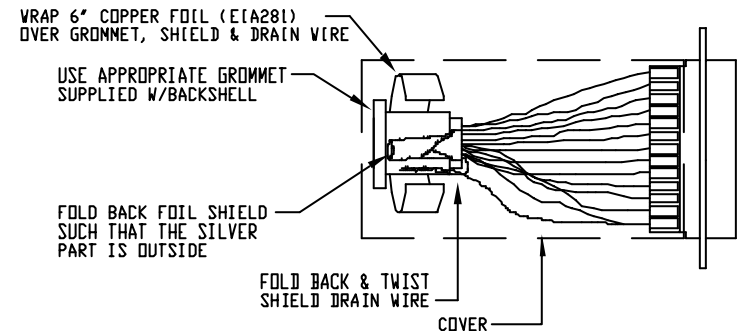


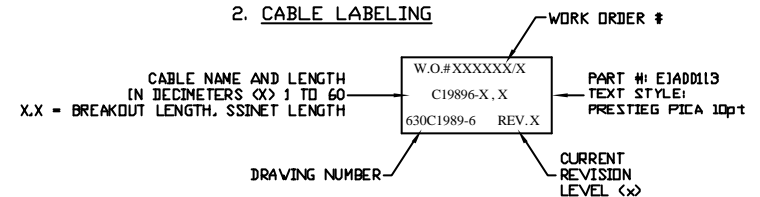
REVISIONS				
REV.	ZONE	DESCRIPTION	DATE	DRAWN



CONNECTOR SHIELDING



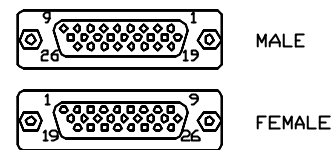
2. CABLE LABELING



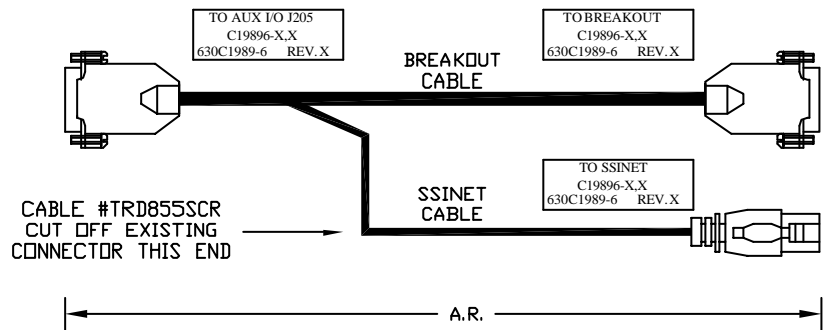
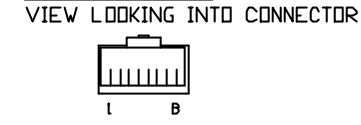
3. CABLE LENGTH

CAUTION, CABLE LENGTHS (X) ARE IN DECIMETERS
 EXAMPLE: C19896-3,6
 3 = 3 DECIMETERS (300mm) = 1FT. (BREAKOUT CABLE)
 6 = 6 DECIMETERS (600mm) = 2FT. (SSINET CABLE)

4. CONNECTOR VIEW FROM SOLDER SIDE.



5. RJ-45 CONNECTOR



PROPRIETARY INFORMATION THIS DRAWING IS THE PROPERTY OF AEROTECH, INC. AND IS SUBMITTED IN CONFIDENCE AND SHALL NOT BE REPRODUCED NOR COPIED NOR DISCLOSED TO OTHERS UNDER PENALTY OF LAW.			AEROTECH, INC. 101 Zeta Drive Pittsburgh, PA. 15238 (412)963-7470 www.aerotech.com		
TOLERANCES ON FRACTIONS DECIMALS ANGLES 0 TO 6 ± 1/32 XX ± .01 ± 0-30' OVER 6 ± 1/16 XXX ± .005			NDRIVE PSO ENCODER CABLE (AUX I/O TO BBA32 & SSINET1)		
RNS FINISH	✓	EXCEPT AS NOTED	PART CODE	SIZE	REV.
DRAWN	EJB	3/28/03	C19896-X,X	C	630C1989-6
CHECKED	AGS	3/28/03	SCALE NTS	FILE NAME	630C1989-601.DWG
APPD.	AGS	3/28/03	SHEET	1 of 1	