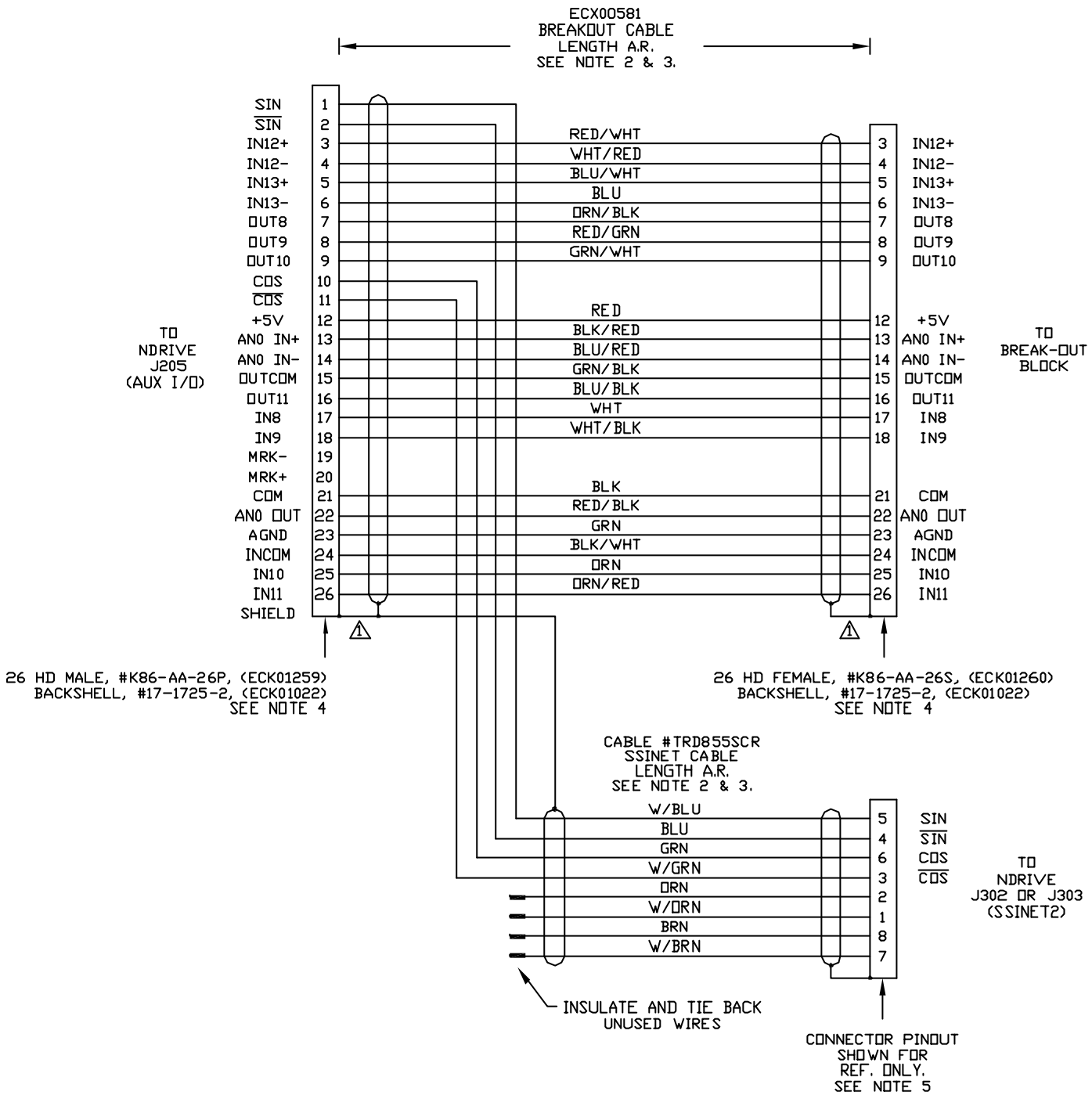
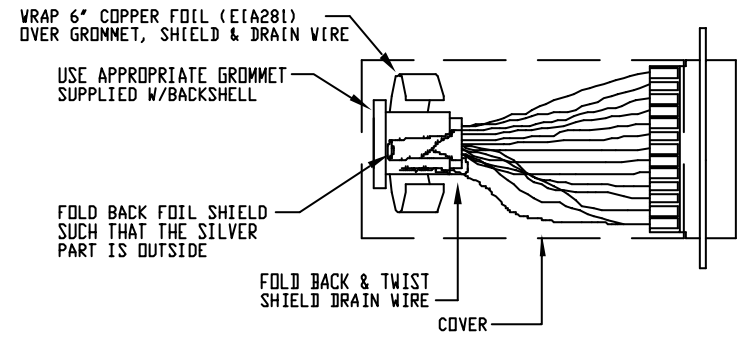


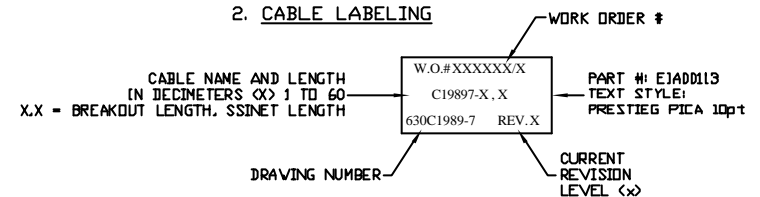
REVISIONS				
REV.	ZONE	DESCRIPTION	DATE	DRAWN



CONNECTOR SHIELDING



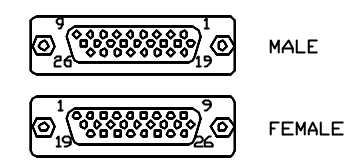
2. CABLE LABELING



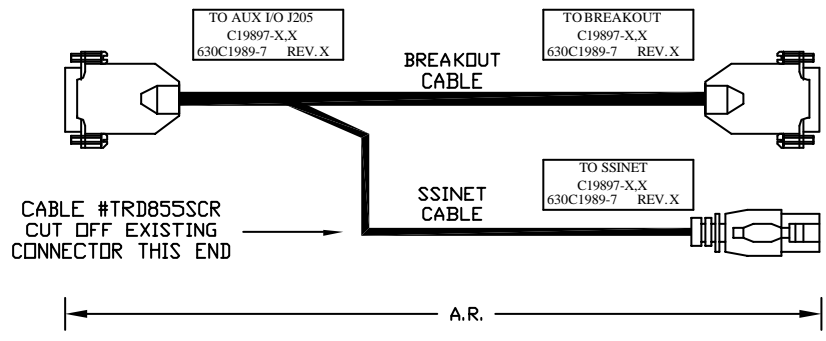
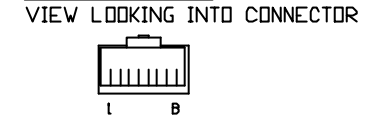
3. CABLE LENGTH

CAUTION, CABLE LENGTHS (X) ARE IN DECIMETERS
 EXAMPLE: C19897-3,6
 3 = 3 DECIMETERS (300mm) = 1FT. (BREAKOUT CABLE)
 6 = 6 DECIMETERS (600mm) = 2FT. (SSINET CABLE)

4. CONNECTOR VIEW FROM SOLDER SIDE.



5. RJ-45 CONNECTOR



PROPRIETARY INFORMATION THIS DRAWING IS THE PROPERTY OF AEROTECH, INC. AND IS SUBMITTED IN CONFIDENCE AND SHALL NOT BE REPRODUCED NOR COPIED NOR DISCLOSED TO OTHERS UNDER PENALTY OF LAW.		AEROTECH, INC. 101 Zeta Drive Pittsburgh, PA. 15238 (412)963-7470 www.aerotech.com	
TOLERANCES ON FRACTIONS DECIMALS ANGLES 0 TO 6 ± 1/32 XX ± .01 ± 0-30' OVER 6 ± 1/16 XXX ± .005			
RNS FINISH <input checked="" type="checkbox"/> EXCEPT AS NOTED		NDRIVE PSO ENCODER CABLE (AUX I/O TO BBA32 & SSINET2)	
DRAWN	EJB	3/28/03	PART CODE
CHECKED	AGS	3/28/03	SIZE
APPD.	AGS	3/28/03	SCALE NTS
FILE NAME 630C1989-701.DWG		SHEET 1 of 1	