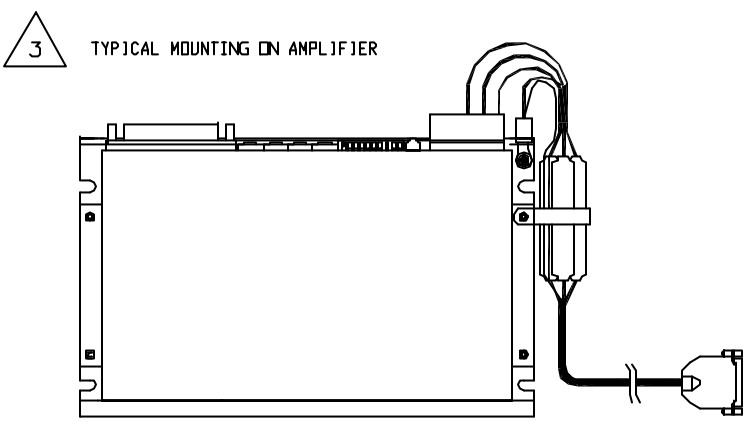
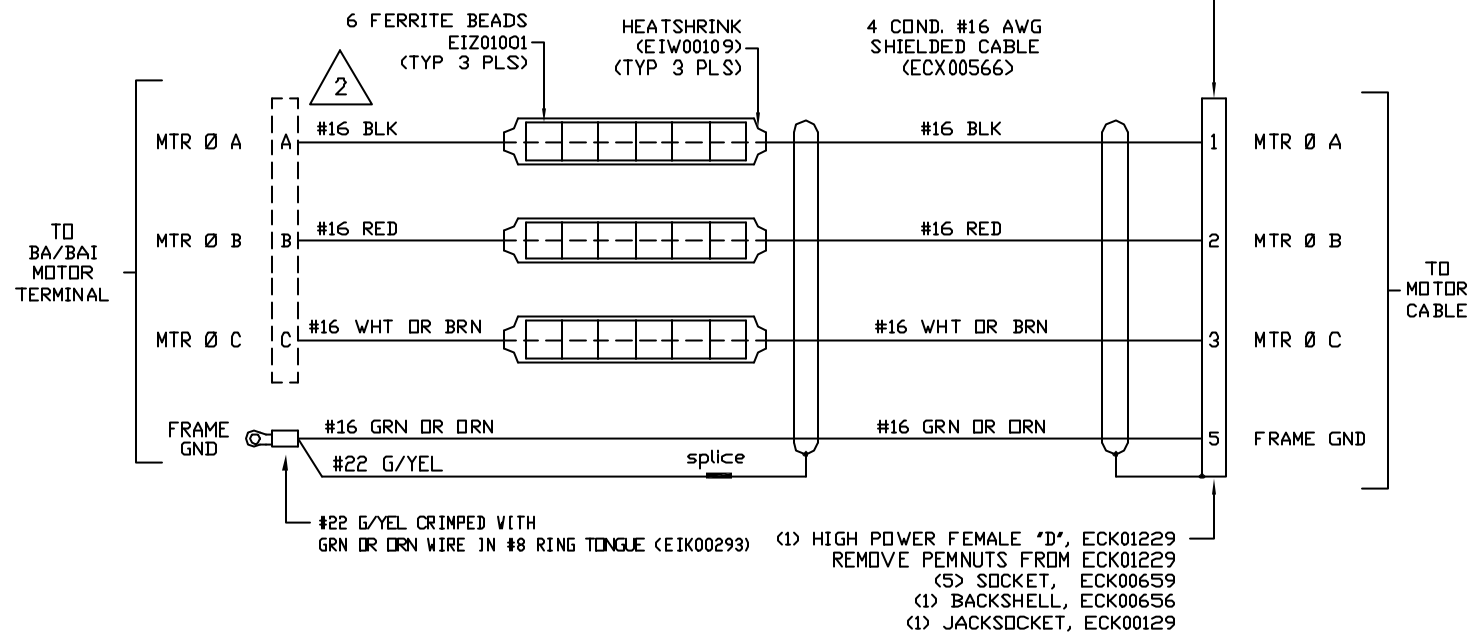
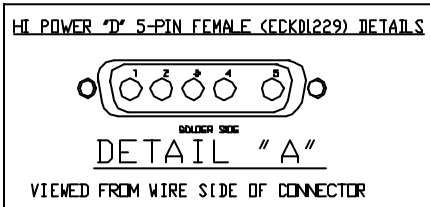
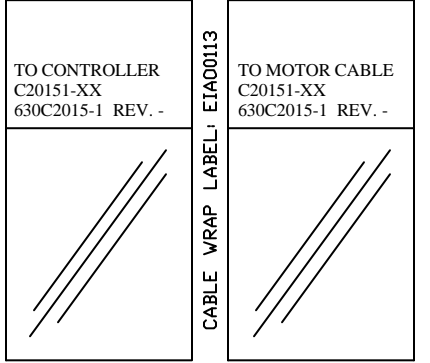
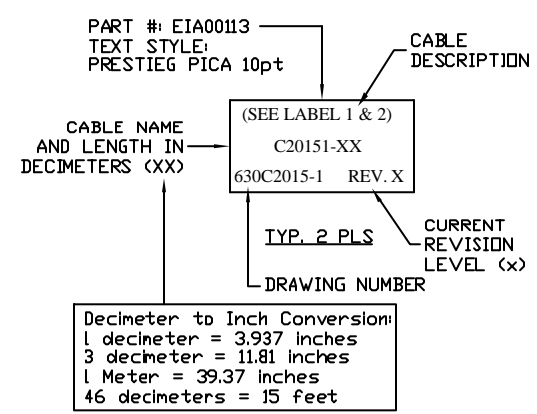
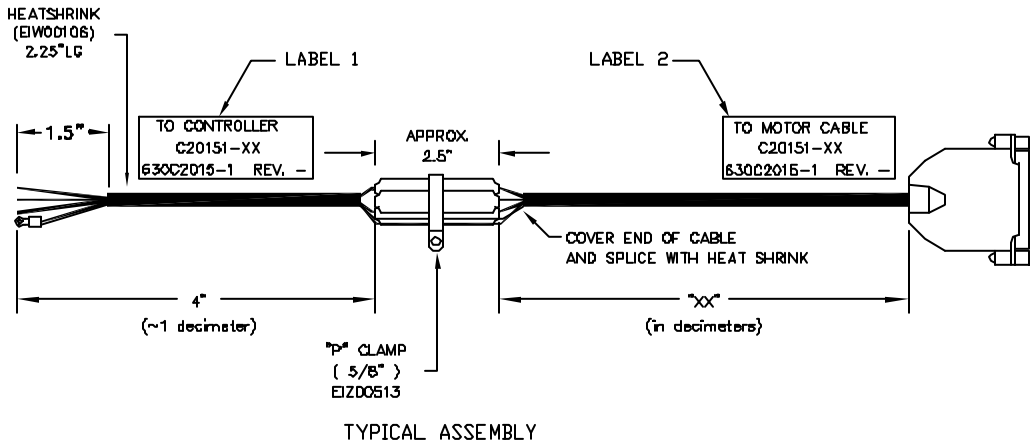


REVISIONS					
ECN	SYM	ZONE	DESCRIPTION	DATE	APPROVAL

4 LABELS FOR C20151-X, (2) REQUIRED, (1 AT EACH END)



- 2 STRIP INSULATION BACK 3/8" AND TIN LEADS
- 1 STARTING CABLE LENGTH = REQUIRED LENGTH + 8 INCHES



PROPRIETARY INFORMATION THIS DRAWING IS THE PROPERTY OF AEROTECH, INC. AND IS SUBMITTED IN CONFIDENCE AND SHALL NOT BE REPRODUCED NOR COPIED NOR DISCLOSED TO OTHERS UNDER PENALTY OF LAW.		
 THIRD ANGLE PROJECTION	FRACTIONS: 0 TO 6 ± 1/32 OVER 6 ± 1/16 DECIMALS: .XX ±.01 .XXX ±.005 ANGLES: ± 0-30° EXCEPT AS NOTED	
RMS FINISH	125/	EXCEPT AS NOTED
DRAWN	7-22-2003	LTL
CHECKED	7-22-2003	SCD
APP'D	7-22-2003	LTL

		AEROTECH, INC. 101 Zeta Drive Pittsburgh, PA. 15238 412-963-7470 FAX: 412-963-7459 www.AEROTECH.com	
C20151-XX BRUSHLESS ADAPTOR CABLE BL MTR-FLT-5DU-EX			
PART CODE	SIZE	DWG. NUMBER	REV.
C20151-XX	C	630C2015-1	-
SCALE NTS	SHEET 1 OF 1	FILE NAME	630C2015-101.DWG