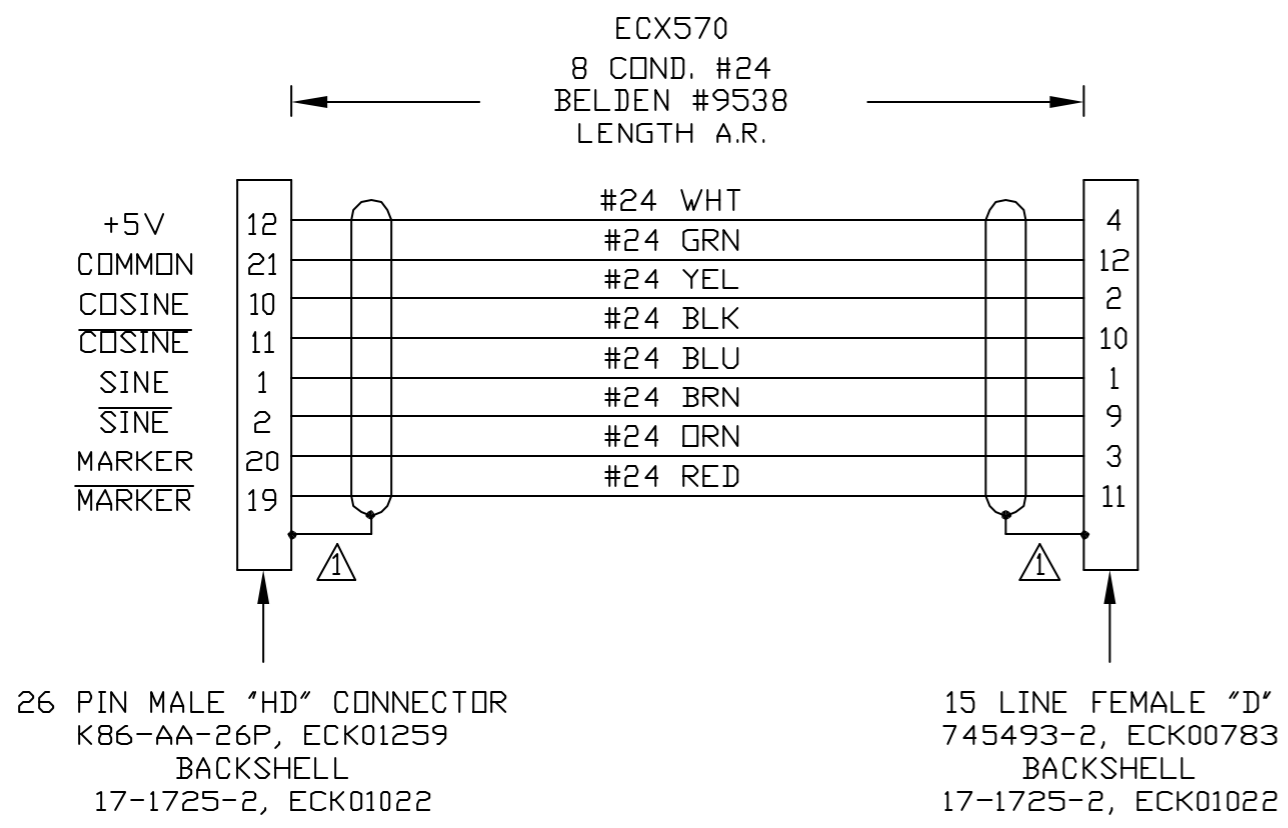
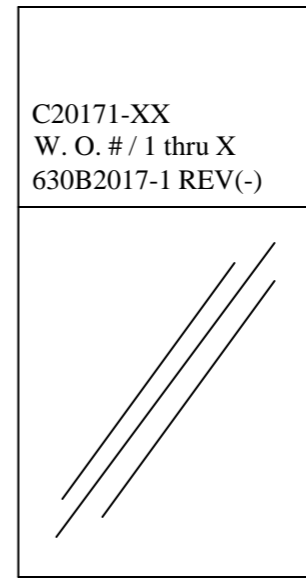


REVISIONS				
REV.	ZONE	DESCRIPTION	DATE	DRAWN



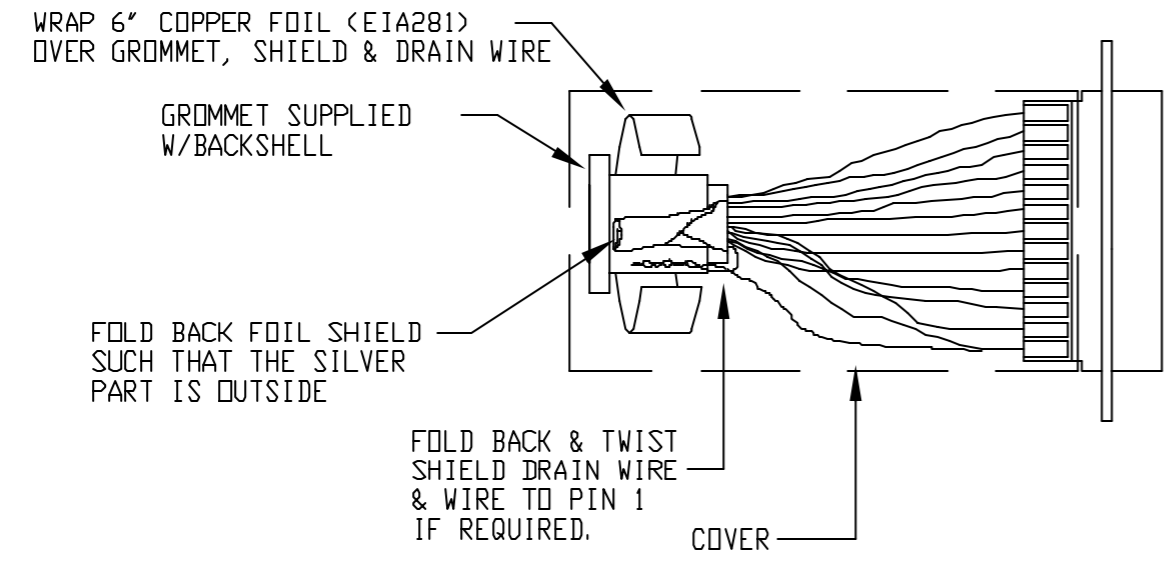
2. CABLE LABELING

LABELS FOR  
C20171 CABLES:  
(2) REQUIRED,  
(1 AT EACH END)



CABLE WRAP LABEL: EIA00113

△ CONNECTOR SHIELDING



PROPRIETARY INFORMATION THIS DRAWING IS THE PROPERTY OF AEROTECH, INC. AND IS SUBMITTED IN CONFIDENCE AND SHALL NOT BE REPRODUCED NOR COPIED NOR DISCLOSED TO OTHERS UNDER PENALTY OF LAW.			AEROTECH, INC. 101 Zeta Drive Pittsburgh, PA. 15238 (412)963-7470 www.aerotech.com		
TOLERANCES ON FRACTIONS    DECIMALS    ANGLES 0 TO 6 ± 1/32    .XX ± .01    ± 0-30' OVER 6 ± 1/16    .XXX ± .005			<b>ENCODER FEEDBACK CABLE</b> <b>ENC FB-26H DU-15DU-MAX61DM</b>		
RMS FINISH  EXCEPT AS NOTED		PART CODE <b>C20171-XX</b>	SIZE <b>B</b>	<b>630B2017-1</b>	REV. -
DRAWN EJB 9/17/03	CHECKED AGS 9/17/03	APPD. AGS 9/17/03	SCALE NTS	FILE NAME 630B2017-101	SHEET 1 OF 1