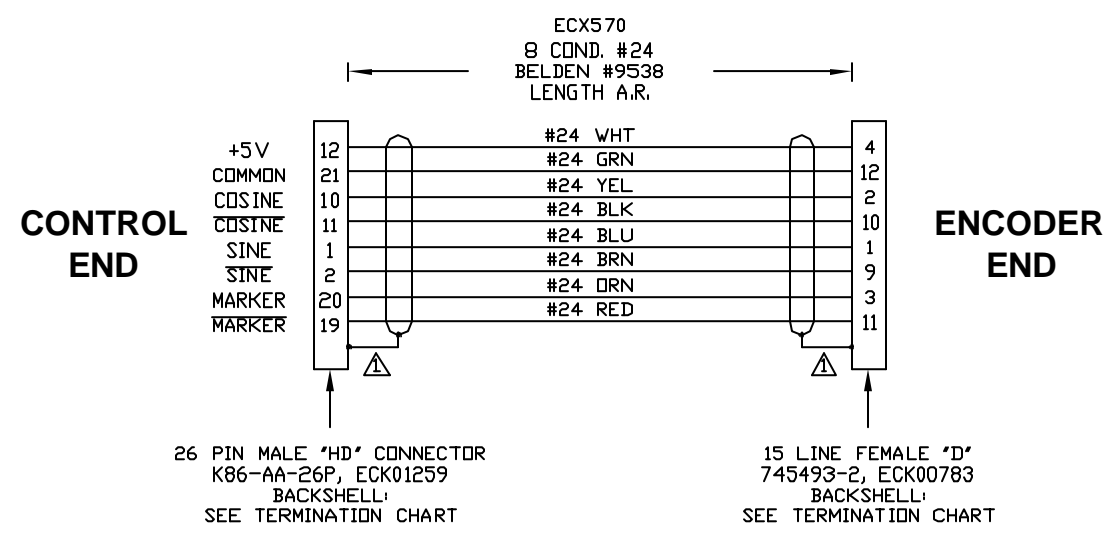


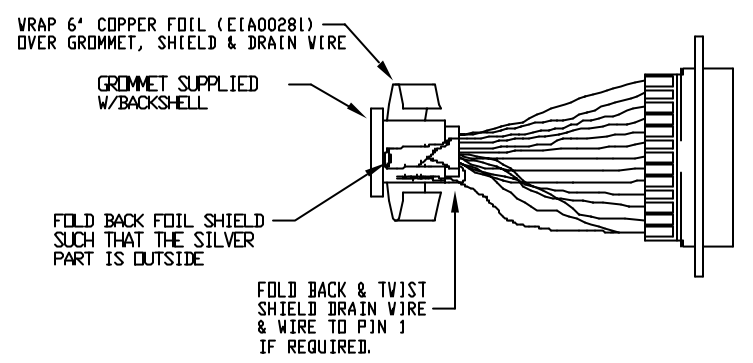
REVISIONS				
REV.	ZONE	DESCRIPTION	DATE	DRAWN



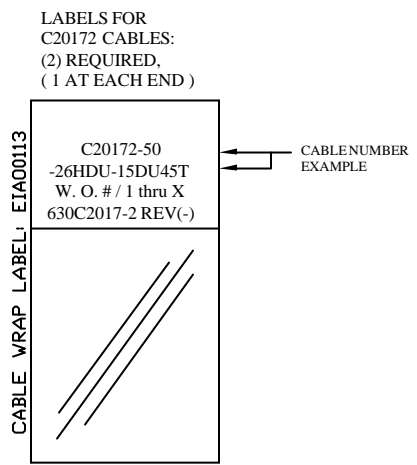
**TERMINATION CHART**

<p><b>26HDU</b> STRAIGHT BACKSHELL (ECK01022) VIEW LOOKING INTO CONTACT SIDE OF CABLE CONNECTOR</p>	<p><b>26HDUT</b> STRAIGHT BACKSHELL (ECK01022) (2) THUMBSCREWS (ECK01247) VIEW LOOKING INTO CONTACT SIDE OF CABLE CONNECTOR</p>	<p><b>15DU</b> STRAIGHT BACKSHELL (ECK01022) VIEW LOOKING INTO CONTACT SIDE OF CABLE CONNECTOR</p>	<p><b>15DUT</b> STRAIGHT BACKSHELL (ECK01022) (2) THUMBSCREWS (ECK01247) VIEW LOOKING INTO CONTACT SIDE OF CABLE CONNECTOR</p>
<p><b>26HDU45L</b> 45 DEGREE BACKSHELL (ECK01173) LEFT HANDED VIEW LOOKING INTO CONTACT SIDE OF CABLE CONNECTOR</p>	<p><b>26HDU45R</b> 45 DEGREE BACKSHELL (ECK01173) RIGHT HANDED VIEW LOOKING INTO CONTACT SIDE OF CABLE CONNECTOR</p>	<p><b>15DU45L</b> 45 DEGREE BACKSHELL (ECK01173) LEFT HANDED VIEW LOOKING INTO CONTACT SIDE OF CABLE CONNECTOR</p>	<p><b>15DU45R</b> 45 DEGREE BACKSHELL (ECK01173) RIGHT HANDED VIEW LOOKING INTO CONTACT SIDE OF CABLE CONNECTOR</p>

**CONNECTOR SHIELDING**

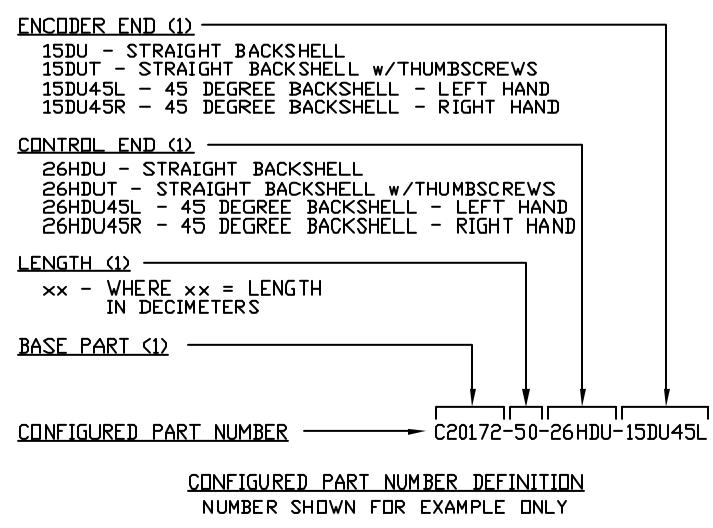


**2. CABLE LABELING**



**CONFIGURED CABLE PROCEDURE:**

- THE PURPOSE OF THIS DRAWING IS TO DEFINE VARIOUS BACKSHELL AND SCREWLOCK TYPES AS REQUIRED BY THE SHOP TRAVELLER.
- LOCATE THE SHOP TRAVELLER FOR CABLE TO BE MANUFACTURED.
  - USING SHOP TRAVELLER AND TERMINATION CHART AT RIGHT:
    - DETERMINE "CONTROL END" TERMINATION.
    - DETERMINE "ENCODER END" TERMINATION.
  - USING THE ABOVE INFORMATION, MANUFACTURE CABLE WITH APPROPRIATE TERMINATIONS.
  - LABEL CABLE WITH NEW CONFIGURED PART NUMBER PER NOTE 2. FOLLOWING THE "CONFIGURED PART NUMBER DEFINITION" SHOWN AT FAR RIGHT.



PROPRIETARY INFORMATION THIS DRAWING IS THE PROPERTY OF AEROTECH, INC. AND IS SUBMITTED IN CONFIDENCE AND SHALL NOT BE REPRODUCED NOR COPIED NOR DISCLOSED TO OTHERS UNDER PENALTY OF LAW.			AEROTECH, INC. 101 Zeta Drive Pittsburgh, PA. 15238 (412)963-7470 www.aerotech.com		
TOLERANCES ON FRACTIONS DECIMALS ANGLES 0 TO 6 ± 1/32 XX ± .01 ± 0-30' OVER 6 ± 1/16 XXX ± .005			<b>CONFIGURED ENCODER FEEDBACK CABLE CABLE: ENC FB-26HDU-15DU-MAX61DM</b>		
RMS FINISH <input checked="" type="checkbox"/> EXCEPT AS NOTED			PART CODE	SIZE	REV.
DRAWN	EJB	11/11/04	-	C	-
CHECKED	AGS	11/11/04	630C2017-2		
APPD.	AGS	11/11/04	SCALE FULL	FILE NAME 630C2017-201.DWG	SHEET 1 OF 1