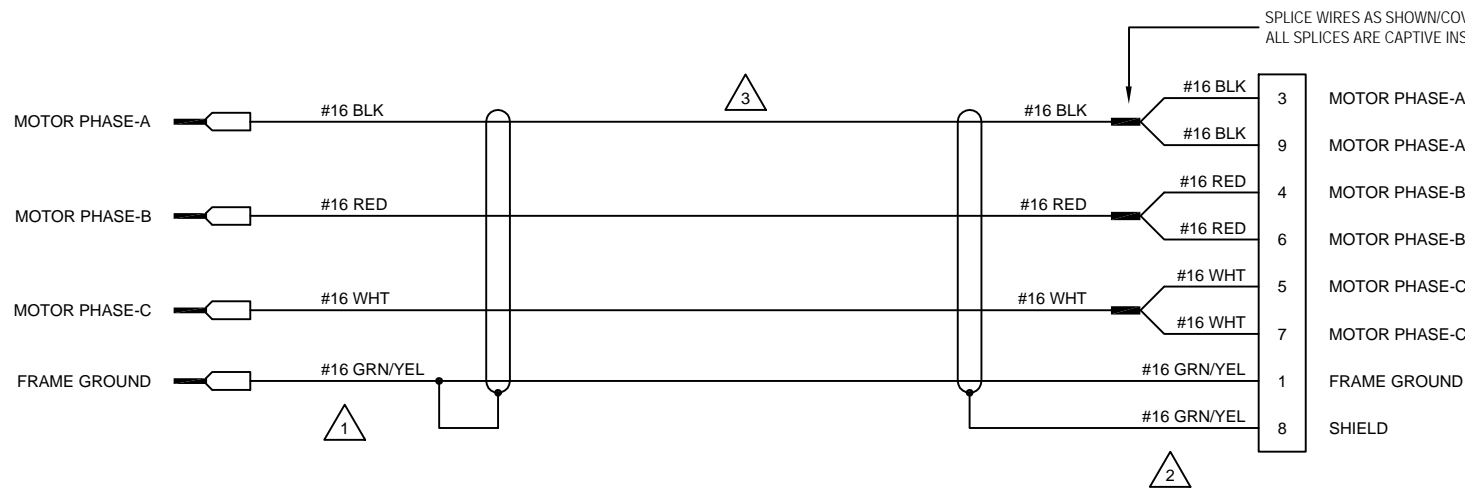
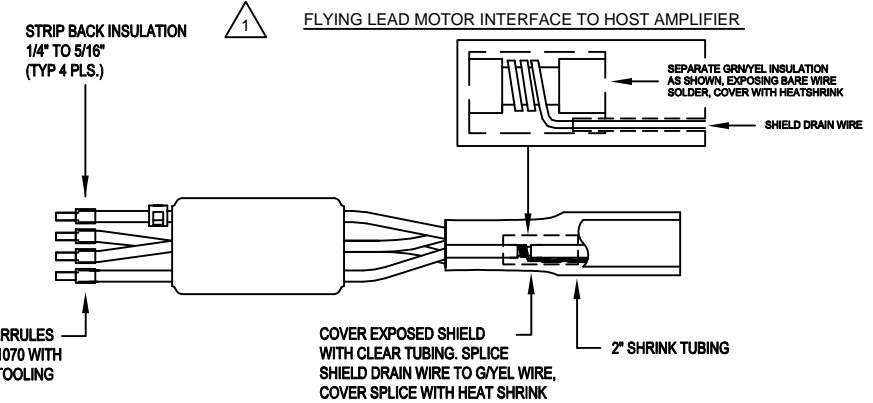


REVISIONS				
REV.	ZONE	DESCRIPTION	DATE	DRAWN
A		ADDED ECN9433	7/5/06	TES



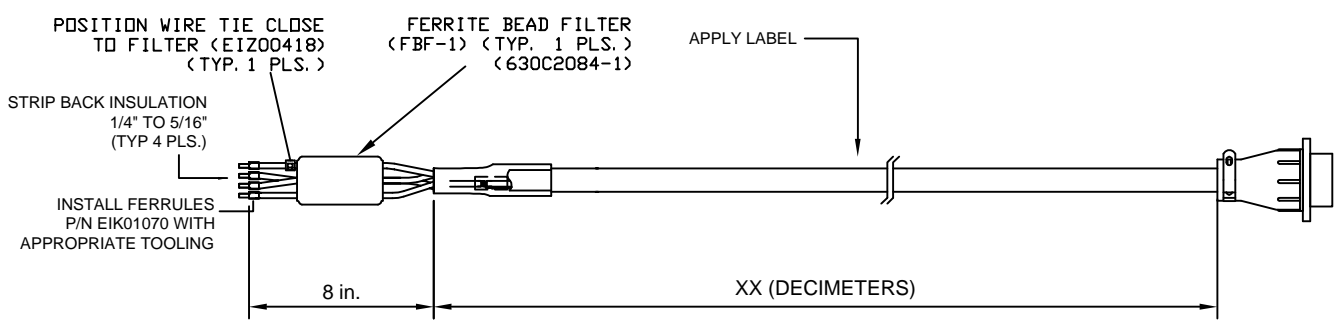
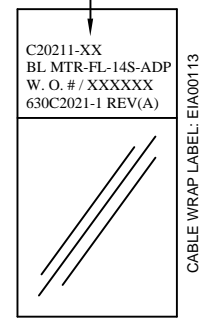
SPLICE WIRES AS SHOWN/COVER WITH SHRINK TUBING
ALL SPLICES ARE CAPTIVE INSIDE CONNECTOR BACKSHELL



INSTALL FERRULES
P/N EIK01070 WITH
APPROPRIATE TOOLING

COVER EXPOSED SHIELD
WITH CLEAR TUBING. SPLICE
SHIELD DRAIN WIRE TO G/YEL WIRE,
COVER SPLICE WITH HEAT SHRINK

XX - INDICATES CABLE LENGTH IN DECIMETERS



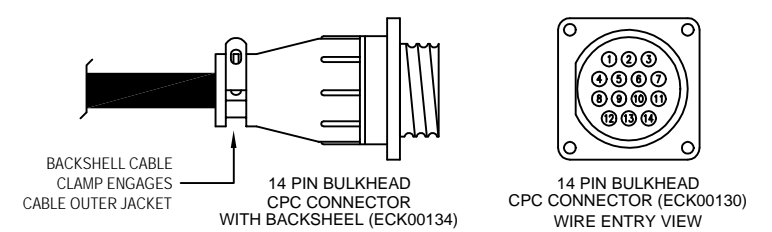
POSITION WIRE TIE CLOSE
TO FILTER (EIZ00418)
(TYP. 1 PLS.)

FERRITE BEAD FILTER
(FBF-1) (TYP. 1 PLS.)
(630C2084-1)

STRIP BACK INSULATION
1/4" TO 5/16"
(TYP 4 PLS.)

INSTALL FERRULES
P/N EIK01070 WITH
APPROPRIATE TOOLING

14 POSITION BULKHEAD CPC CONNECTOR TO STAGE MOTOR CABLE



BACKSHELL CABLE
CLAMP ENGAGES
CABLE OUTER JACKET

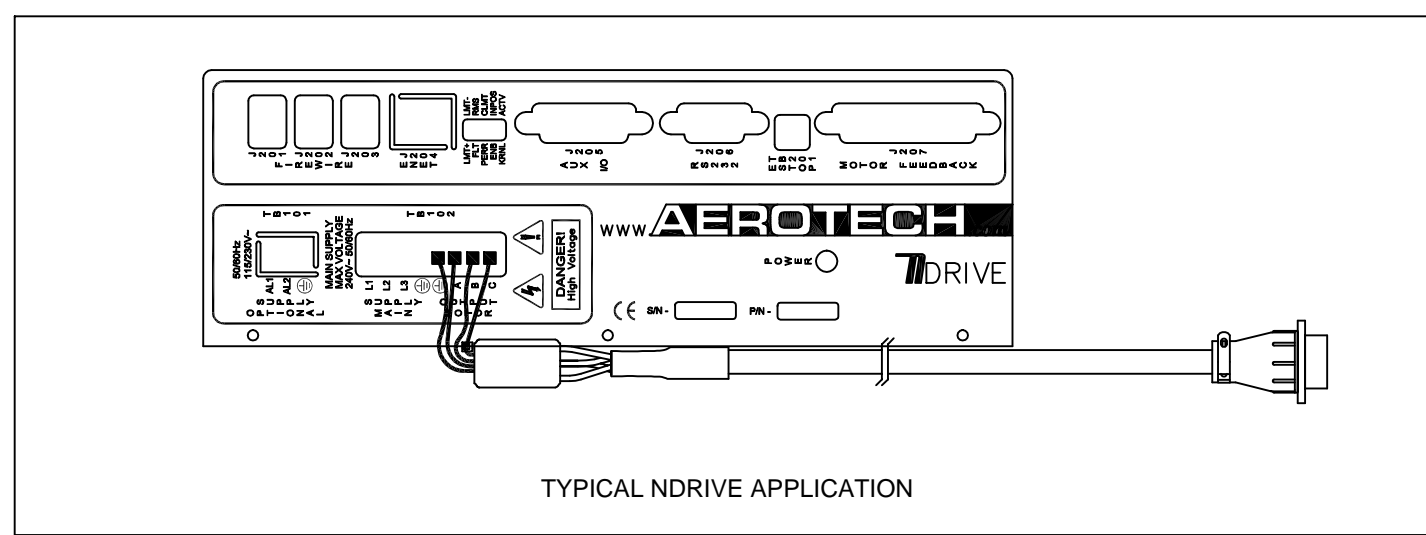
14 PIN BULKHEAD
CPC CONNECTOR
WITH BACKSHELL (ECK00134)

14 PIN BULKHEAD
CPC CONNECTOR (ECK00130)
WIRE ENTRY VIEW

ALL SOCKET CONTACTS
ARE: EIK00154

MOTOR CABLE

- MOTOR CABLE: ECX00566 (4 COND 16G).
- LENGTH IS A.R. (AS REQUIRED) UP TO 30 DCIMETERS (~10 ft.).
- CABLE LENGTH TOLERANCE: +5/-0 CENTIMETERS (+2/-0 in.)
- CABLE PART NUMBER DEFINES CABLE LENGTH
EXAMPLE: C20211-4 CABLE IS 4-DECIMETERS IN LENGTH (or ~ 16in.).
- 1 DECIMETER = 3.937008 in.



TYPICAL NDRIVE APPLICATION

PROPRIETARY INFORMATION THIS DRAWING IS THE PROPERTY OF AEROTECH, INC. AND IS SUBMITTED IN CONFIDENCE AND SHALL NOT BE REPRODUCED NOR COPIED NOR DISCLOSED TO OTHERS UNDER PENALTY OF LAW.		AEROTECH, INC. 101 Zeta Drive Pittsburgh, PA. 15238 (412)963-7470 www.aerotech.com	
TOLERANCES ON FRACTIONS DECIMALS ANGLES 0 TO 6 1/32 .XX ±01 ± 0-30' OVER 6 ±1/16 .XXX ±005		C20211-XX CABLE: BL MTR-FLB-14S-ADP-MAX30D	
RMS FINISH	✓	EXCEPT AS NOTED	
DRAWN	TES	7/6/06	REV. A
CHECKED	AGS	7/6/06	
APPD.	AGS	7/6/06	
PART CODE	SIZE	SCALE	FILE NAME
C20211-XX	C	NTS	630C2021-1A1
630C2021-1		SHEET	1 of 1