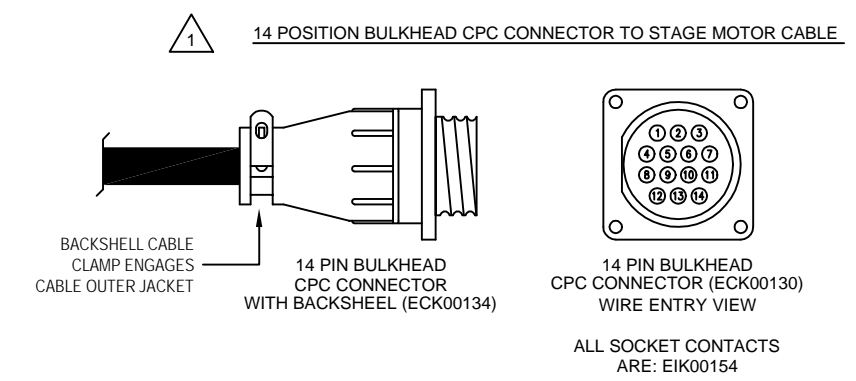
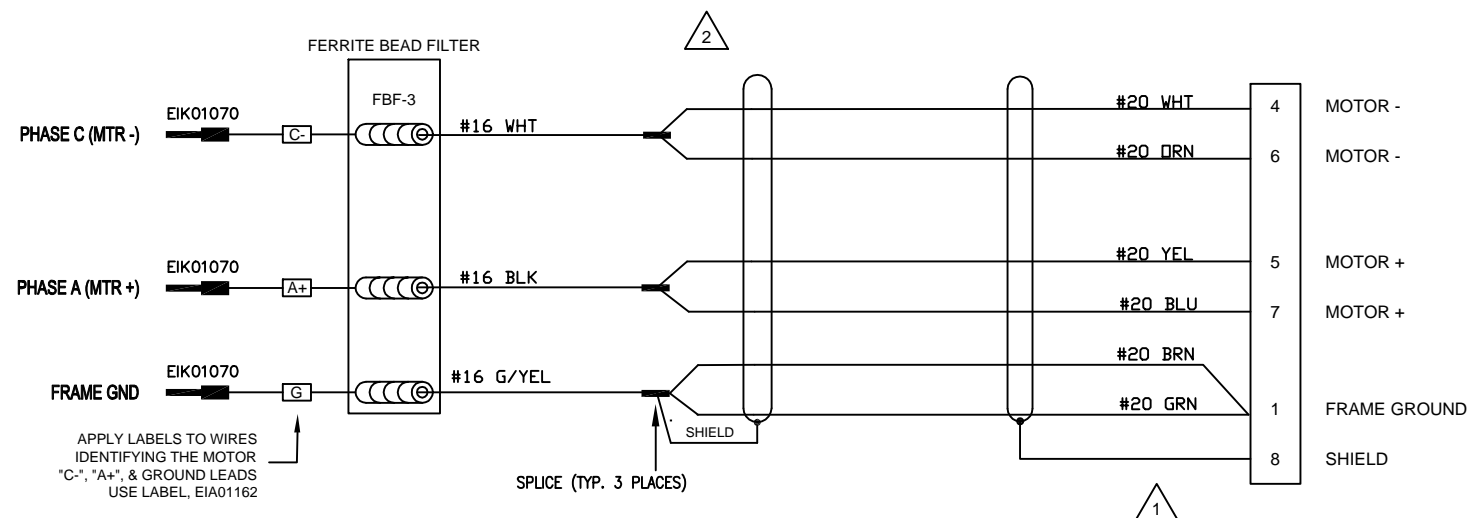
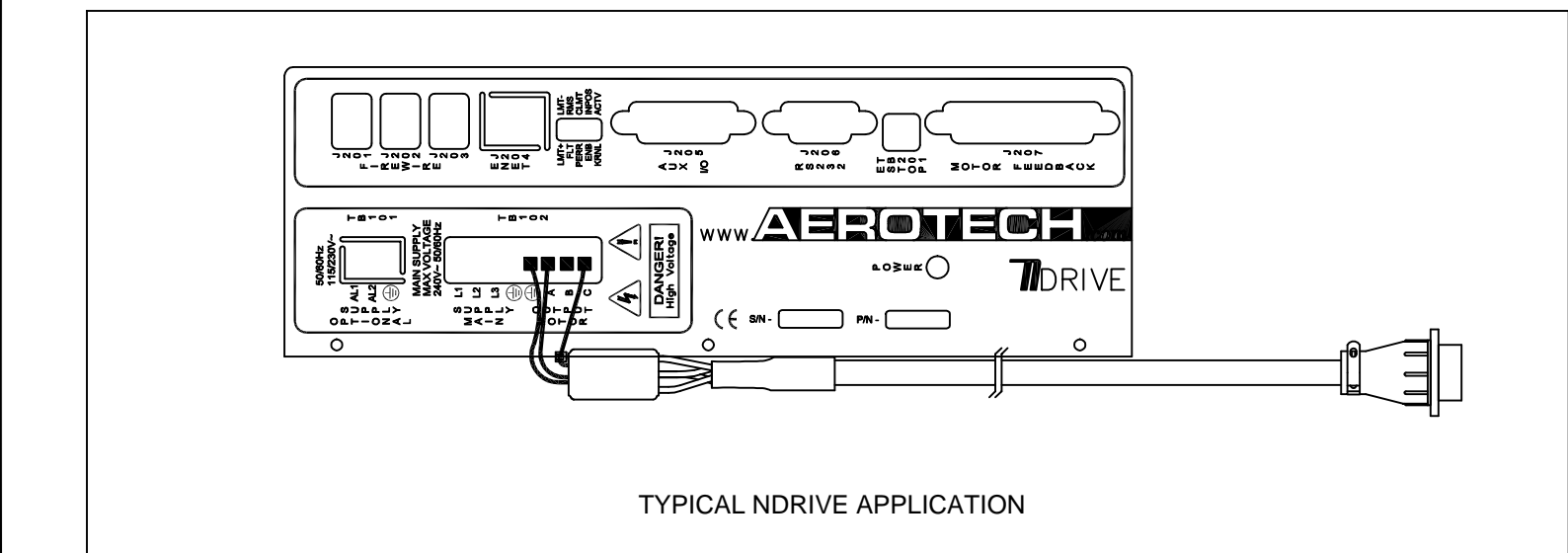
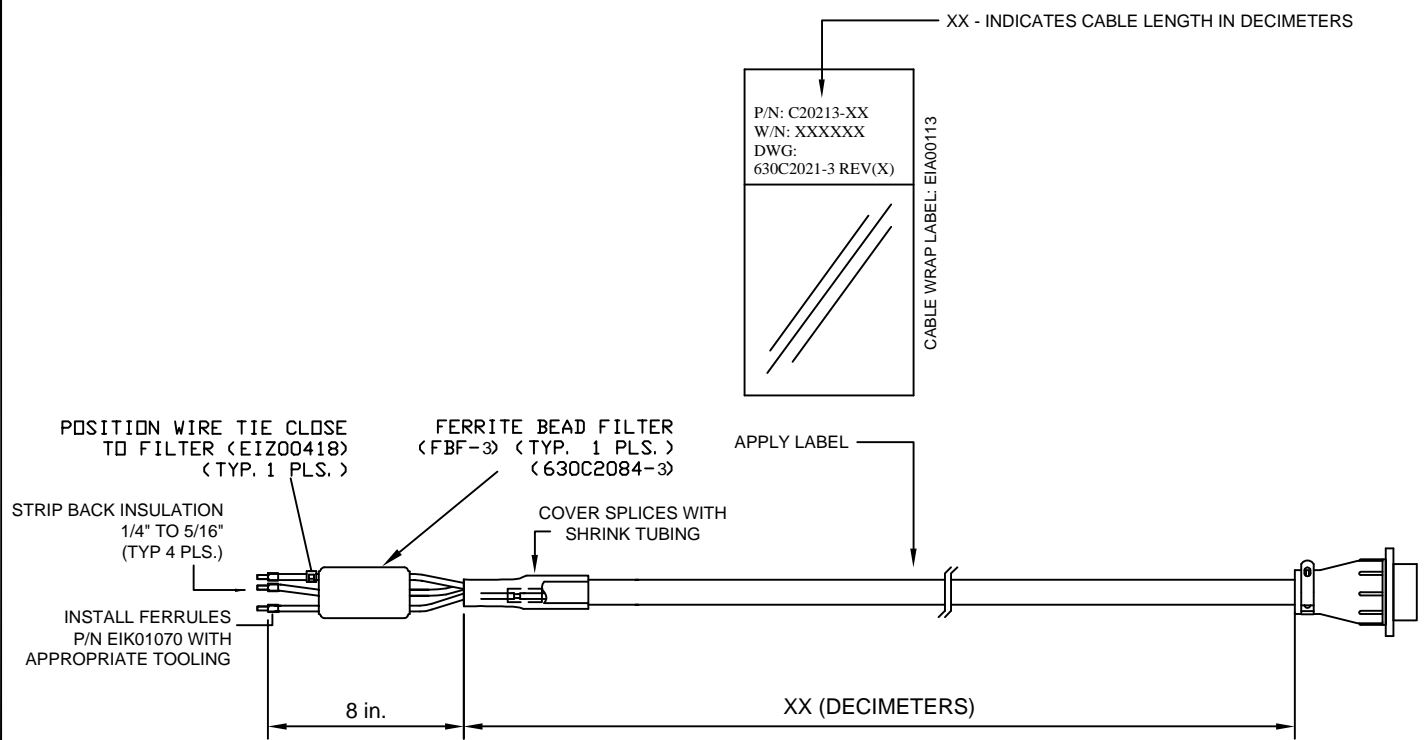


REVISIONS				
REV.	ZONE	DESCRIPTION	DATE	DRAWN



**2 MOTOR CABLE**

- MOTOR CABLE: 7 COND #20 (INSIDE BUNDLE OF ECX00445).
- LENGTH IS A.R. (AS REQUIRED) UP TO 30 DCIMETERS (~10 ft.).
- CABLE LENGTH TOLERANCE: +5/-0 CENTIMETERS (+2/-0 in.).
- CABLE PART NUMBER DEFINES CABLE LENGTH  
EXAMPLE: C20213-4 CABLE IS 4-DCIMETERS IN LENGTH (or ~ 16in.).
- 1 DECIMETER = 3.937008 in.



PROPRIETARY INFORMATION THIS DRAWING IS THE PROPERTY OF AEROTECH, INC. AND IS SUBMITTED IN CONFIDENCE AND SHALL NOT BE REPRODUCED NOR COPIED NOR DISCLOSED TO OTHERS UNDER PENALTY OF LAW.			AEROTECH, INC. 101 Zeta Drive Pittsburgh, PA. 15238 (412)963-7470 www.aerotech.com		
<b>TOLERANCES ON FRACTIONS DECIMALS ANGLES</b> 0 TO 6 1/32 .XX ±01 ± 0-30' OVER 6 1/16 .XXX ±005			<b>C20213-XX</b> <b>CABLE: DC MTR-FLB-14S-ADP-MAX30D</b>		
RMS FINISH		EXCEPT AS NOTED	PART CODE		REV.
DRAWN		DCM	7/6/06	C20213-XX	
CHECKED		AGS	7/6/06	C	
APPD.		AGS	7/6/06	630C2021-3	
SCALE		NTS	FILE NAME	630C2021-301	SHEET 1 of 1