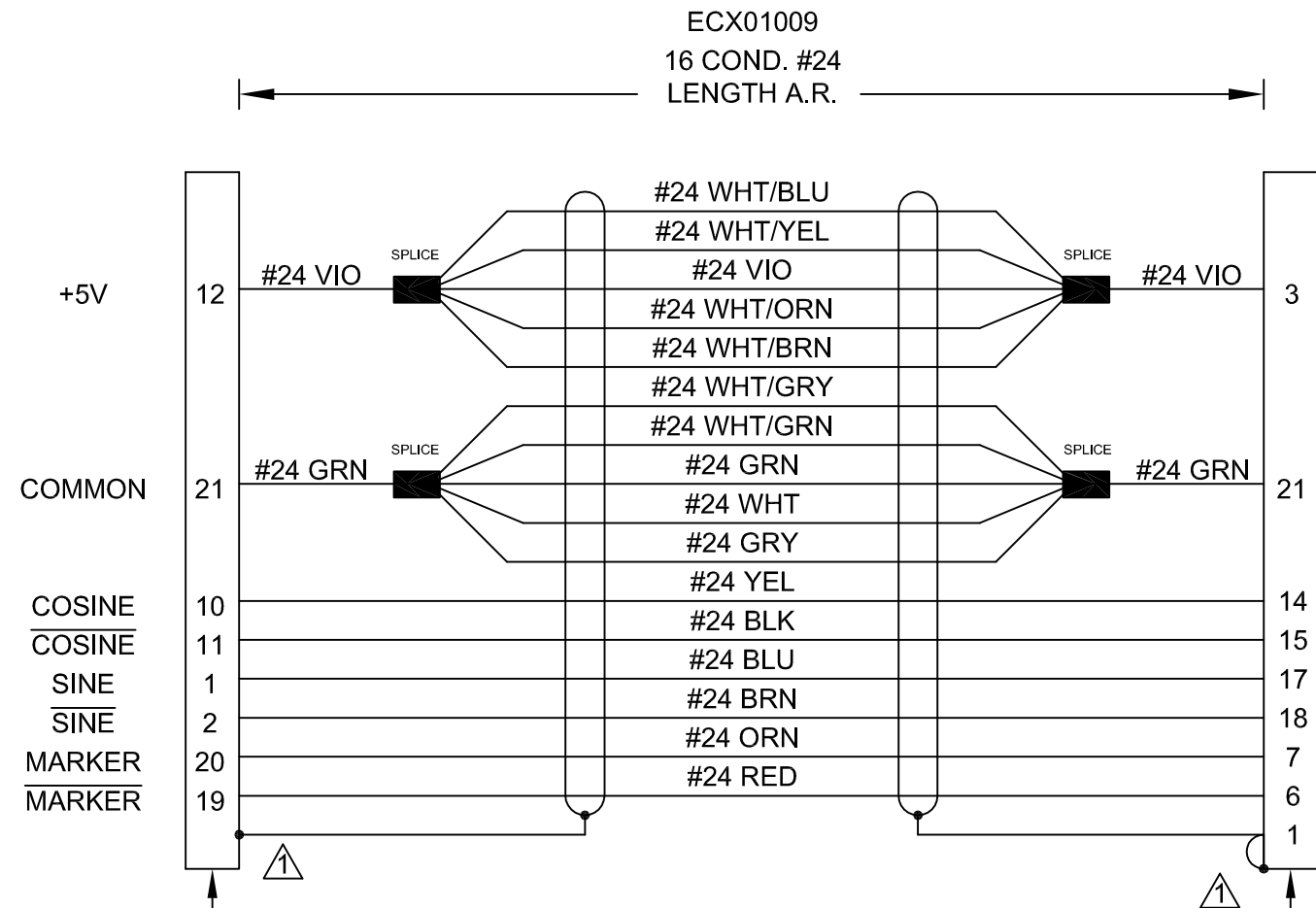


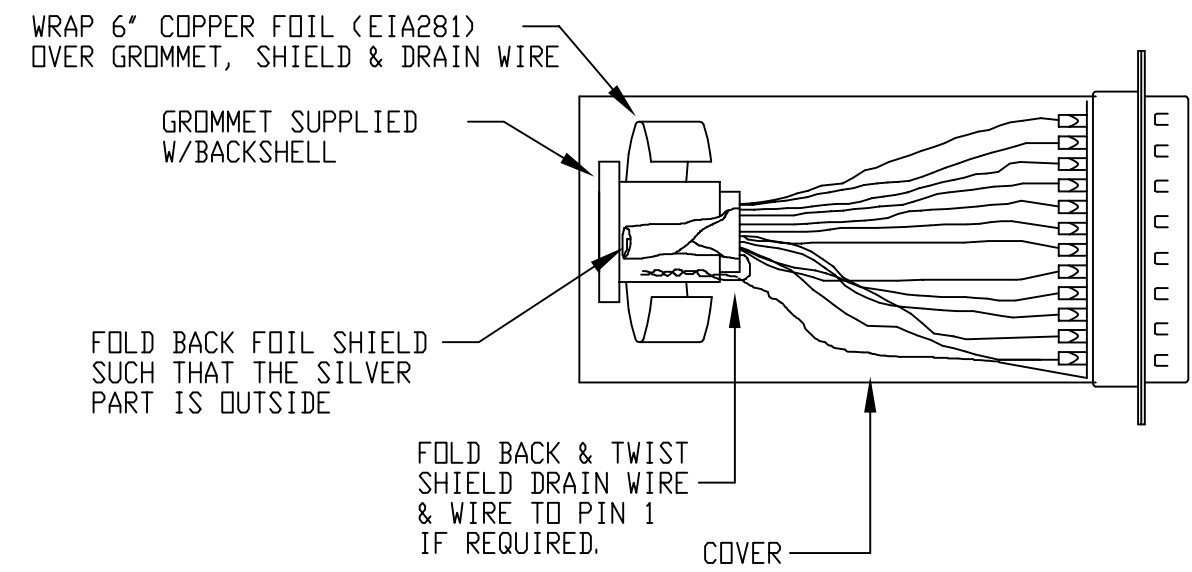
REVISIONS				
REV.	ZONE	DESCRIPTION	DATE	DRAWN



- (1) DA26P HIGH DENSITY CONNECTOR (ECK01259)
- (1) DA15 BACKSHELL (ECK01022)

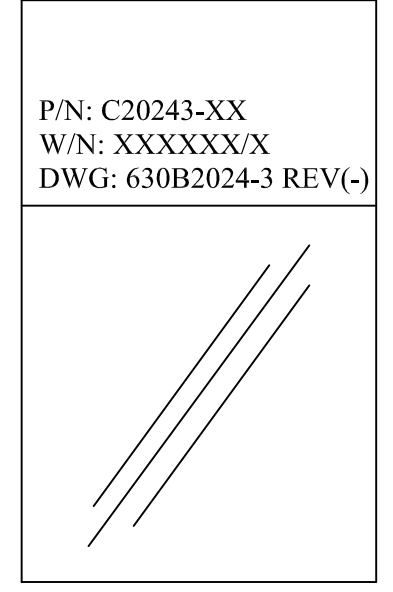
- (1) DB25S, SOLDER CUP (ECK00300)
- (1) DB25 BACKSHELL (ECK00656)

CONNECTOR SHIELDING



2. CABLE LABELING

LABELS FOR  
C20243 CABLES:  
(2) REQUIRED,  
(1 AT EACH END)



**PROPRIETARY INFORMATION**  
THIS DRAWING IS THE PROPERTY  
OF AEROTECH, INC. AND IS  
SUBMITTED IN CONFIDENCE AND  
SHALL NOT BE REPRODUCED NOR  
COPIED NOR DISCLOSED TO OTHERS  
UNDER PENALTY OF LAW.



AEROTECH, INC. 101 Zeta Drive  
Pittsburgh, PA. 15238  
(412)963-7470  
www.aerotech.com

TOLERANCES ON		
FRACTIONS	DECIMALS	ANGLES
0 TO 6 $\frac{1}{32}$	.XX $\pm 01$	$\pm 0-30'$
OVER 6 $\frac{1}{16}$	.XXX $\pm 005$	

RMS FINISH EXCEPT AS NOTED

**ENCODER FEEDBACK CABLE**  
**ENC FB-26HDU-25DU-MAX 182 DM**

DRAWN	TES	3/22/2012
CHECKED	AGS	3/22/2012
APPD.	AGS	3/22/2012

PART CODE	SIZE	REV.
C20243-XX	B	-
SCALE NTS		FILE NAME
		630B2024-301.DWG
SHEET 1 OF 1		

630B2024-3