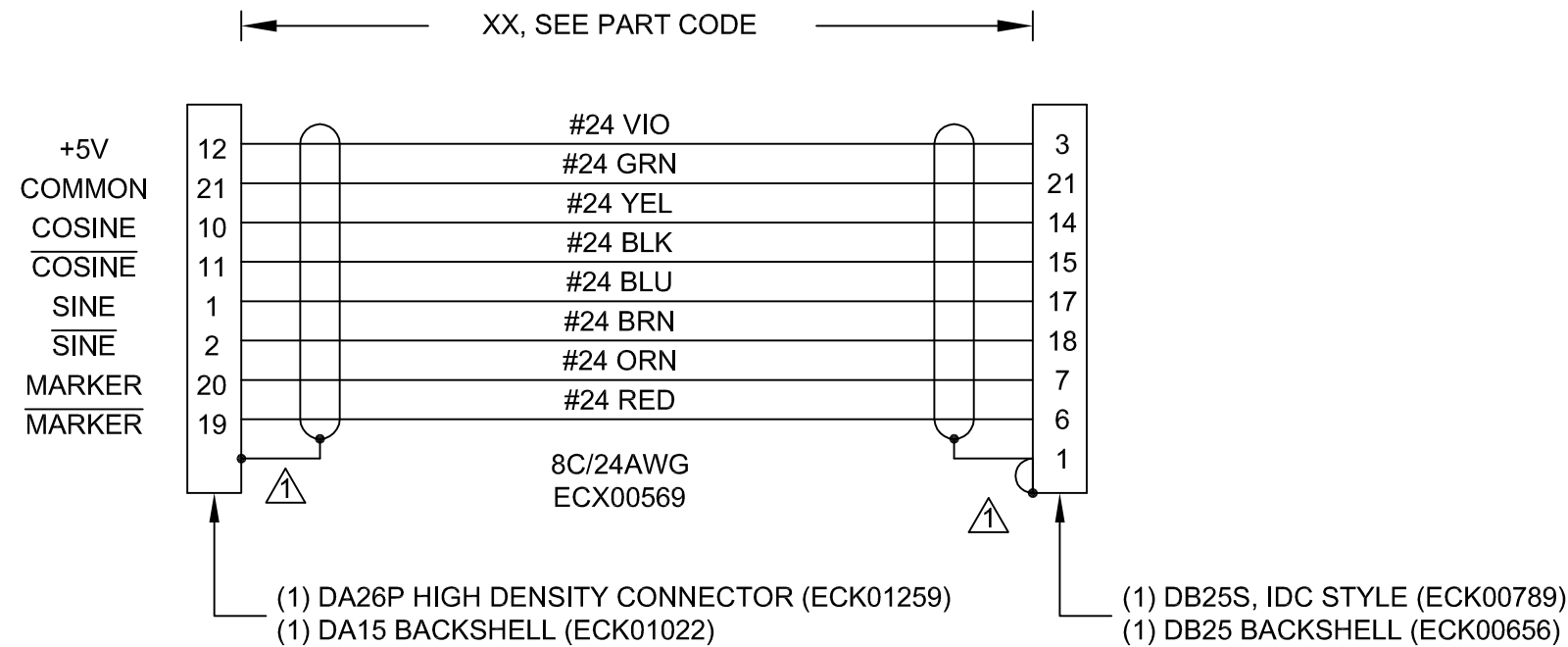


REVISIONS				
REV.	ZONE	DESCRIPTION	DATE	DRAWN



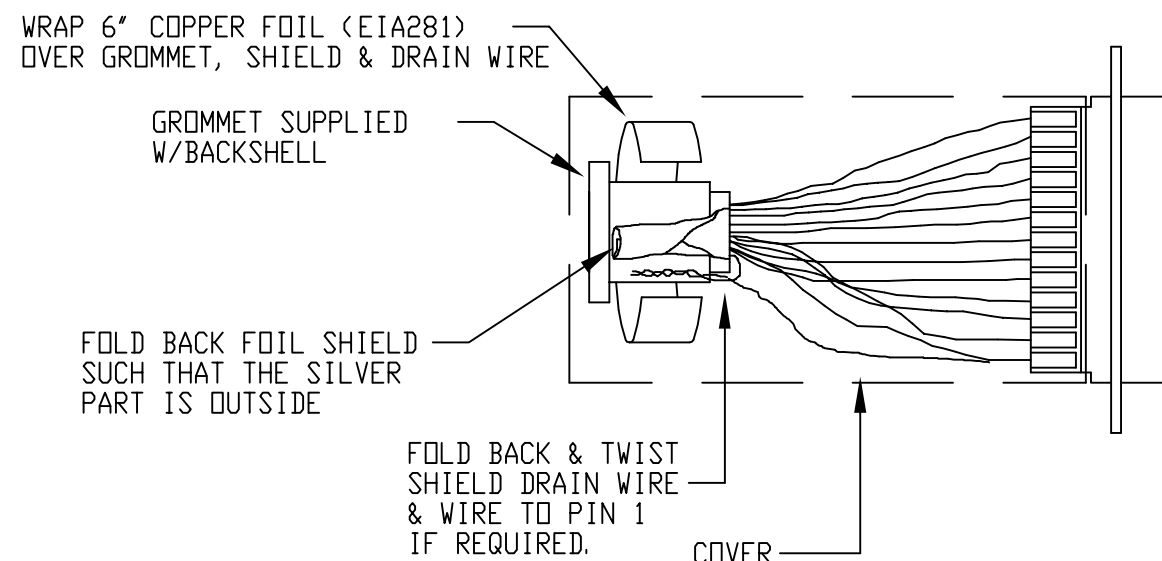
2. CABLE LABELING

LABELS FOR
C20244 CABLES:
(2) REQUIRED,
(1 AT EACH END)


C20244-XX
W. O. # / 1 thru X
630B2024-4 REV-

CABLE WRAP LABEL: EIA00113

CONNECTOR SHIELDING



PART CODE: C20244-XX (XX = CABLE LENGTH IN DECIMETERS)

PROPRIETARY INFORMATION THIS DRAWING IS THE PROPERTY OF AEROTECH, INC. AND IS SUBMITTED IN CONFIDENCE AND SHALL NOT BE REPRODUCED NOR COPIED NOR DISCLOSED TO OTHERS UNDER PENALTY OF LAW.			 AEROTECH, INC. 101 Zeta Drive Pittsburgh, PA. 15238 (412)963-7470 www.aerotech.com		
TOLERANCES ON FRACTIONS DECIMALS ANGLES 0 TO 6 $\frac{1}{32}$.XX ± 01 $\pm 0-30'$ OVER 6 $\frac{1}{16}$.XXX ± 005			ENCODER FEEDBACK CABLE WITH GORE HI FLEX CABLE (ENC FB-26HDU-25DU-HF60-MAX110DM)		
RMS FINISH ✓ EXCEPT AS NOTED					
DRAWN	JLD	9/16/13	PART CODE	SIZE	REV.
CHECKED	EJB	9/16/13	SEE ABOVE	B	-
APPD.	EJB	9/16/13	SCALE NTS	FILE NAME	SHEET 1 OF 1
			630C2024-401DWG	630B2024-4	