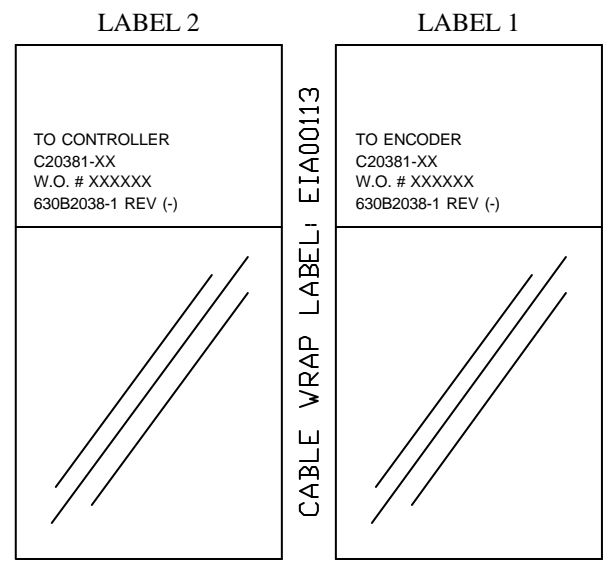
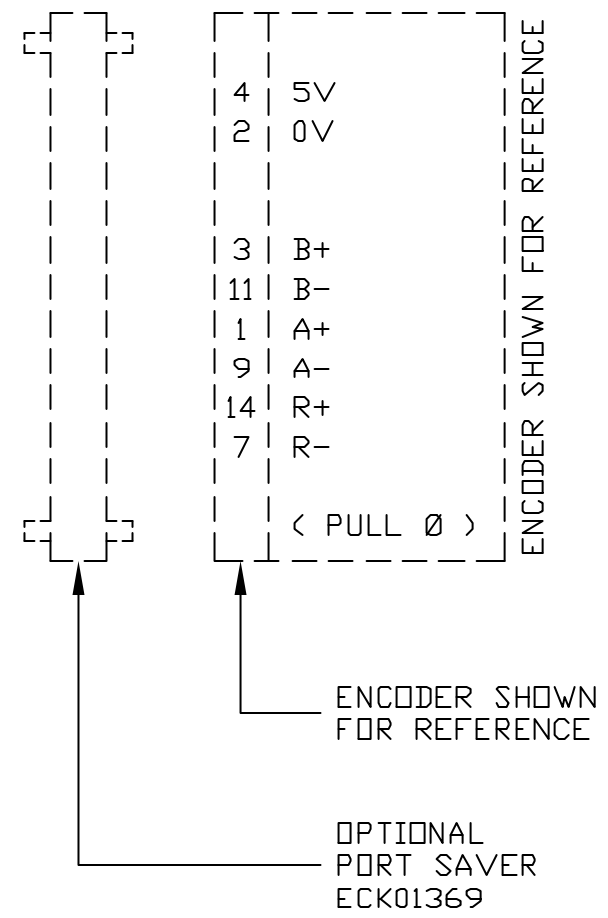
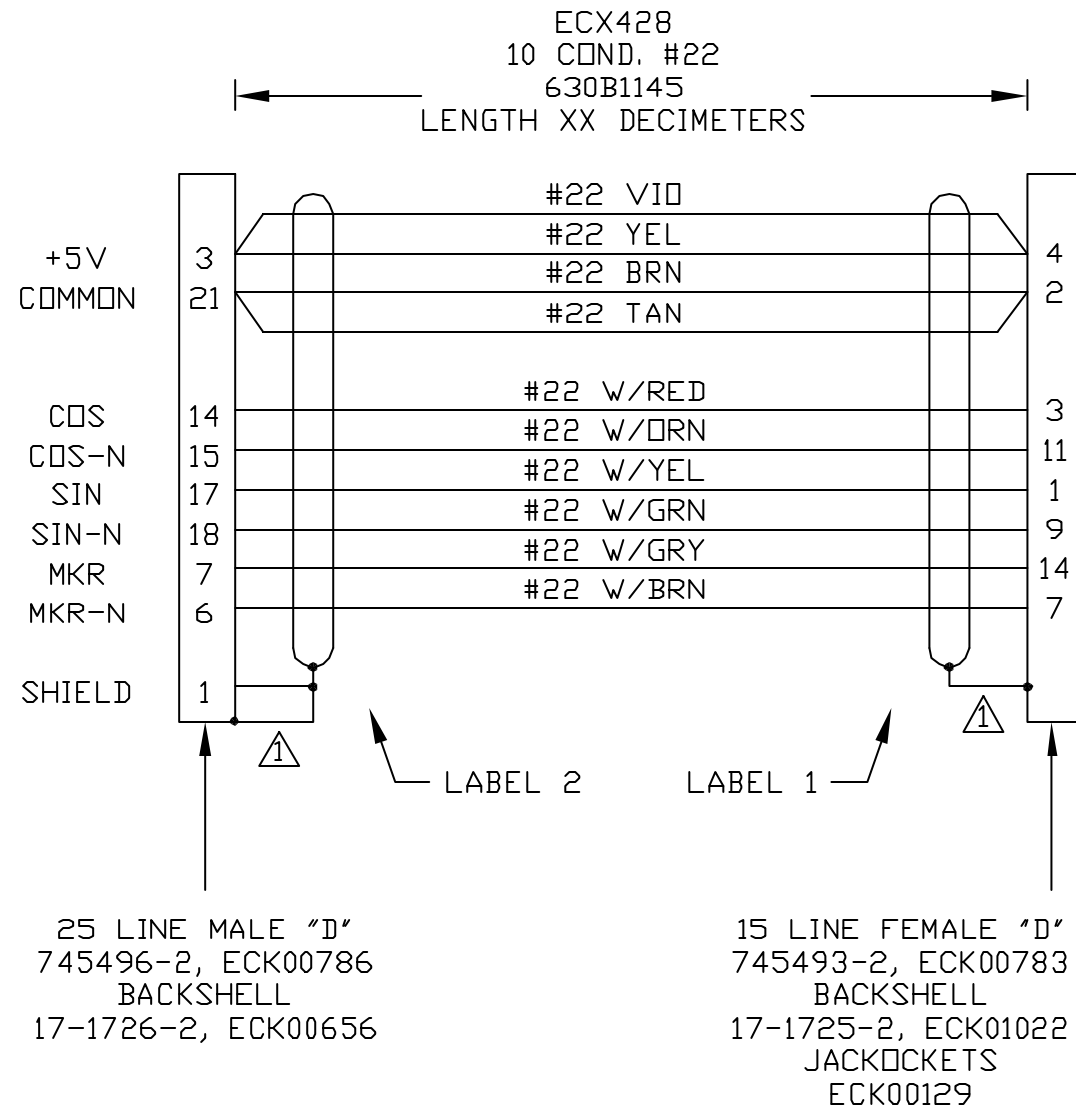
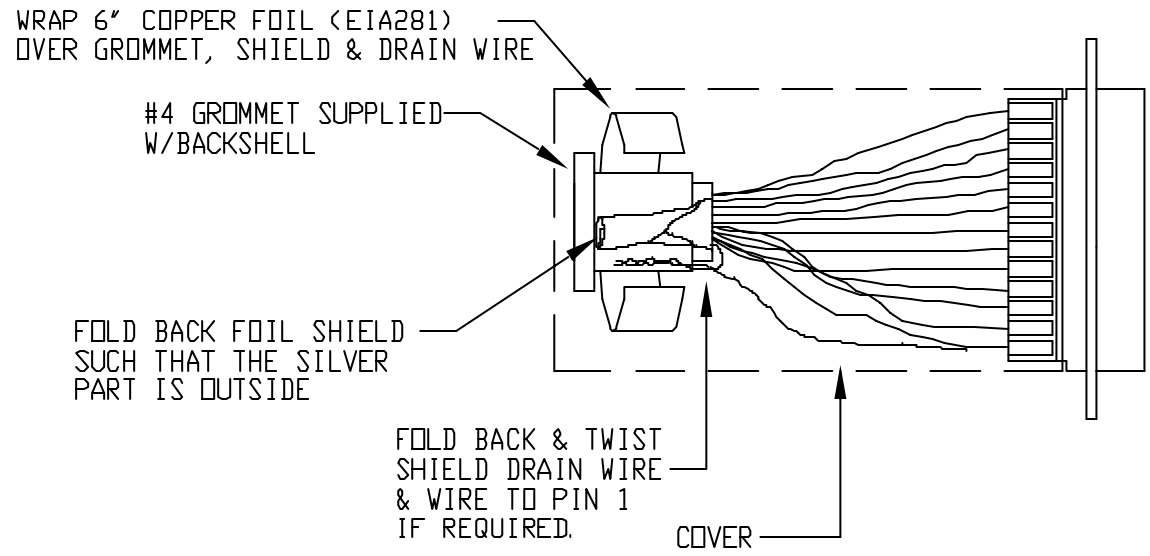


REVISIONS			
REV.	ZONE	DESCRIPTION	DRAWN



CONNECTOR SHIELDING



PROPRIETARY INFORMATION THIS DRAWING IS THE PROPERTY OF AEROTECH, INC. AND IS SUBMITTED IN CONFIDENCE AND SHALL NOT BE REPRODUCED NOR COPIED NOR DISCLOSED TO OTHERS UNDER PENALTY OF LAW.		 AEROTECH, INC. 101 Zeta Drive Pittsburgh, PA. 15238 412-963-7470 FAX: 412-963-7459 www.AEROTECH.com	
TOLERANCES ON FRACTIONS DECIMALS ANGLES 0 TO 6 ± 1/32 .XX ± .01 ± 0-30' OVER 6 ± 1/16 .XXX ± .005		PULL Ø ENCODER EXTENSION CABLE 210 DECIMETERS (70') MAX LENGTH CABLE: ENC FB-25DU-15DU-APE-MAX210DM	
RNS FINISH	EXCEPT AS NOTED	PART CODE	SIZE
DRAWN	R RDXBY	C20381-XX	B
CHECKED	JLJ	630B2038-1	
APPD.	JLJ	SCALE N/A	FILE NAME 630B2038-101.DWG
		SHEET	1 OF 1