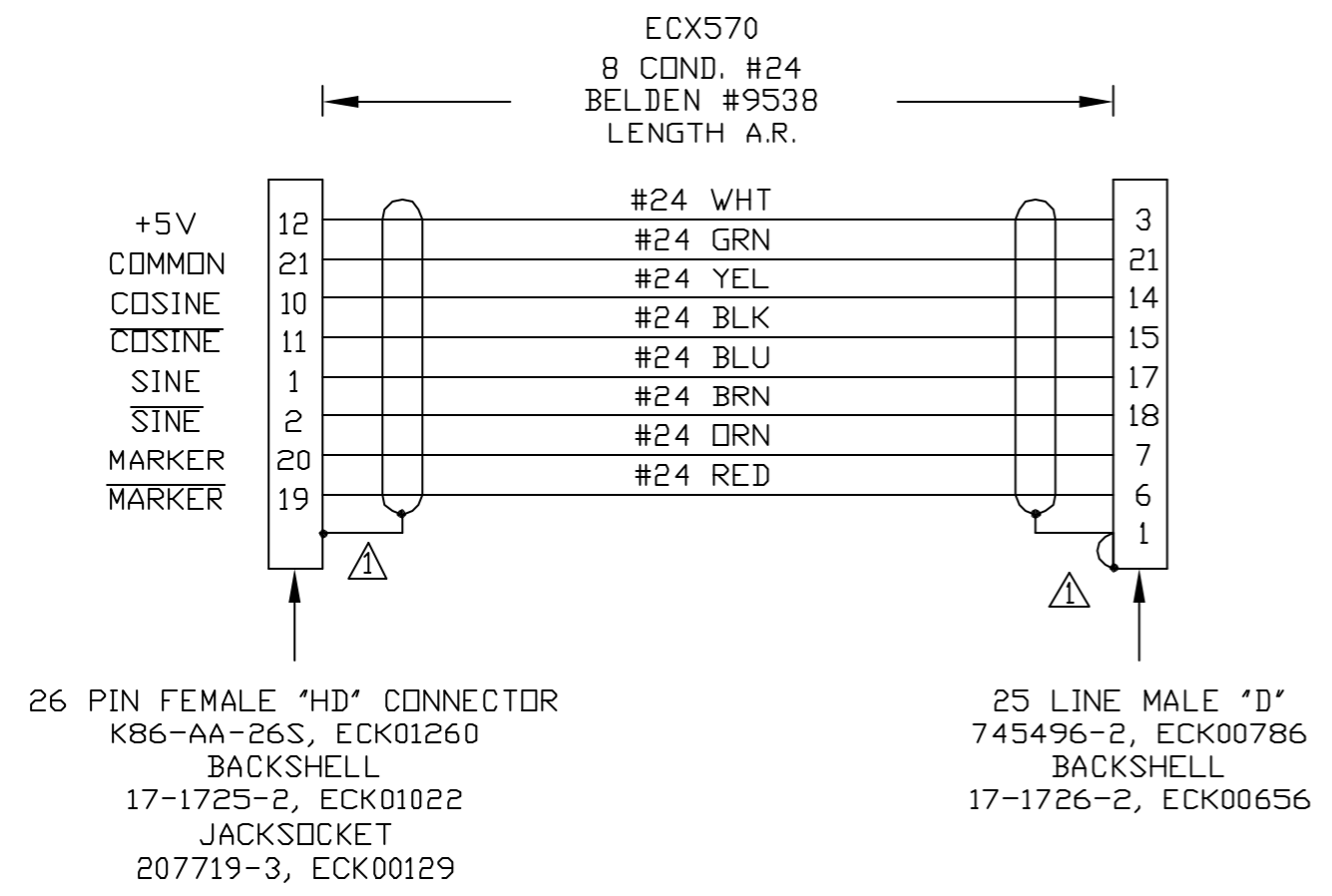
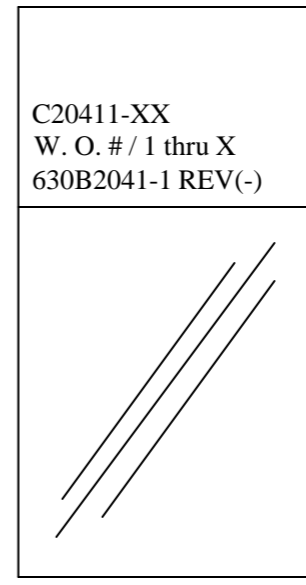


| REVISIONS | | | | |
|-----------|------|-------------|------|-------|
| REV. | ZONE | DESCRIPTION | DATE | DRAWN |

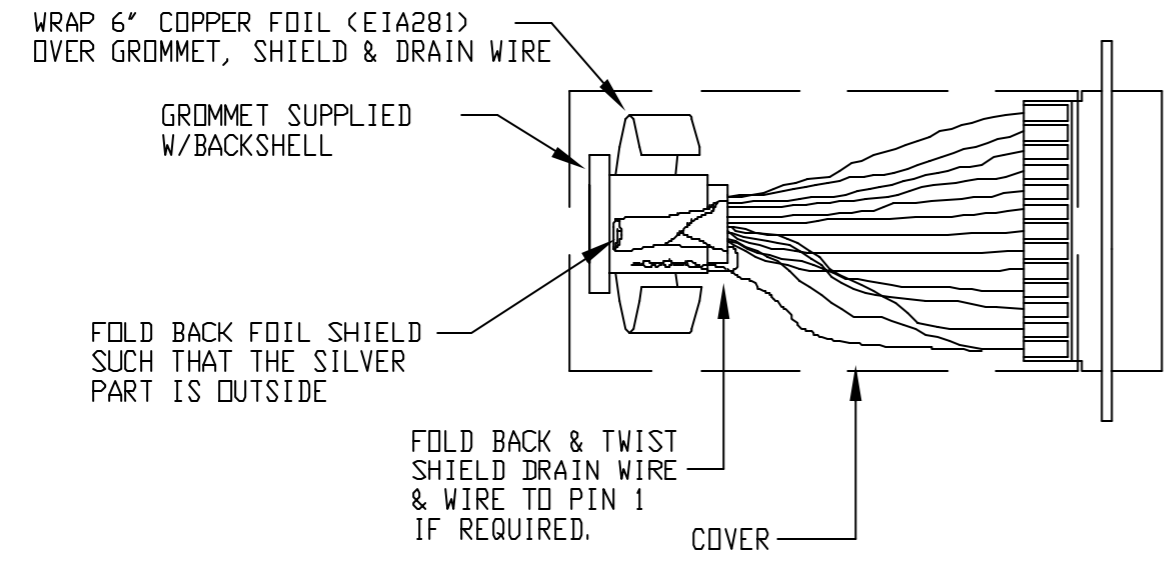



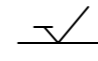
2. CABLE LABELING

LABELS FOR
C20411 CABLES:
(2) REQUIRED,
(1 AT EACH END)



△ CONNECTOR SHIELDING



| | | | | | |
|---|---------------------------|-------------------------------|---|-------------------|-----------|
| PROPRIETARY INFORMATION THIS DRAWING IS THE PROPERTY OF AEROTECH, INC. AND IS SUBMITTED IN CONFIDENCE AND SHALL NOT BE REPRODUCED NOR COPIED NOR DISCLOSED TO OTHERS UNDER PENALTY OF LAW. | | |  AEROTECH, INC. 101 Zeta Drive Pittsburgh, PA. 15238 (412)963-7470 www.aerotech.com | | |
| TOLERANCES ON FRACTIONS DECIMALS ANGLES 0 TO 6 ± 1/32 .XX ± .01 ± 0-30' OVER 6 ± 1/16 .XXX ± .005 | | | ENCODER FEEDBACK CABLE ENC FB-25DU-26HDU-MAX61DM | | |
| RMS FINISH  EXCEPT AS NOTED | | PART CODE C20411-XX | SIZE B | 630B2041-1 | REV. - |
| DRAWN AGS 4/21/04 | CHECKED EJB 4/21/04 | APPD. EJB 4/21/04 | SCALE NTS FILE NAME 630B2041-101 | SHEET 1 OF 1 | |