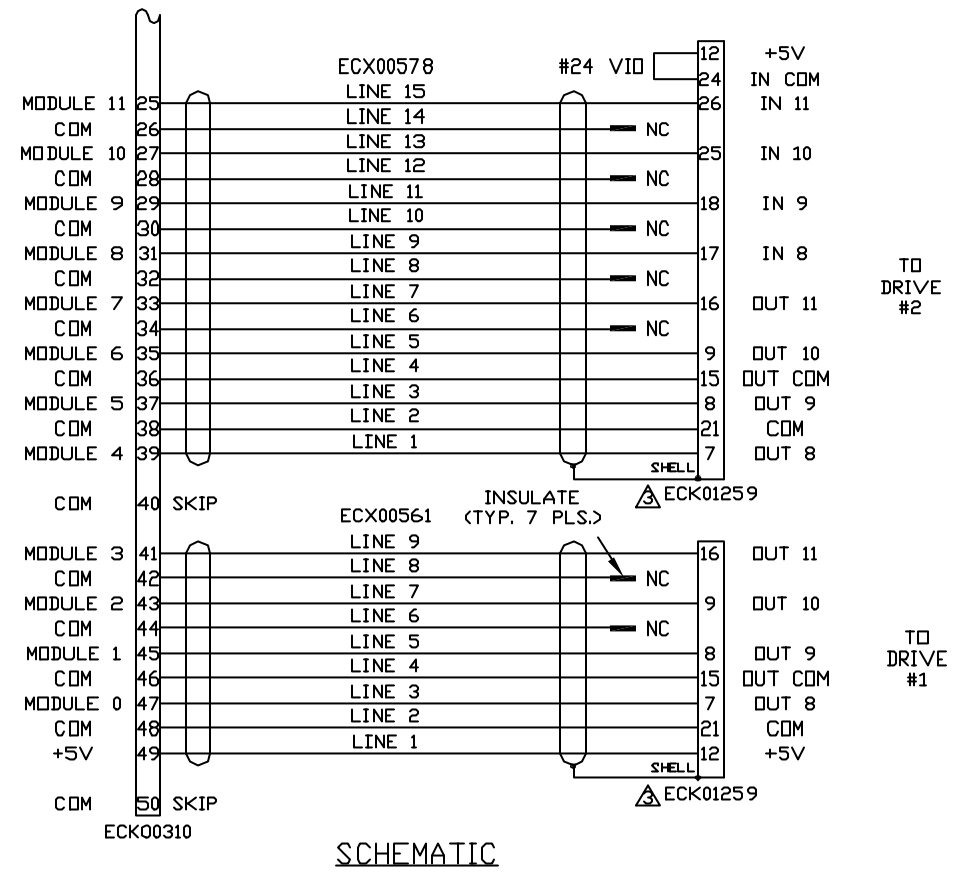
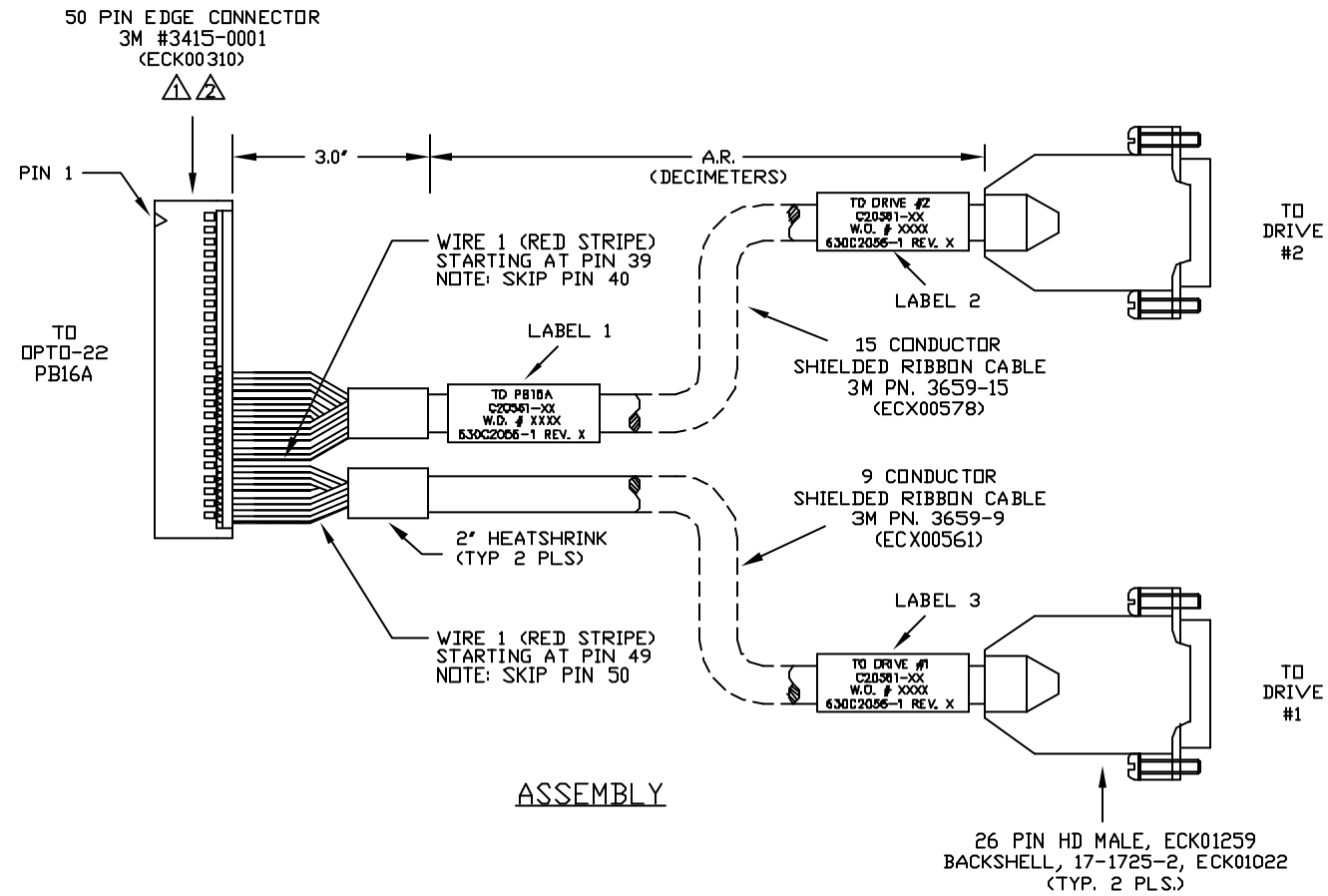
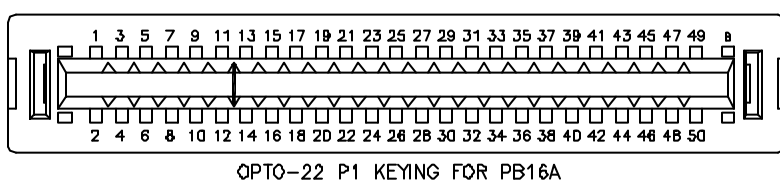


REVISIONS				
REV.	ZONE	DESCRIPTION	DATE	DRAWN



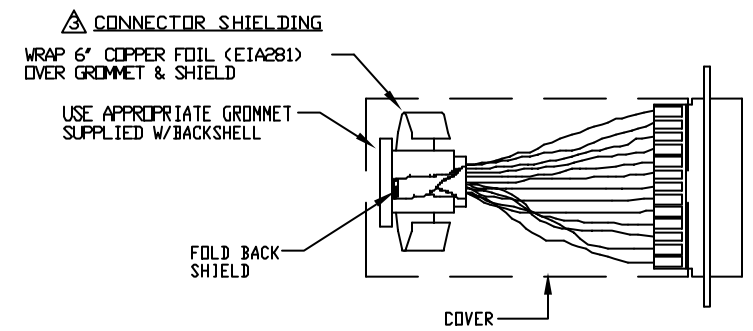
△ INSTALL 3M #3439-2 (EIK467) AT POSITION SHOWN:



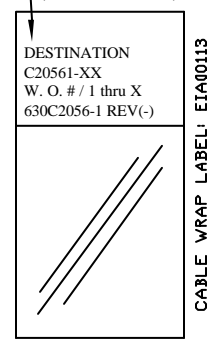
△ PB16A CONNECTOR DESCRIPTION:

OPTO-22 EDGE CONNECTOR PIN OUT	MODULE POSITION	MODULE TYPE	FIELD CONNECTION (BARRIER STRIP)	CONTROLLER DESCRIPTION	DRIVE NUMBER
49				+5V SUPPLY	DRIVE #1
48				COM	
47	0	OUTPUT	1 AND 2	OUT 8	DRIVE #1
45	1	OUTPUT	3 AND 4	OUT 9	
43	2	OUTPUT	5 AND 6	OUT 10	
41	3	OUTPUT	7 AND 8	OUT 11	
39	4	OUTPUT	9 AND 10	OUT 8	
37	5	OUTPUT	11 AND 12	OUT 9	DRIVE #2
35	6	OUTPUT	13 AND 14	OUT 10	
33	7	OUTPUT	15 AND 16	OUT 11	
31	8	INPUT	17 AND 18	IN 8	
29	9	INPUT	19 AND 20	IN 9	
27	10	INPUT	21 AND 22	IN 10	DRIVE #2
25	11	INPUT	23 AND 24	IN 11	

NOTE: ALL EVEN PINS ARE CONNECTED TO COMMON.



SEE LABELS 1, 2 & 3 FOR DESTINATION
 LABELS FOR C20561 CABLES: (3) REQUIRED, (1 AT EACH END)



PROPRIETARY INFORMATION THIS DRAWING IS THE PROPERTY OF AEROTECH, INC. AND IS SUBMITTED IN CONFIDENCE AND SHALL NOT BE REPRODUCED NOR COPIED NOR DISCLOSED TO OTHERS UNDER PENALTY OF LAW.		AEROTECH, INC. 101 Zeta Drive Pittsburgh, PA. 15238 (412)963-7470 TWX710-795-3125	
TOLERANCES ON FRACTIONS DECIMALS ANGLES 0 TO 6 ± 1/32 XX ± .01 ± 0-30' OVER 6 ± 1/16 XXX ± .005		NC/NL/NDRIVE PB16A CABLE (IO-26HDU 26HDU-50EDGE-SRR)	
RMS FINISH <input checked="" type="checkbox"/> EXCEPT AS NOTED		PART CODE C20561-XX	SIZE C
DRAWN EJB 6/8/04	CHECKED AGS 6/8/04	630C2056-1	
APPD. AGS 6/8/04	SCALE NTS	FILE NAME 630C2056-101.dwg	SHEET 1 OF 1