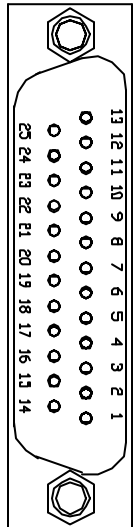


REVISIONS				
REV.	ZONE	DESCRIPTION	DATE	APPROVAL
-	-	-	-	-

IDC STYLE DB25P CONN. (ECK00786)  
DB25 BACKSHELL (ECK00666)

CABLE FEEDBACK 25 COND SLD, CONSOLIDATED  
(ECK01182)

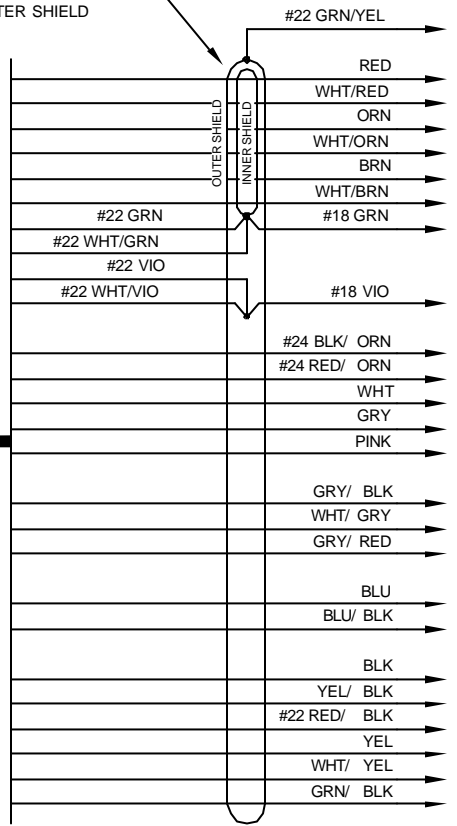
PIN	WIRE	SIGNAL
13	BLU/BLK	BRAKE -
12	WHT	CW/+ LMT
11	GRY/RED	HC
10	GRY/BLK	HA
9	#22 RED/BLK	SETUP (-5V)
8	WHT/YEL	TACH-
7	BRN	MKR
6	WHT/BRN	MKR-N
5	WHT/GRY	HB
4	GRN/BLK	COM
3(1/2)	#22 VIO	ENC +5V
3(2/2)	#22 WHT/VIO	ENC +5V
2	BLK	EXT SD
1	OUTER SHIELD	OUTER SHIELD
14	RED	COS
15	WHT/RED	COS-N
16	#24 RED/ORN	LMT +5V
17	ORN	SIN
18	WHT/ORN	SIN-N
19	YEL	TACH+
20	#24 BLK/ORN	LMT COM
21(1/3)	#22 GRN	ENC COM
21(2/3)	#22 WHT/GRN	ENC COM
21(3/3)	INNER SHIELD	INNER SHIELD
22	PINK	HM LMT
23	YEL/BLK	ENC FLT
24	GRY	CCW/- LMT
25	BLU	BRAKE+



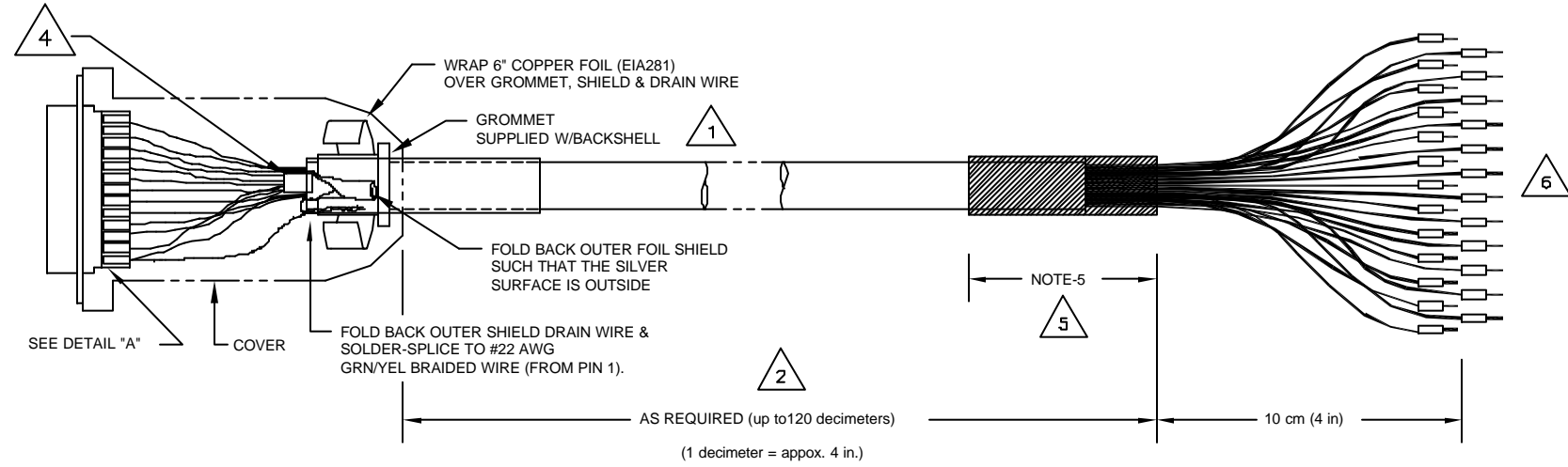
DETAIL "A"

IDC STYLE DB25P CONN. (ECK00786)  
(WIRE ENTRY VIEW)

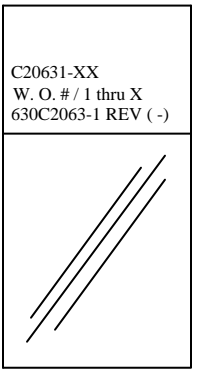
INNER SHIELD  
MUST BE ISOLATED FROM  
OUTER SHIELD



- #22 GRN/YEL → SHIELD
- RED → COS
- WHT/RED → COS-N
- ORN → SIN
- WHT/ORN → SIN-N
- BRN → MKR
- WHT/BRN → MKR-N
- #18 GRN → ENCODER COMMON
- #22 GRN →
- #22 WHT/GRN →
- #22 VIO →
- #22 WHT/VIO →
- #18 VIO → ENCODER 5V
- #24 BLK/ ORN → LIMITS COMMON
- #24 RED/ ORN → LIMITS 5V
- WHT → CW/+ LIMIT
- GRY → CCW/- LIMIT
- PINK → HOME LIMIT
- GRY/ BLK → HALL-A
- WHT/ GRY → HALL-B
- GRY/ RED → HALL-C
- BLU → BRAKE (+)
- BLU/ BLK → BRAKE (-)
- BLK → EXTERNAL SHUT DOWN (motor thermistor)
- YEL/ BLK → ENCODER FAULT
- #22 RED/ BLK → SETUP
- YEL → TACH (+)
- WHT/ YEL → TACH (-)
- GRN/ BLK → COMMON



LABELS FOR  
C20631 CABLES:  
(2) REQUIRED,  
(1 AT EACH END)



**4** UNWRAP INNER FOIL SHIELD AS FAR BACK AS POSSIBLE SEPARATE GREEN WIRE INSULATION. SOLDER-SPlice WHT/GRN & INNER DRAIN WIRES TO GREEN WIRE. WRAP INNER FOIL SHIELD OVER SOLDER-SPlice COVER INNER BUNDLE. SPlice & INNER SHIELD WITH SHRINK TUBING AS FAR IN CABLE AS POSSIBLE. CONNECT GREEN WIRE TO PIN 21. SEE DETAIL "B". NOTE: INNER SHIELD MUST NOT TOUCH OUTER SHIELD OR BACKSHELL.

**3** FOR CRIMP TOOL USE AMP HANDLE ASSY 6807-1 WITH AMP HEAD ASSY 3808-2

**2** STARTING CABLE LENGTH = 30 cm (12") LONGER THAN REQUIRED LENGTH.

**1** USE #2 GROMMET WITH 2 DOTS AS SHOWN BELOW WHICH IS SUPPLIED W/BACKSHELL.

**DETAIL "B"**

- 6** TERMINATE ALL FLYING LEADS WITH FERRULES.  
#24 - #22 / USE ECK01061 (WHT)  
#18 / USE ECK01072 (RED)
- 5** INSTALL SHRINK TUBING WHERE CABLE JACKET TERMINATES. OVER-LAP CABLE JACKET 6 cm (2 in.); OVER-LAP EXPOSED WIRES AND SPICES AS REQUIRED.

PART CODE: → C20631-XX | C20631-1 TO 120 | LENGTHS 1 TO 120 decimeters

**PROPRIETARY INFORMATION**  
THIS DRAWING IS THE PROPERTY OF AEROTECH, INC. AND IS SUBMITTED IN CONFIDENCE AND SHALL NOT BE REPRODUCED NOR COPIED NOR DISCLOSED TO OTHERS UNDER PENALTY OF LAW.

**AEROTECH** AEROTECH, INC. 101 Zeta Drive  
Pittsburgh, PA. 15238  
(412)963-7470  
www.aerotech.com

**BRUSHLESS FEEDBACK CABLE**  
**CABLE: BL FB-25DU-FL**  
(FROM CONTROLLER TO FLYING LEAD INTERFACE)

DRAWN	JAB	10/15/04	PART CODE	SIZE	REV.
CHECKED	AGS	10/15/04	SEE ABOVE	C	-
APPD.	AGS	10/15/04	SCALE	FILE NAME	SHEET
			NTS	630C2063-1.DWG	1 OF 1