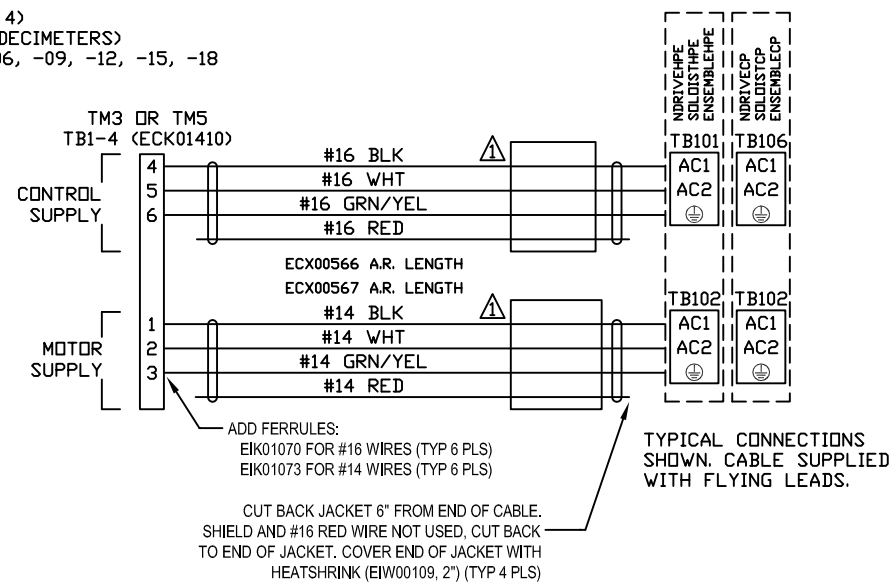


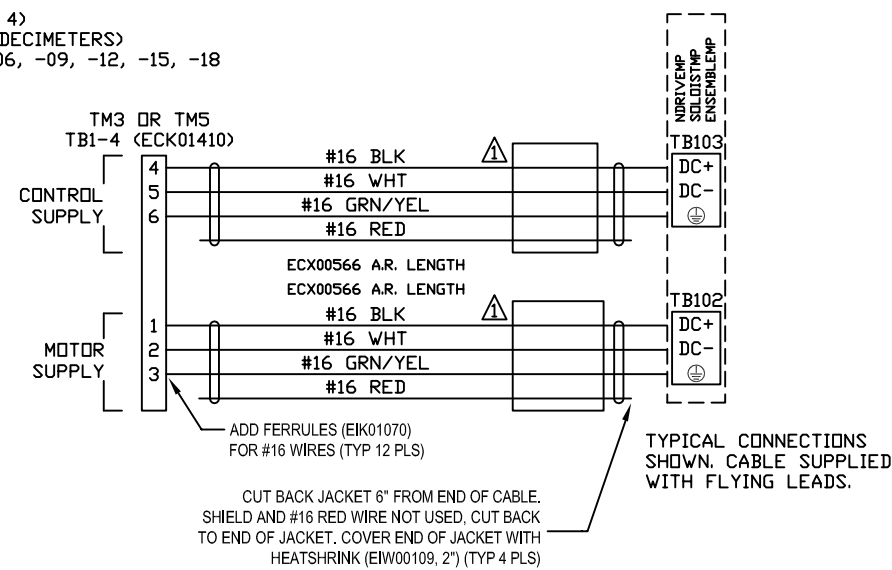
CxAB-yy: TM OUTPUT CABLE FOR MOTOR AND CONTROL SUPPLY

x = AXIS (1 THRU 4)
yy = LENGTH (IN DECIMETERS)
STD LENGTHS = -06, -09, -12, -15, -18



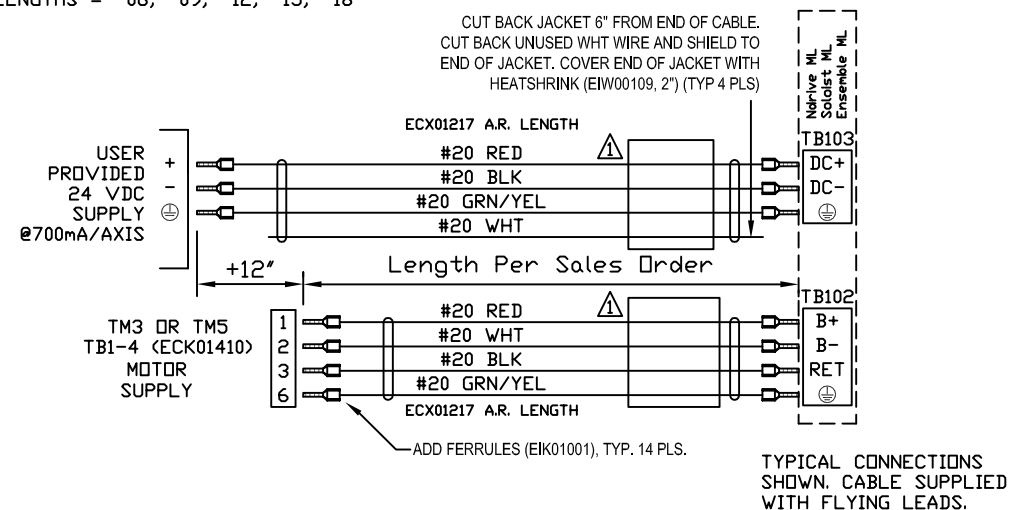
CxAM-yy: TM OUTPUT CABLE FOR MOTOR AND CONTROL SUPPLY

x = AXIS (1 THRU 4)
yy = LENGTH (IN DECIMETERS)
STD LENGTHS = -06, -09, -12, -15, -18



CxML-yy: TM OUTPUT CABLE FOR MOTOR AND CONTROL SUPPLY (ML Drive)

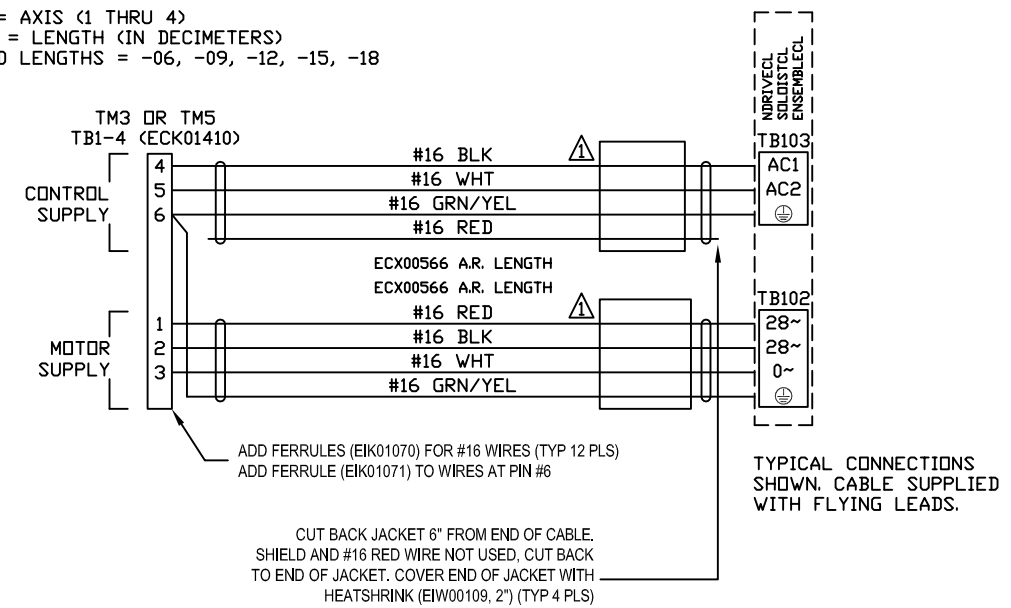
x = AXIS (1 THRU 4)
yy = LENGTH (IN DECIMETERS)
STD LENGTHS = -06, -09, -12, -15, -18



| REVISIONS | | | | |
|-----------|------|-----------------------|-------|-----------|
| REV. | ZONE | DESCRIPTION | DATE | DRAWN |
| A | | ADDED ECN8502 | 3/05 | LTL |
| B | | ADDED ECN9716 | 11/06 | TES |
| C | | ADDED ECN9938 | 2/07 | JFM |
| D | | ADDED ECN11690 | 3/09 | WG |
| E | | ADDED ECN11844 | 5/09 | MS |
| F | | ADDED ECN11844A,11959 | 7/09 | WG |
| G | | ADDED ECN 12411 | JFM | 1/13/2010 |

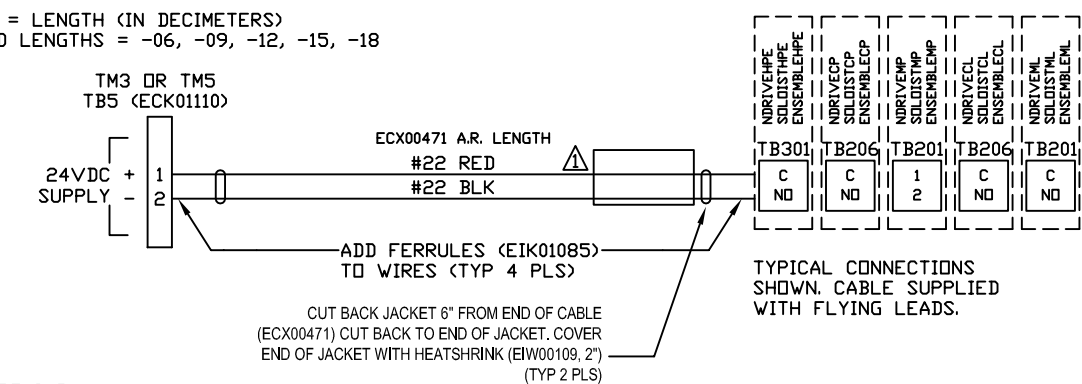
CxAL-yy: TM OUTPUT CABLE FOR MOTOR AND CONTROL SUPPLY (CL Drive)

x = AXIS (1 THRU 4)
yy = LENGTH (IN DECIMETERS)
STD LENGTHS = -06, -09, -12, -15, -18



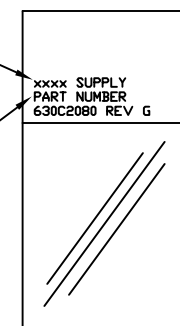
C24-yy: TM BRAKE CABLE FOR PS24-1 OPTION

yy = LENGTH (IN DECIMETERS)
STD LENGTHS = -06, -09, -12, -15, -18



⚠ LABELING

- xxxx = MOTOR -OR-
- CONTROL -OR-
- BRAKE
- CxAB-yy -OR-
- CxAL-yy -OR-
- CxAM-yy -OR-
- CxML-yy -OR-
- C24-yy



QTY OF X: XXXXX
CUSTOMER NAME: XXXXX
ORDER NUMBER: XXXXX
APPROVED BY: XXX RELEASE DATE: X-XX-XXXX
CUST FILE NAME: XXXXX 630C2080G1 XFMR PWR CBL.dwg

PROPRIETARY INFORMATION
THIS DRAWING IS THE PROPERTY
OF AEROTECH, INC. AND IS
SUBMITTED IN CONFIDENCE AND
SHALL NOT BE REPRODUCED NOR
COPIED NOR DISCLOSED TO OTHERS
UNDER PENALTY OF LAW.



AEROTECH, INC. 101 Zeta Drive
Pittsburgh, PA. 15238
(412)963-7470
www.aerotech.com

TOLERANCES ON
FRACTIONS DECIMALS ANGLES
0 TO 6 ± 1/32 .XX ± .01 ± 0-30°
OVER 6 ± 1/16 .XXX ± .005

(TM3 / TM5) TRANSFORMER MODULE
POWER CABLES

RMS FINISH EXCEPT AS NOTED

| | | |
|---------|-----|------|
| DRAWN | WG | 1/05 |
| CHECKED | DES | 1/05 |
| APPD. | JLD | 1/05 |

| | | |
|-----------|------|------|
| PART CODE | SIZE | REV. |
| - | C | G |
| 630C2080 | | |

SCALE NTS FILE NAME 630C2080G1.DWG SHEET 1 OF 1