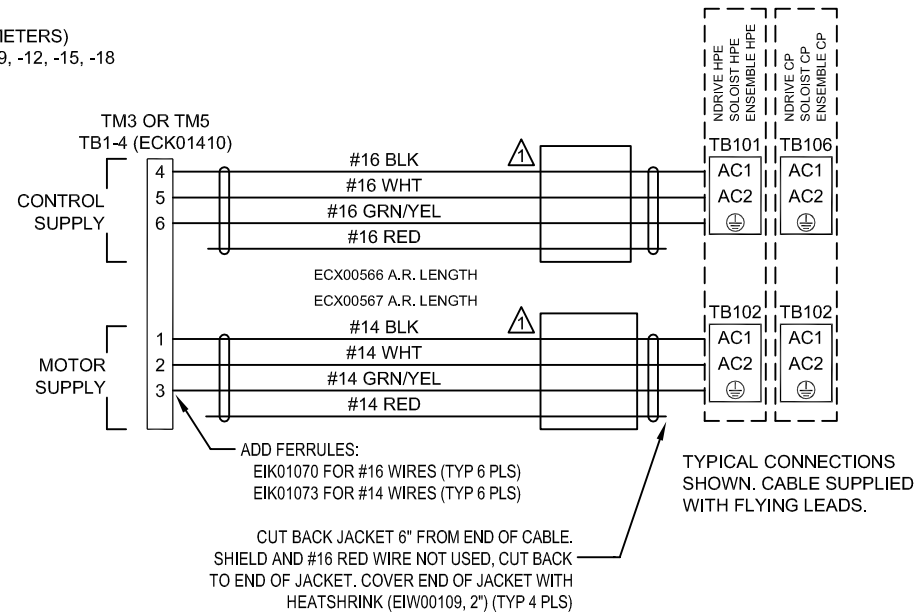


**CxAB-yy: TM OUTPUT CABLE FOR MOTOR AND CONTROL SUPPLY**

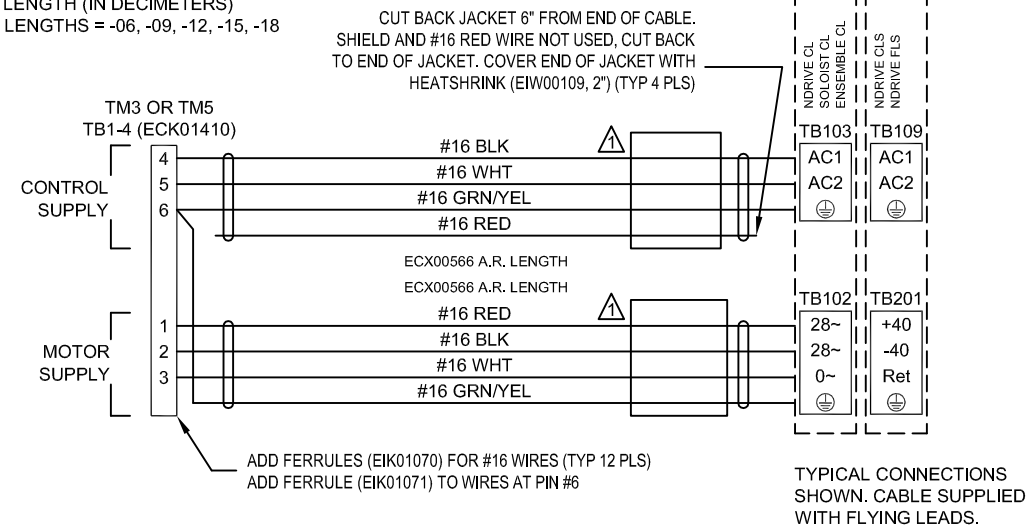
x = AXIS (1 THRU 4)  
yy = LENGTH (IN DECIMETERS)  
STD LENGTHS = -06, -09, -12, -15, -18



REVISIONS			
REV.	DESCRIPTION	DATE	DRAWN
A	ADDED ECN8502	3/05	LTL
B	ADDED ECN9716	11/06	TES
C	ADDED ECN9938	2/07	JFM
D	ADDED ECN11690	3/09	WG
E	ADDED ECN11844	5/09	MS
F	ADDED ECN11844A,11959	7/09	WG
G	ADDED ECN 12411	JFM	1/13/2010
H	ADDED ECN 16129	JFM	10/13/2014
J	ADDED ECN17204	2/16	AMO
K	ADDED ECN 17517	JFM	7/25/2016
L	ADDED ECO 2120	JFM	7/16/2018

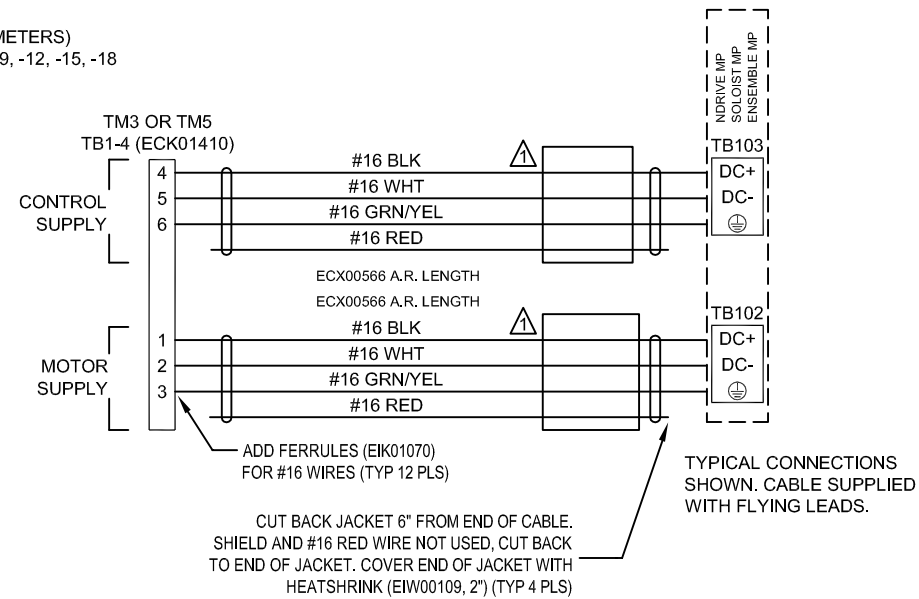
**CxAL-yy: TM OUTPUT CABLE FOR MOTOR AND CONTROL SUPPLY (CL/CLS/FLS Drive)**

x = AXIS (1 THRU 4)  
yy = LENGTH (IN DECIMETERS)  
STD LENGTHS = -06, -09, -12, -15, -18



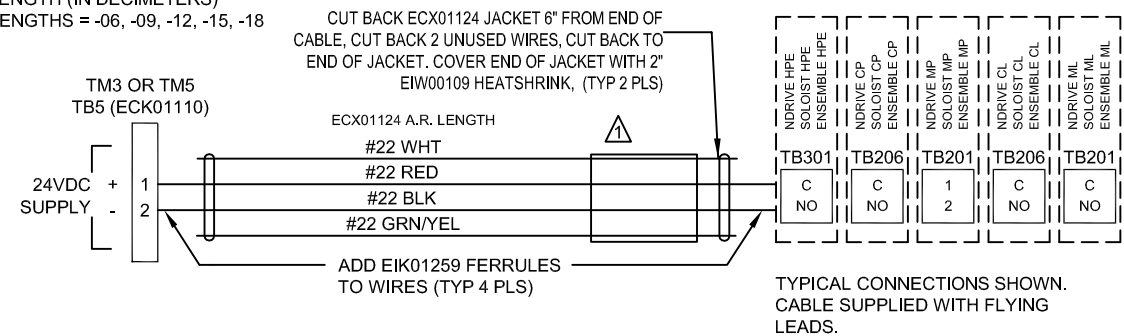
**CxAM-yy: TM OUTPUT CABLE FOR MOTOR AND CONTROL SUPPLY**

x = AXIS (1 THRU 4)  
yy = LENGTH (IN DECIMETERS)  
STD LENGTHS = -06, -09, -12, -15, -18



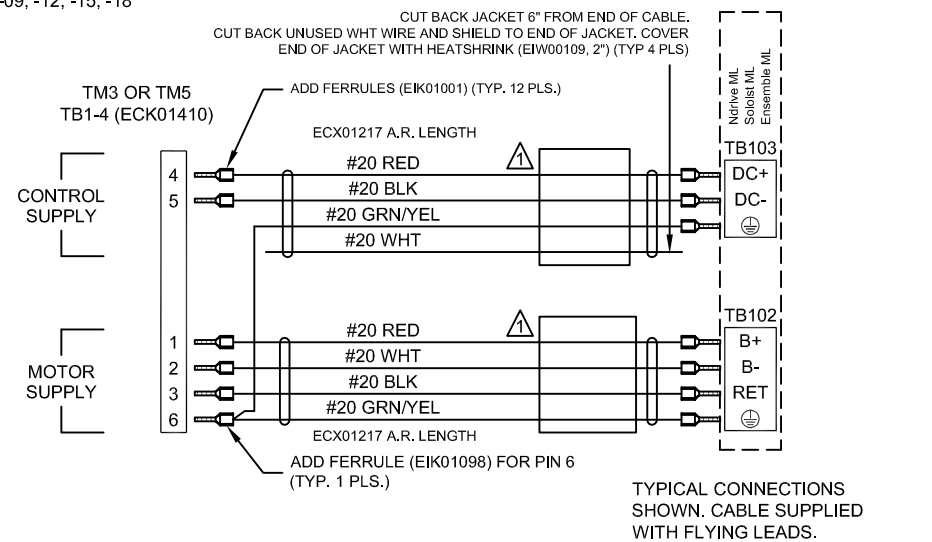
**C24-yy: TM BRAKE CABLE FOR PS24-1 OPTION**

yy = LENGTH (IN DECIMETERS)  
STD LENGTHS = -06, -09, -12, -15, -18

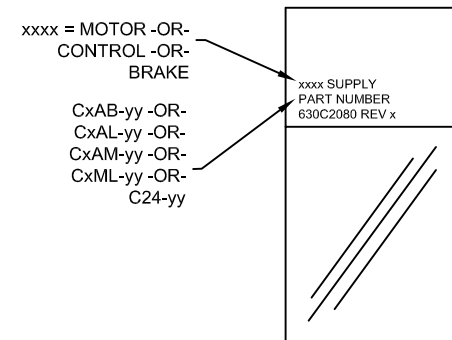


**CxML-yy: TM OUTPUT CABLE FOR MOTOR AND CONTROL SUPPLY (ML Drive)**

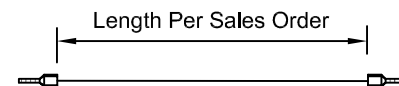
x = AXIS (1 THRU 4)  
yy = LENGTH (IN DECIMETERS)  
STD LENGTHS = -06, -09, -12, -15, -18



△ LABELING



△ CABLE DIM LOCATION



PROPRIETARY INFORMATION  
THIS DRAWING IS THE PROPERTY OF AEROTECH, INC. AND IS SUBMITTED IN CONFIDENCE AND SHALL NOT BE REPRODUCED NOR COPIED NOR DISCLOSED TO OTHERS UNDER PENALTY OF LAW.



AEROTECH, INC. 101 Zeta Drive  
Pittsburgh, PA. 15238  
(412)963-7470  
www.aerotech.com

TOLERANCES ON  
FRACTIONS DECIMALS ANGLES  
0 TO 6 1/32 .XX ±01 ± 0-30'  
OVER 6 1/16 .XXX ±005

RMS FINISH ✓ EXCEPT AS NOTED

DRAWN	WG	1/05
CHECKED	DES	1/05
APPD.	JLD	1/05

**TM3 / TM5 TRANSFORMER MODULE POWER CABLES**

PART CODE	SIZE	REV.
-	C	L
630C2080		
SCALE	NTS	FILE NAME
		630C2080.DWG
SHEET	1 OF 1	