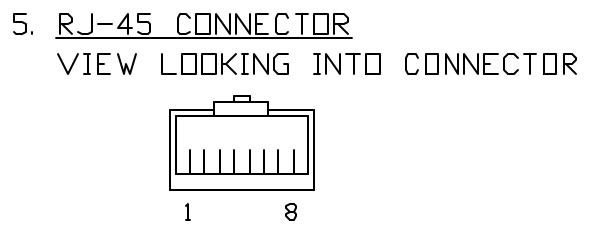
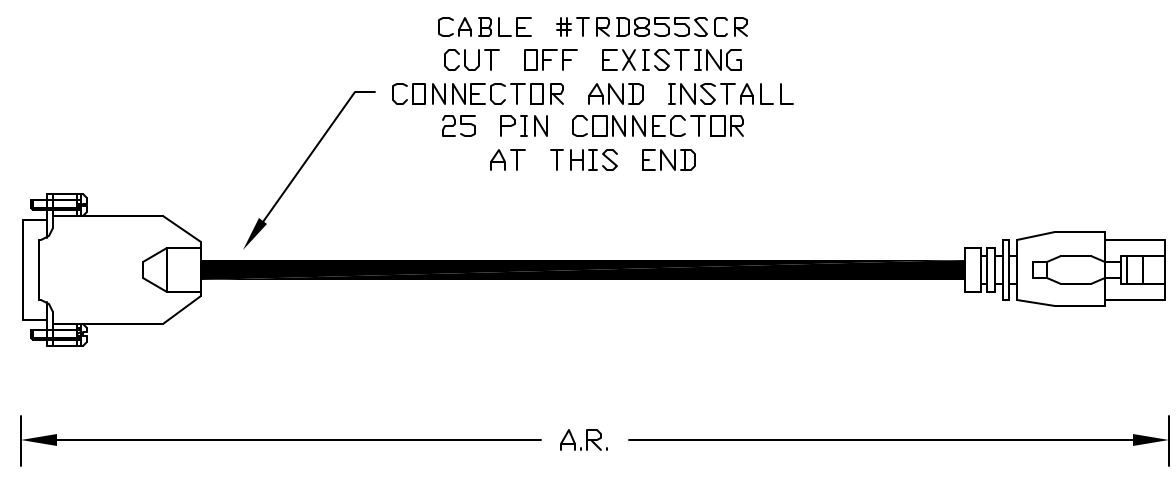
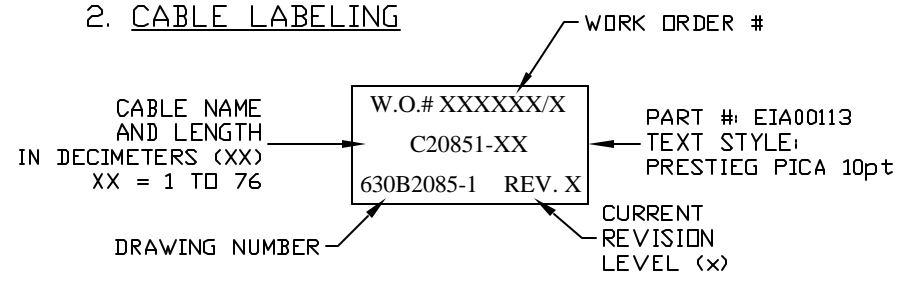
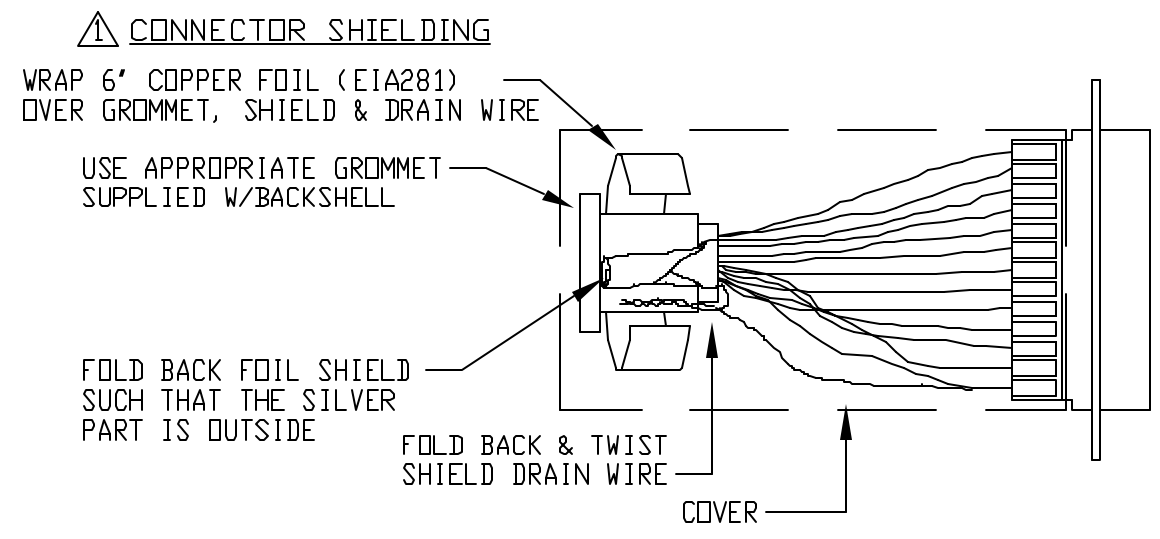
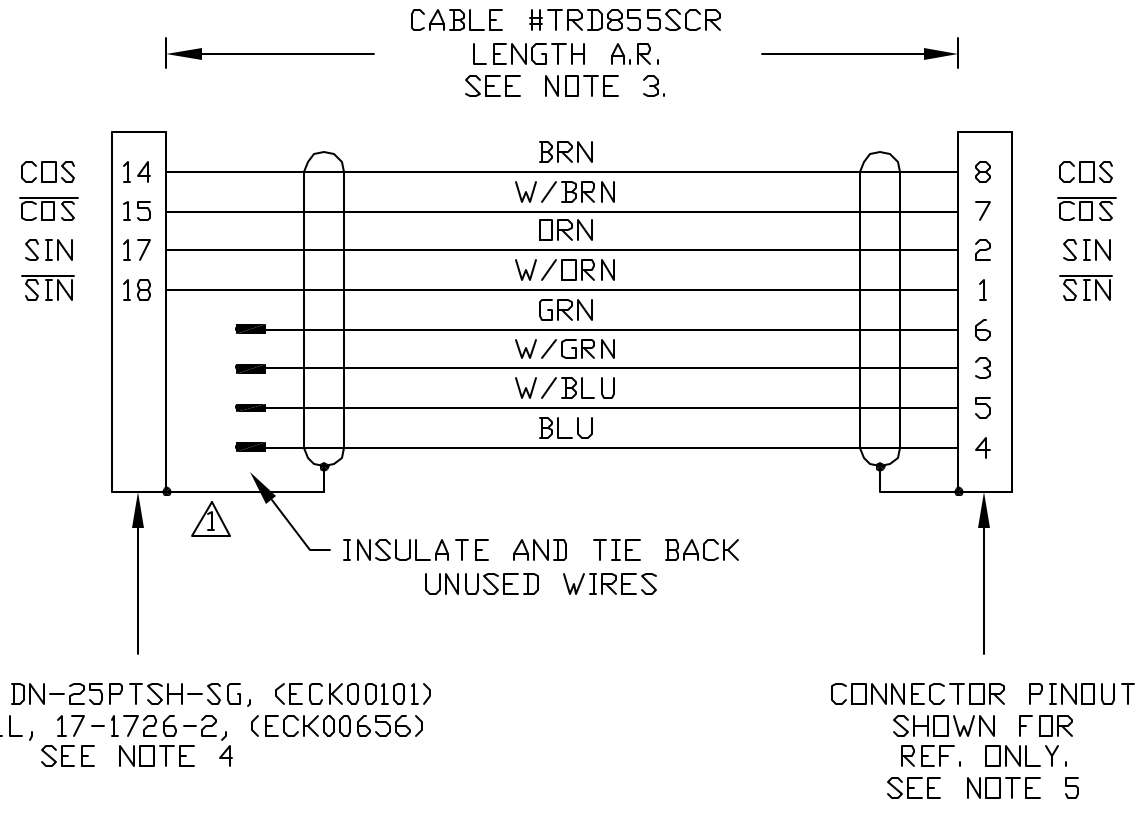
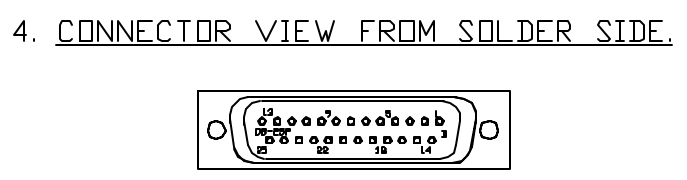


REVISIONS				
REV.	ZONE	DESCRIPTION	DATE	DRAWN



3. CABLE LENGTH  
CAUTION, CABLE LENGTHS (XX) ARE IN DECIMETERS  
EXAMPLE: C20851-3  
3 = 3 DECIMETERS (300mm) = 1FT.



PART CODE:

C20851-XX	C20851-1 TO -76 MAX LENGTH (DECIMETERS)
-----------	---

PROPRIETARY INFORMATION  
THIS DRAWING IS THE PROPERTY  
OF AEROTECH, INC. AND IS  
SUBMITTED IN CONFIDENCE AND  
SHALL NOT BE REPRODUCED NOR  
COPIED NOR DISCLOSED TO OTHERS  
UNDER PENALTY OF LAW.



AEROTECH, INC. 101 Zeta Drive  
Pittsburgh, PA. 15238  
(412)963-7470  
www.aerotech.com

TOLERANCES ON

FRACTIONS	DECIMALS	ANGLES
0 TO 6 ± 1/32	.XX ± .01	± 0-30'
OVER 6 ± 1/16	.XXX ± .005	

RMS FINISH  EXCEPT AS NOTED

PSO ENCODER CABLE  
(MAX LENGTH 76 DECIMETERS)  
CABLE: ENC SSI1-25DU-RJ45-MAX76DM

DRAWN	JRF	05/05	PART CODE	SIZE	REV.
CHECKED	DES	05/05	SEE ABOVE	B	-
APPD.	EJB	05/05	SCALE NTS	FILE NAME 630B2085-101.dwg	SHEET 1 OF 1

**630B2085-1**