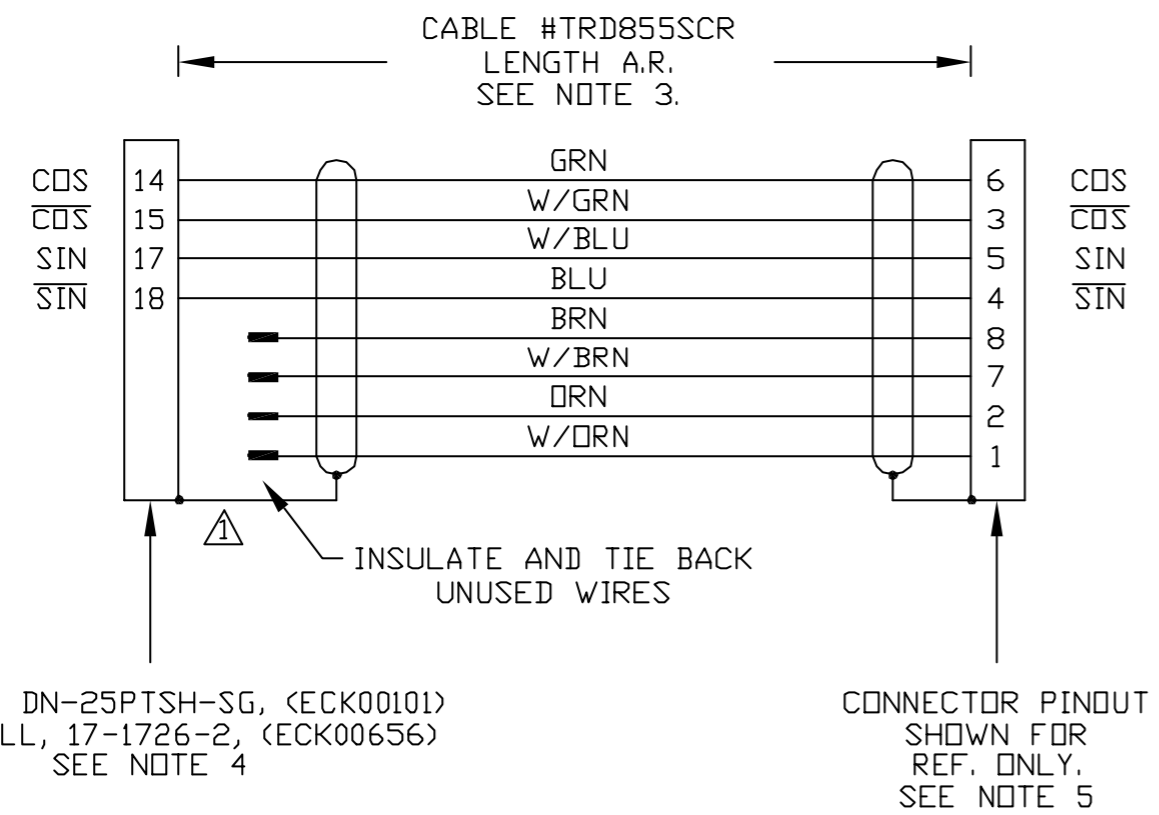
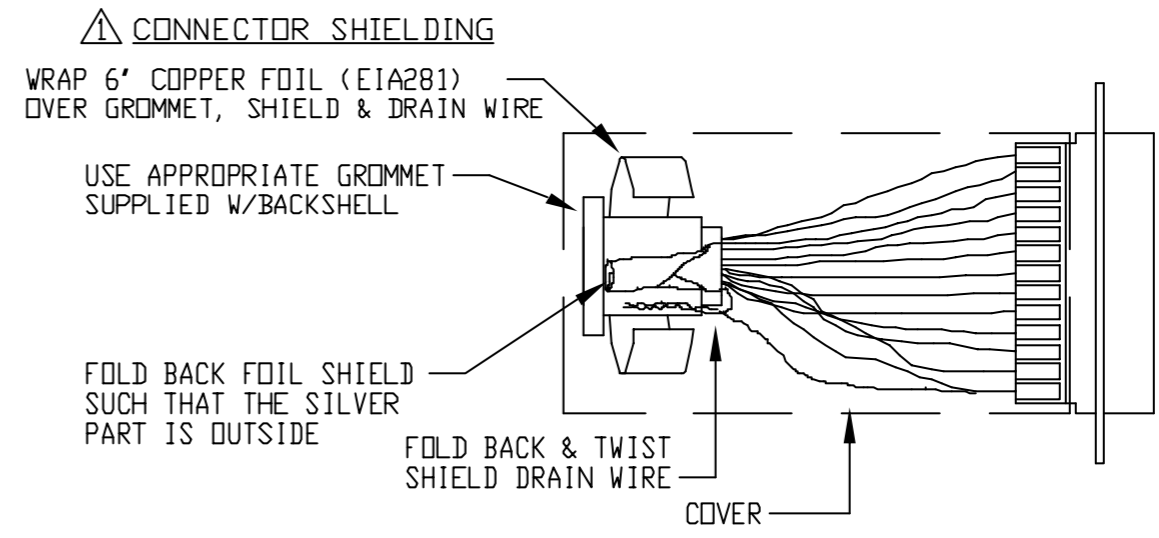


REVISIONS				
REV.	ZONE	DESCRIPTION	DATE	DRAWN



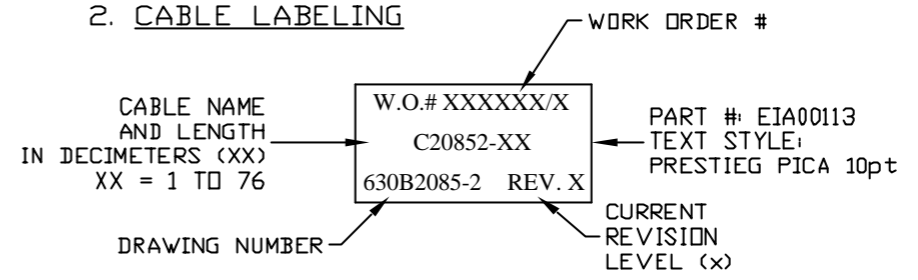
TO
NDRIVE
J302 OR J303
(SSINET2)



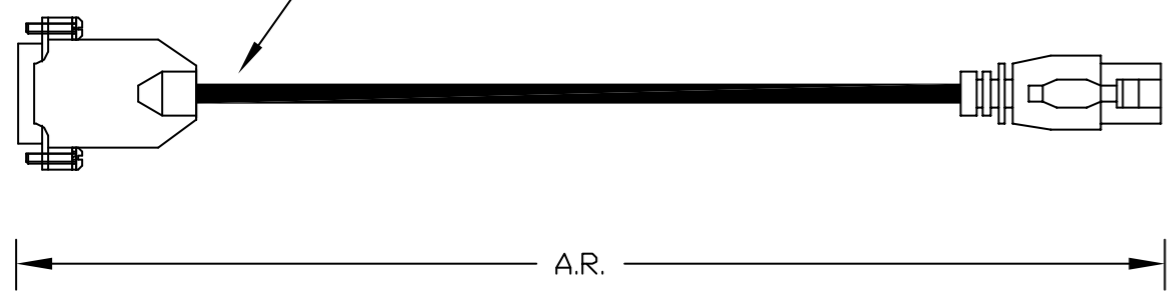
25 MALE, DN-25PTSH-SG, (ECK00101)
BACKSHELL, 17-1726-2, (ECK00656)
SEE NOTE 4

CONNECTOR PINOUT
SHOWN FOR
REF. ONLY.
SEE NOTE 5

2. CABLE LABELING

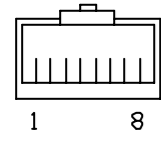


CABLE #TRD855SCR
CUT OFF EXISTING
CONNECTOR AND INSTALL
25 PIN CONNECTOR
AT THIS END



5. RJ-45 CONNECTOR

VIEW LOOKING INTO CONNECTOR



3. CABLE LENGTH

CAUTION, CABLE LENGTHS (XX) ARE IN DECIMETERS
EXAMPLE: C20852-3
3 = 3 DECIMETERS (300mm) = 1FT.

4. CONNECTOR VIEW FROM SOLDER SIDE.



PART CODE:

C20852-XX	C20852-1 TO -76 MAX LENGTH (DECIMETERS)
-----------	---

PROPRIETARY INFORMATION
THIS DRAWING IS THE PROPERTY
OF AEROTECH, INC. AND IS
SUBMITTED IN CONFIDENCE AND
SHALL NOT BE REPRODUCED NOR
COPIED NOR DISCLOSED TO OTHERS
UNDER PENALTY OF LAW.



AEROTECH, INC. 101 Zeta Drive
Pittsburgh, PA. 15238
(412)963-7470
www.aerotech.com

TOLERANCES ON
FRACTIONS DECIMALS ANGLES
0 TO 6 ± 1/32 .XX ± .01 ± 0-30'
OVER 6 ± 1/16 .XXX ± .005

PSO ENCODER CABLE
(MAX LENGTH 76 DECIMETERS)
CABLE: ENC SSI2-25DU-RJ45-MAX76DM

RMS FINISH EXCEPT AS NOTED

DRAWN	JRF	05/05
CHECKED	DES	05/05
APPD.	EJB	05/05

PART CODE	SIZE	REV.
SEE ABOVE	B	-
630B2085-2		
SCALE NTS	FILE NAME 630B2085-201.dwg	SHEET 1 OF 1