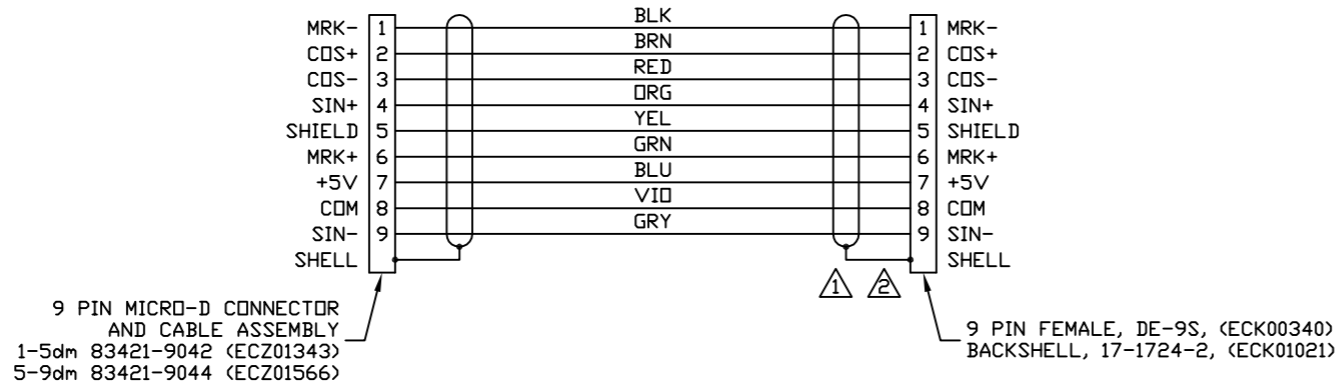


REVISIONS				
REV.	ZONE	DESCRIPTION	DATE	DRAWN



5 **CABLE LENGTH**
 CAUTION, CABLE LENGTHS (XX) ARE IN DECIMETERS
 EXAMPLE: C20931-5
 5 = 5 DECIMETERS (500mm) = 1.5FT

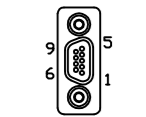
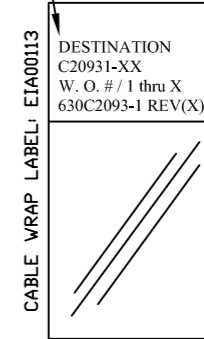
4 USE #5 GROMMET WITH 5 DOTS AS SHOWN BELOW WHICH IS SUPPLIED W/BACKSHELL



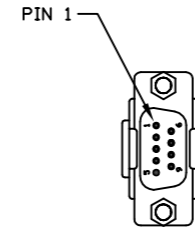
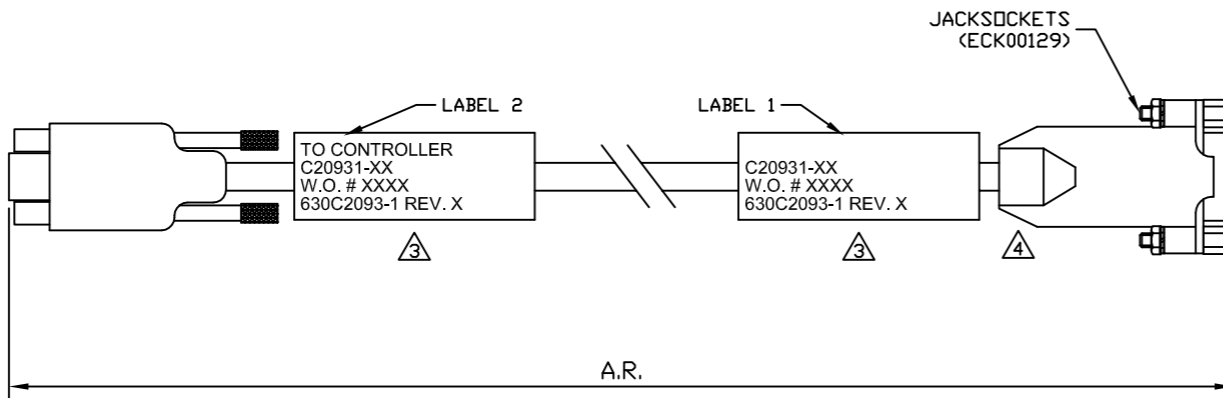
3 **CABLE LABELS**
 LABEL CABLES AS PER ASSEMBLY VIEWS BELOW

SEE LABEL 2 ONLY FOR DESTINATION

LABELS FOR C20931 CABLES:
 (2) REQUIRED,
 (1 AT EACH END)

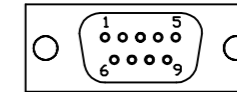


MATING SIDE



MATING SIDE

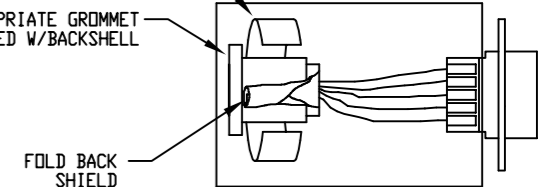
2 **CONNECTOR VIEW FROM SOLDER SIDE, SCALE NTS**



1 **CONNECTOR SHIELDING**

WRAP 3" COPPER FOIL (EIA281) OVER GROMMET & SHIELD

USE APPROPRIATE GROMMET SUPPLIED W/BACKSHELL



COVER

PART CODE:
 C20931-XX C20931 - 1 TO 9 MAX LENGTH (DECIMETERS)

PROPRIETARY INFORMATION
 THIS DRAWING IS THE PROPERTY
 OF AEROTECH, INC. AND IS
 SUBMITTED IN CONFIDENCE AND
 SHALL NOT BE REPRODUCED NOR
 COPIED NOR DISCLOSED TO OTHERS
 UNDER PENALTY OF LAW.



AEROTECH, INC. 101 Zeta Drive
 Pittsburgh, PA. 15238
 (412)963-7470
 www.aerotech.com

TOLERANCES ON
 FRACTIONS DECIMALS ANGLES
 0 TO 6 ± 1/32 .XX ± .01 ± 0-30'
 OVER 6 ± 1/16 .XXX ± .005

**ENCODER FEEDBACK CABLE
 (MAX LENGTH 9 DECIMETERS)
 CABLE: ENC FB-9MDUT-9DUJS-MAX9DM**

RMS FINISH EXCEPT AS NOTED

DRAWN	JRF	07/05
CHECKED	DES	07/05
APPD.	JFM	07/05

PART CODE	SIZE	REV.
C20931-XX	C	-
SCALE NTS		FILE NAME 630C2093-101.dwg
SHEET 1 OF 1		